

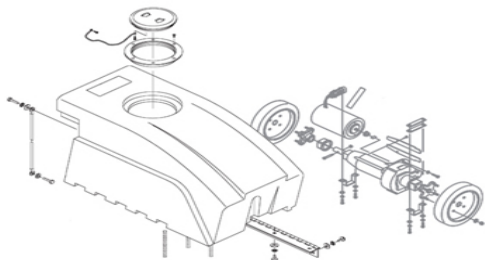


Model Part No.:  
608336  
608337 - Pac  
609245 - Can. Pac

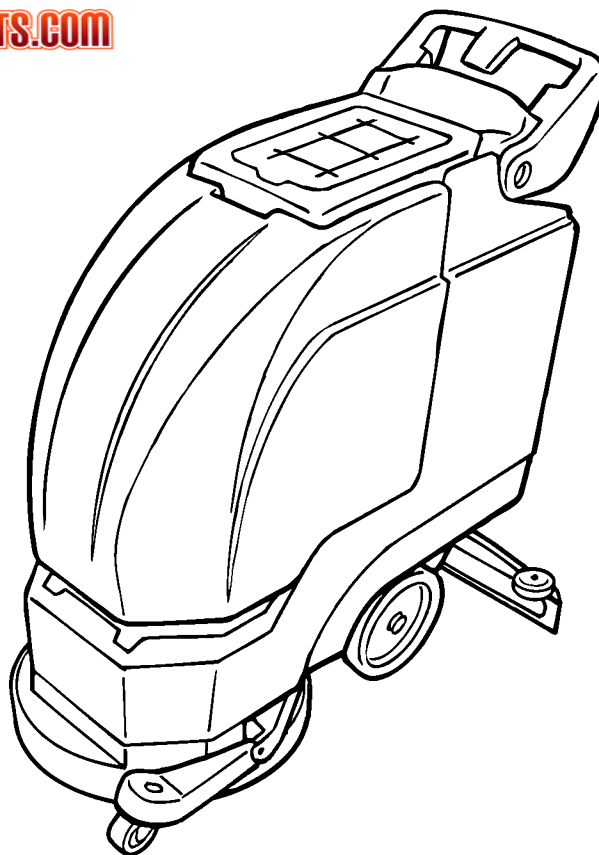
# SPEED SCRUB® 1701 PLUS

BATTERY AUTOMATIC SCRUBBER  
FREGADORA AUTOMÁTICA BATERÍA  
BALAYEUSE AUTOMATIQUE DE BATTERIE

OPERATOR AND PARTS MANUAL  
MANUAL DEL OPERADOR Y REPUESTOS  
MANUEL OPÉRATEUR ET PIÉCES



**FLOOR**EQUIPMENT**PARTS.COM**



# OPERATION

---


This manual is furnished with each new model. It provides necessary operation and maintenance instructions and an illustrated parts list.

**Read this manual completely and understand the machine before operating or servicing it.**

When ordering replacement parts, use the illustrated parts lists section in this manual. Before ordering parts or supplies, be sure to have your machine model number and serial number available. Parts and supplies may be ordered by phone or mail from any authorized parts and service center, distributor or from any of the manufacturer's subsidiaries.


This machine will provide excellent service. However, the best results will be obtained at minimum costs if:

- The machine is operated with reasonable care.
- The machine is maintained regularly - per the machine maintenance instructions provided.
- The machine is maintained with manufacturer supplied or equivalent parts.



**PROTECT THE ENVIRONMENT**

Please dispose of packaging materials, old machine components such as batteries, hazardous fluids such as antifreeze and oil, in a safe environmentally way according to your local waste disposal regulations.



Always remember to recycle.

---

## MACHINE DATA

---

Please fill out at time of installation for future reference.

Model No.- \_\_\_\_\_

Install. Date - \_\_\_\_\_

Serial No.- \_\_\_\_\_

### Tennant Company

PO Box 1452

Minneapolis, MN 55440

Phone: (800) 553-8033 or (763) 513-2850

[www.nobles.com](http://www.nobles.com)

Nobles, the Nobles logo and the Speed Scrub logo are registered United States trademarks of Tennant Company.

Specifications and parts are subject to change without notice.

Copyright ©1999, 2000, 2005, 2007 Tennant Company. All rights reserved.  
Printed in U.S.A.

<b>TABLE OF CONTENTS</b>	<b>(ESPAÑOL....23)</b>	<b>(FRANÇAIS....45)</b>	
<b>SAFETY PRECAUTIONS</b> .....	<b>4</b>	<b>TRANSPORTING MACHINE</b> .....	<b>18</b>
<b>SAFETY LABELS</b> .....	<b>5</b>	<b>STORING MACHINE</b> .....	<b>18</b>
<b>MACHINE COMPONENTS</b> .....	<b>6</b>	<b>RECOMMENDED STOCK ITEMS</b> .....	<b>18</b>
<b>CONTROL PANEL SYMBOLS</b> .....	<b>6</b>	<b>TROUBLE SHOOTING</b> .....	<b>19</b>
<b>MACHINE INSTALLATION</b> .....	<b>7</b>	<b>SPECIFICATIONS</b> .....	<b>21</b>
UNCRATING MACHINE .....	7	<b>MACHINE DIMENSIONS</b> .....	<b>22</b>
INSTALLING BATTERIES .....	7	<b>ELECTRICAL DIAGRAMS</b> .....	<b>68</b>
<b>MACHINE SETUP</b> .....	<b>8</b>	<b>PARTS LIST</b> .....	<b>70</b>
ATTACHING SQUEEGEE ASSEMBLY .....	8	REPLACEMENT BRUSHES AND PAD	
INSTALLING PAD DRIVER OR BRUSH .....	9	DRIVER GROUP .....	70
REMOVING PAD DRIVER OR BRUSH .....	10	SOLUTION TANK GROUP .....	72
FILLING SOLUTION TANK .....	10	RECOVERY TANK GROUP .....	74
ADJUSTING CONTROL HANDLE HEIGHT .....	11	WHEEL GROUP .....	76
<b>MACHINE OPERATION</b> .....	<b>11</b>	SCRUB HEAD GROUP .....	78
PRE-OPERATION CHECKS .....	11	PLUMBING GROUP .....	80
OPERATING MACHINE .....	11	VACUUM MOTOR GROUP .....	82
OPERATING ES (OPTION) .....	12	SQUEEGEE GROUP .....	84
WHILE OPERATING MACHINE .....	12	CONTROL HANDLE GROUP .....	86
OPERATING ACCESSORY TOOLS		CONTROL CONSOLE GROUP .....	87
(OPTIONAL) .....	13	BATTERY AND CHARGER GROUP .....	88
CIRCUIT BREAKERS .....	13	<b>OPTIONS</b> .....	<b>90</b>
<b>MACHINE ADJUSTMENTS</b> .....	<b>13</b>	ES (EXTENDED SCRUB) KIT .....	90
ADJUSTING SOLUTION FLOW .....	13	WAND PUMP KIT .....	92
ADJUSTING PAD PRESSURE .....	14	HOUR METER AND LOW VOLTAGE	
ADJUSTING SQUEEGEE LIFT CABLE .....	14	INTERRUPTER KITS .....	94
<b>DRAINING TANKS</b> .....	<b>14</b>	WET PICK-UP TOOL KIT .....	95
DRAINING RECOVERY TANK .....	14	DELUXE POWER WAND GROUP .....	96
DRAINING SOLUTION TANK .....	15	POWER WAND GROUP .....	98
<b>BATTERY CHARGING</b> .....	<b>15</b>	POWER WAND HOSE GROUP .....	100
<b>MACHINE MAINTENANCE</b> .....	<b>16</b>	QUICK CHANGE BATTERY KIT .....	77
DAILY MAINTENANCE .....	16	BATTERY CONNECTOR MOUNT KIT .....	78
WEEKLY MAINTENANCE .....	16		
MONTHLY MAINTENANCE .....	17		
QUARTERLY MAINTENANCE .....	17		
BATTERY MAINTENANCE .....	17		

---


## SAFETY PRECAUTIONS

---

This machine is intended for commercial use. It is designed exclusively to scrub hard floors in an indoor environment and is not constructed for any other use. Use only recommended pads, brushes and commercially approved floor cleaners intended for machine application.

All operators must read, understand and practice the following safety precautions.

The following warning alert symbol and the "FOR SAFETY" heading are used throughout this manual as indicated in their description:

 **WARNING:** To warn of hazards or unsafe practices which could result in severe personal injury or death.

**FOR SAFETY:** To identify actions which must be followed for safe operation of equipment.

---

Failure to follow these warnings may result in personal injury, electrical shock, fire or explosion.

 **WARNING:** Fire Or Explosion Hazard:

- Never Use Flammable Liquids Or Operate Machine in Or Near Flammable Liquids, Vapors Or Combustible Dusts.

*This machine is not equipped with explosion proof motors. The electric motors will spark upon start up and during operation which could cause a flash fire or explosion if machine is used in an area where flammable vapors/liquids or combustible dusts are present.*

- Do Not Pick Up Flammable Materials Or Reactive Metals.
- Batteries Emit Hydrogen Gas. Keep Sparks And Open Flame Away. Keep Battery Compartment Open When Charging.

 **WARNING:** Electrical Shock Hazard. Disconnect Battery Cables Before Servicing Machine.

 **WARNING:** Spinning Brush. Keep Hands Away. Turn Off Power Before Working On Machine.

---

The following information signals potentially dangerous conditions to the operator or equipment:

**FOR SAFETY:**

1. Do not operate machine:
  - With flammable liquids or near flammable vapors as an explosion or flash fire may occur.
  - Unless trained and authorized.
  - Unless operator manual is read and understood.
  - If not in proper operating condition.
2. Before operating machine:
  - Make sure all safety devices are in place and operate properly.
3. When using machine:
  - Go slow on inclines and slippery surfaces.
  - Wear non-slip shoes.
  - Reduce speed when turning.
  - Report machine damage or faulty operation immediately.
  - Never allow children to play on or around.
  - Follow mixing and handling instructions on chemical containers.
4. Before leaving or servicing machine:
  - Stop on level surface.
  - Turn machine off.
5. When servicing machine:
  - Avoid moving parts. Do not wear loose jackets, shirts, or sleeves.
  - Disconnect battery connections before working on machine.
  - Wear protective gloves and eye protection when handling batteries or battery cables.
  - Avoid contact with battery acid.
  - Do not power spray or hose off machine. Electrical malfunction may occur.
  - Use manufacturer supplied or approved replacement parts.
  - All repairs must be performed by a qualified service person.
  - Do not modify the machine from its original design.

## 6. When transporting machine:

- Turn machine off.
- Do not lift machine when batteries are installed.
- Get assistance when lifting machine.
- Use a recommended ramp when loading/unloading on/off truck or trailer.
- Use tie-down straps to secure machine to truck or trailer.
- Put scrub head in the lowered position.

## SAFETY LABELS

The safety label appears on the machine in the location indicated. Replace label if it is missing or becomes damaged or illegible.

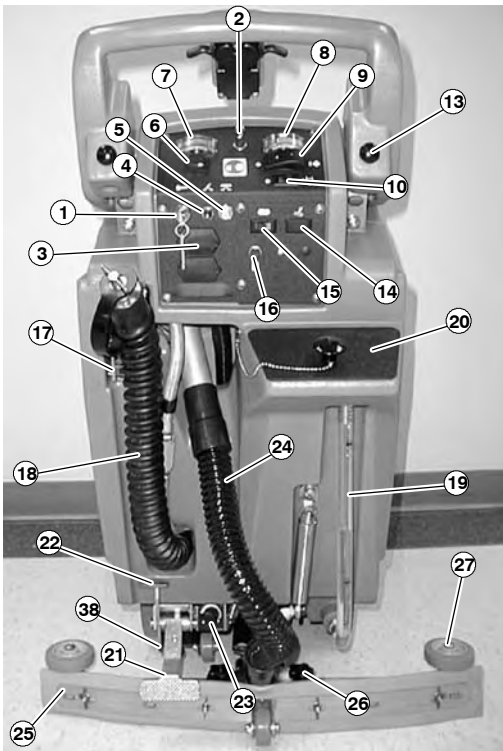
### WARNING LABEL - LOCATED ON THE RECOVERY TANK COVER.

	<b>⚠ WARNING</b>	<b>⚠ AVERTISSEMENT</b>	<b>⚠ ADVERTENCIA</b>
	<b>EXPLOSION, FIRE AND SHOCK HAZARD. AVOID INJURY.</b> <ul style="list-style-type: none"> <li>• Do Not Use or Pick Up Flammable Materials.</li> <li>• Do Not Use Near Flammable Liquids, Vapors or Combustible Dusts.</li> <li>• Keep Sparks and Open Flame Away When Charging Batteries. Keep Battery Hood Open When Charging.</li> <li>• Disconnect Battery Cables and Charger Cord Before Servicing.</li> </ul>	<b>RISQUE D'EXPLOSION, D'INCENDIE ET DE DÉCHARGE. ÉVITEZ LES BLESSURES.</b> <ul style="list-style-type: none"> <li>• N'utilisez Pas ou Ne Ramassez Pas de Matériaux Inflammables.</li> <li>• N'utilisez Pas Près de Liquides, Vapeurs ou Poussières Inflammables.</li> <li>• Éloignez les Sources d'Étincelles ou de Flamme Ouverte Lors du Chargement des Batteries. Laissez Ouvert le Capot du Compartiment des Batteries Lors de la Mise en Charge.</li> <li>• Débranchez les Câbles de Batterie et la Cordon du Chargeur Avant l'Entretien.</li> </ul>	<b>PELIGRO DE EXPLOSIÓN, FUEGO, DESCARGA EVITE LESIONES.</b> <ul style="list-style-type: none"> <li>• No Use Ó Recoja Materiales Flamables.</li> <li>• No Use Cerca De Líquidos Flamables, Vapores Ó Materiales Combustibles.</li> <li>• Mantenga Chispas Y Fuego Alejados Mientras Carga Baterías. Mantenga Tapa De Batería Abierta Mientras Carga.</li> <li>• Desconecte Cable De Batería Y Cable Del Cargador Antes Del Mantenimiento.</li> </ul>
			
			
			








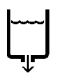


# OPERATION

## MACHINE COMPONENTS



- |  |   |  |
|--|---|--|
| <ul style="list-style-type: none"> <li>1. Key Switch</li> <li>2. Power ON/OFF Indicator Light</li> <li>3. Hour Meter (Opt.)</li> <li>4. Main Circuit Breaker</li> <li>5. Brush Circuit Breaker</li> <li>6. Brush Release Button</li> <li>7. Brush Pressure Meter</li> <li>8. Battery Meter</li> <li>9. Vacuum ON/OFF Switch</li> <li>10. Solution ON/OFF Switch</li> <li>11. Squeegee Lift Knob</li> <li>12. Control Handle</li> <li>13. Control Handle Height Adjustment Knobs</li> </ul> | <ul style="list-style-type: none"> <li>14. Wand Kit ON/OFF Switch (Opt.)</li> <li>15. ES ON/OFF Switch (ES Model)</li> <li>16. Pump On Light (ES Model)</li> <li>17. Charger Plug</li> <li>18. Recovery Tank Drain Hose</li> <li>19. Solution Tank Drain Hose With Level Indicator</li> <li>20. Solution Fill Port Cover</li> <li>21. Scrub Head Lift Pedal</li> <li>22. Scrub Head Release Lift Pedal</li> <li>23. Solution Flow Adjustment Knob</li> <li>24. Squeegee Vacuum Hose</li> <li>25. Squeegee Assembly</li> <li>26. Squeegee Thumb Knobs</li> <li>27. Wall Rollers</li> </ul> | <ul style="list-style-type: none"> <li>28. Brush Trigger</li> <li>29. Recovery Tank Lid</li> <li>30. Recovery Tank</li> <li>31. Battery Compartment Hood</li> <li>32. Scrub Head</li> <li>33. Scrub Head Skirt</li> <li>34. Transport Caster</li> <li>35. Main Wheels</li> <li>36. Wand Kit Solution Hose Coupler (Opt.)</li> <li>37. Solution Tank</li> <li>38. Pad Pressure Adjustment Knob</li> </ul> |
|--|---|--|

## CONTROL PANEL SYMBOLS

 Main Power Indicator Light	 Vacuum Switch	 Brush Motor 35A Circuit Breaker	 Battery Charge Meter
 Key Switch	 Solution Switch	 Main Power 20A Circuit Breaker	 Read Manual Before Operating

---

## MACHINE INSTALLATION

---

### UNCRATING MACHINE

Carefully check carton for signs of damage. Report any damage at once to carrier.

Check Machine Contents to ensure package is complete. Contact distributor for missing items.

Machine Contents:

- 1 - Battery Cable #602871
- 1 - Wire Asm. #6X24" Black #603208
- 2 - 12VDC 130AH Batteries #130869 (included with machine PAC)
- 1 - Battery Charger, 24V/15A 120V #603553 (included with machine PAC)

To uncrate your machine, remove shipping straps and carefully lift or make a ramp to remove machine from pallet. Do not roll machine off pallet, damage may result.

**FOR SAFETY: Get assistance when lifting machine. Do not lift machine when batteries are installed.**

Raise scrub head to transport position before maneuvering machine. Step down firmly on scrub head lift pedal to raise (Figure 1).

**NOTE:** To prevent scrub head skirt damage, always keep machine in transport position when pad driver is not installed.



FIG. 1

**ATTENTION: Do not roll machine off pallet, damage may occur.**

**ATTENTION: To prevent possible machine damage, install batteries AFTER removing machine from shipping pallet.**

Squeegee assembly is packaged with machine.

Batteries, battery charger, brush, pad driver and pads must be purchased separately. Consult an authorized distributor for specific pads and brushes.

**ATTENTION: The use of supplies other than those recommended by manufacturer may cause damage.**

---

### INSTALLING BATTERIES

**⚠ WARNING: Fire Or Explosion Hazard. Batteries Emit Hydrogen Gas. Keep Sparks And Open Flame Away. Keep Battery Compartment Open When Charging.**

**FOR SAFETY: When servicing machine, wear protective gloves and eye protection when handling batteries or battery cables. Avoid contact with battery acid.**

#### Battery Specifications:

Two 12 volt, deep cycle batteries. Consult with an Authorized Distributor for specific batteries. Maximum battery dimensions are 178mm (7 in.) W x 330mm (13 in.) L x 254mm (10 in.) H.

1. Park machine on a level surface, turn off all switches, and remove key.
2. Remove battery hood to access battery compartment. Then remove metal battery tray and loose battery cable from compartment.
3. Disconnect vacuum hose from recovery tank snout. Carefully install bottom battery into compartment with battery posts positioned towards rear of machine (Figure 2).



FIG. 2

**ATTENTION: Do not drop battery into compartment, battery and machine housing damage may result. This damage is not covered by warranty.**

4. Connect red battery cable coming from machine to positive (+) post of bottom battery. Then connect black jumper cable to negative (-) post (Figure 4).

# OPERATION

5. After connecting cables to bottom battery, carefully hang metal battery tray on studs located above bottom battery. Place top battery into tray with posts positioned towards rear of machine. Secure top battery with strap (Figure 3).



FIG. 3

6. Connect black battery cable coming from machine to negative (-) post of top battery. Then connect opposite end of black jumper cable to positive (+) post (Figure 4).

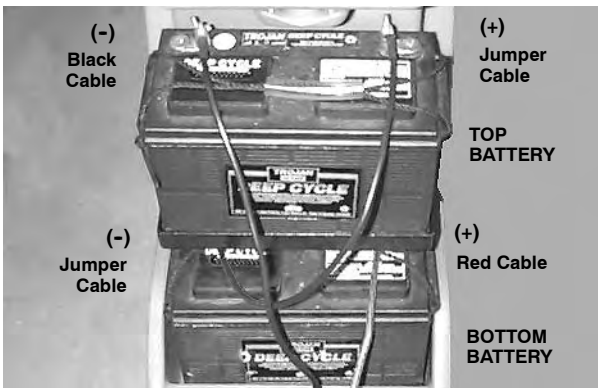


FIG. 4

7. Reconnect vacuum hose to recovery tank snout as shown (Figure 5).



FIG. 5

8. After batteries are properly installed, turn on key and vacuum switch and check battery meter charge level. Charge if necessary (See BATTERY CHARGING) (Figure 6).

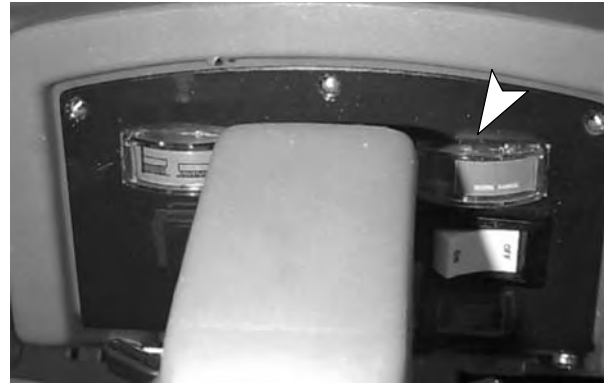


FIG. 6

## MACHINE SETUP

### ATTACHING SQUEEGEE ASSEMBLY

1. Turn key to the off position.

**FOR SAFETY: Before leaving or servicing machine, stop on level surface and turn off machine.**

2. Raise squeegee mount bracket by moving squeegee lift knob to the left (Figure 7).



FIG. 7

3. Loosen two thumb knobs on squeegee assembly and slide squeegee into slots on squeegee mount bracket (Figure 8).



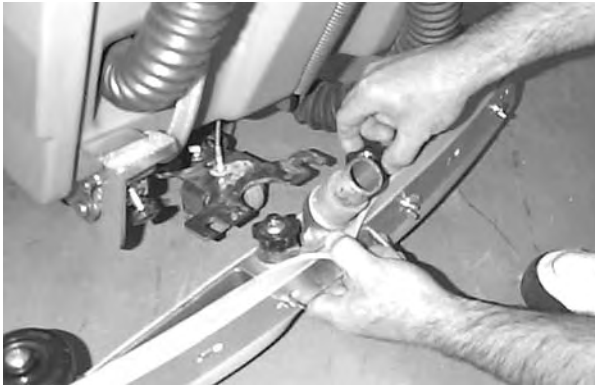


FIG. 8

4. Tighten thumb knobs securely.
5. Connect vacuum hose from machine to squeegee assembly (Figure 9).

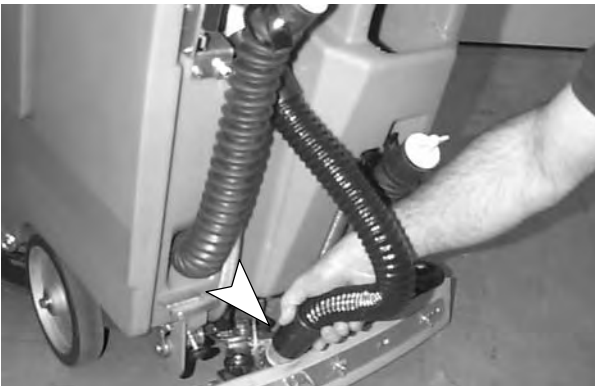


FIG. 9

## INSTALLING PAD DRIVER OR BRUSH

1. Select a recommended pad or brush that best meets your cleaning needs.

**NOTE:** Consult an authorized distributor for pad/brush recommendations.

2. Attach pad to pad driver before mounting driver to motor hub. Secure pad with plastic centerlock ring (Figure 10).



FIG. 10

3. Turn key switch on (Figure 11).

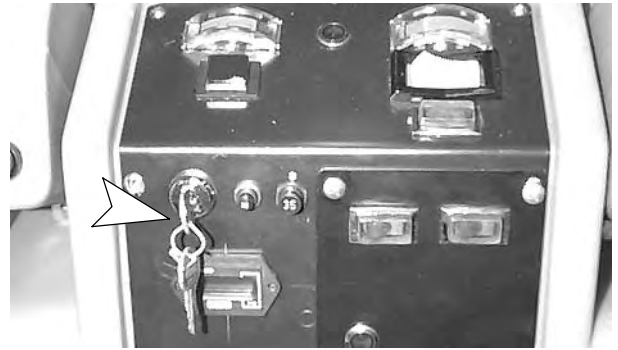


FIG. 11

4. Place the pad driver/brush on the floor in front of the scrub head (Figure 12).



FIG. 12

5. Tilt the machine back on its rear wheels and center the scrub head down over the pad driver/brush (Figure 12).
6. **IMPORTANT STEP:** Release the brush lift pedal from the transport position (Figure 13). Align the motor hub down inside the pad driver/brush.



FIG. 13

7. Pull the triggers to engage the pad driver/brush. **Make sure the front wheel is in the UP position** (Figure 14).

**NOTE:** When a pad driver/brush is not installed, make sure to keep the machine in transport position to prevent skirt damage.

# OPERATION



FIG. 14

**NOTE:** Before installing pad driver or brush make sure mounting surface is clean. A clean surface will ease pad driver removal later.

## REMOVING PAD DRIVER OR BRUSH

1. Raise scrub head to transport position. Step down firmly on scrub head lift pedal to raise (Figure 15).



FIG. 15

2. Turn key switch on.
3. Tilt machine back on it's rear wheels.
4. While pressing the "brush release button", pull and release the brush trigger quickly. The pad driver/brush will automatically spin off motor hub. If it doesn't release, repeat step (Figure 16).

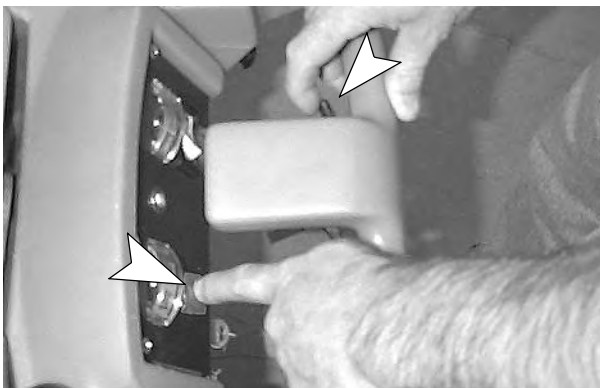


FIG. 16

**NOTE:** To prevent scrub head skirt damage, always keep machine in transport position when pad driver or brush is not installed.

## FILLING SOLUTION TANK

1. Transport machine to filling station. Raise squeegee and scrub head when transporting.
2. Turn off key switch.
3. Remove solution tank fill port cover.
4. Fill solution tank with 28L (7.5 gal) of clean water, 60°C (140°F) maximum temperature. To fill with bucket, use a bucket with a spout (Figure 17).



FIG. 17

**NOTE:** If filling with a bucket be certain that bucket is clean. This will prevent possible solution line clogs.

5. Add cleaning chemical. See proper dilution ratio instructions on chemical container.
6. Replace solution tank fill port cover.

**FOR SAFETY: When using machine, follow mixing and handling instructions on chemical containers.**

**ATTENTION: Use only recommended detergents. Machine damage due to improper detergent usage will void the manufacturer's warranty. Contact your Sales Representative for detergent recommendations.**

**⚠ WARNING: Fire Or Explosion Hazard. Never Use Flammable Liquids Or Operate Machine in Or Near Flammable Liquids, Vapors Or Combustible Dusts.**

7. If machine is equipped with ES (Extended Scrub) Option, the recovery tank can be partially filled to extend scrub time.
  - a. Remove recovery tank lid and fill tank with 13L (3.5 gal) of clean water, 60°C (140°F) maximum temperature. Close lid.
  - b. Make sure ES switch is turned on when operating machine (Figure 18).

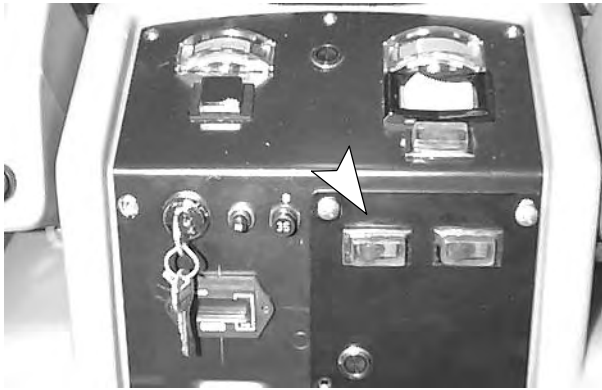


FIG. 18

- c. The ES light will glow when the ES pump is recycling.

## ADJUSTING CONTROL HANDLE HEIGHT

The control handle has three height settings to accommodate a comfortable operating height.

1. Locate two control handle height adjustments knobs on handle (Figure 19).
2. Pull both knobs and raise or lower handle, release knobs to lock (Figure 19).



FIG. 19

## MACHINE OPERATION

**FOR SAFETY: Do not operate machine unless operator manual is read and understood.**

### PRE-OPERATION CHECKS

- Sweep and dust mop floor to remove particles and other debris.
- Check battery meter charge level to ensure batteries are fully charged (See BATTERY CHARGING).
- Check condition of pad or brush.

- Check condition of squeegee blades.

### OPERATING MACHINE

1. Release brush lift pedal from transport position by stepping down on scrub head release pedal (Figure 20).



FIG. 20

2. Lower squeegee assembly by moving squeegee lift knob to the right (Figure 21).



FIG. 21

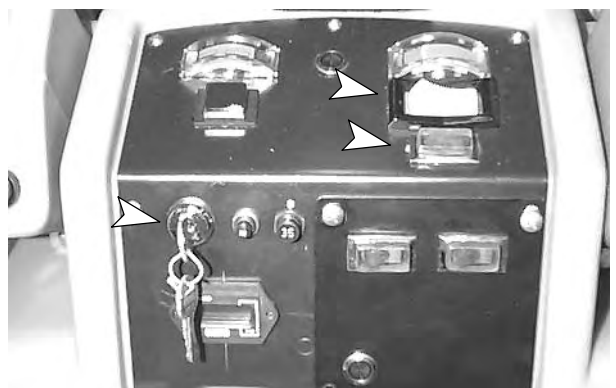


FIG. 22

**NOTE:** The solution flow and brush will not start until brush triggers are pulled.

4. Pull brush triggers and begin walking with machine. The brush will propel the machine forward allowing little effort maneuvering the machine (Figure 23).

## OPERATION

---



FIG. 23

**NOTE:** On rough surfaces it may be necessary to reduce brush pressure.

5. Check the brush meter pressure when scrubbing. Only operate machine in green zone. Never operate machine in red zone (Figure 24).

**NOTE:** If brush pressure adjustment is required, see MACHINE ADJUSTMENTS.



FIG. 24

**ATTENTION:** Do not operate machine with pad pressure meter in red zone, circuit breakers will trip and floor damage may occur.

6. To operate machine in reverse, simply pull the machine backwards while pulling triggers.
7. To stop scrubbing, release brush triggers, turn off all switches, and raise scrub head and squeegee.

---

### OPERATING ES (OPTION)

ES Option extends scrubbing time by reusing recovered water. The recovered water is filtered and recycled back into the solution tank for reuse.

1. Fill recovery tank with 13L (3.5 gal) when filling solution tank for operation.

**⚠ WARNING: Fire Or Explosion Hazard. Never Use Flammable Liquids Or Operate Machine in Or Near Flammable Liquids, Vapors Or Combustible Dusts.**

2. Turn on ES switch. During operation the ES pump will automatically start recycling when ES pump on light turns on (Figure 25).

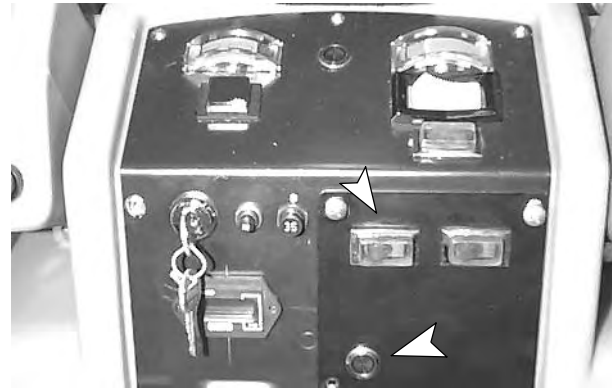


FIG. 25

3. When finished scrubbing, drain and rinse solution tank and clean ES filter (See DRAINING TANKS).

---

### WHILE OPERATING MACHINE

**FOR SAFETY:** When using machine, go slow on inclines and slippery surfaces.

1. Observe amount of solution flow on floor. If solution flow adjustment is needed, see MACHINE ADJUSTMENTS.
2. Periodically check for foam buildup in recovery tank (*look through clear lid*). If excessive foam is developing, pour a recommended foam control solution into recovery tank.

**ATTENTION:** Do not allow foam to enter the float shut-off screen, vacuum motor damage will result. Foam will not activate the float shut-off screen.

3. Always operate with caution when scrubbing around walls or obstacles.
4. If squeegee leaves streaks, raise and wipe blades with a cloth. Pre-sweep area to prevent streaking. If squeegee adjustment is necessary, see MACHINE ADJUSTMENTS.
5. Overlap each pass by 50mm (2 in).
6. Change or turn over pads when dirty.
7. Stay clear of floor obstructions, such as electrical plates or grates, they will destroy pads.
8. During brief stops, you do not have to turn off any switches, the brushes and solution flow will automatically stop when triggers are released.

- Periodically check battery meter discharge level. When needle drops to the red zone, recharge batteries.

**ATTENTION: Do not operate machine with battery meter in red zone, battery damage will result.**

**⚠ WARNING: Fire Or Explosion Hazard. Do Not Pick Up Flammable Materials Or Reactive Metals.**

- On last scrubbing pass, turn off solution switch just prior to stopping machine. This will allow total recovery pick up.
- When solution tank runs dry, drain recovery tank (See DRAINING TANKS).

## OPERATING ACCESSORY TOOLS (OPTIONAL)

- Attach accessory solution hose to quick coupler.
- Disconnect squeegee hose from inlet tube and replace with accessory vacuum hose.
- Connect hoses to wand.
- Turn on key, wand pump and vacuum switches (Figure 26).

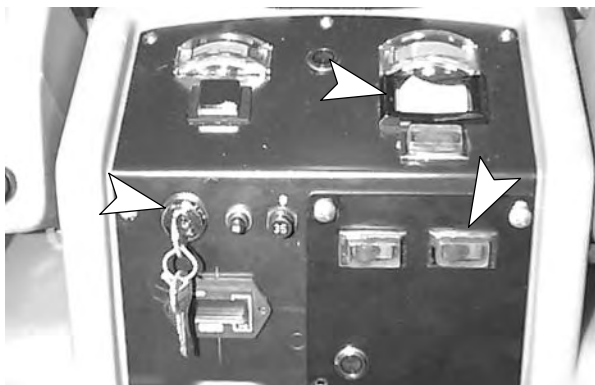


FIG. 26

- Operate accessory tool as normal.

**⚠ WARNING: Fire Or Explosion Hazard. Do Not Pick Up Flammable Materials Or Reactive Metals.**

## CIRCUIT BREAKERS

The machine is equipped with two circuit breakers to protect machine from damage. The Main (20amp) and Brush (35amp) circuit breakers.

If a circuit breakers should trip during operation, determine cause, allow motor to cool and then manually reset breaker (See TROUBLE SHOOTING).

Brush motor circuit breakers will trip due to excessive overload on pad. Reduce pad pressure or replace pad if breaker trips. Circuit breakers are located on control console (Figure 27).



FIG. 27

## MACHINE ADJUSTMENTS

**FOR SAFETY: Before leaving or servicing machine, stop on level surface and turn off machine.**

### ADJUSTING SOLUTION FLOW

To increase or decrease the maximum solution flow, turn adjustment knob. Adjustment knob is located near brush lift pedal (Figure 28).



FIG. 28

# OPERATION

---

## ADJUSTING PAD PRESSURE

**NOTE:** On rough surfaces it may be necessary to reduce brush pressure.

To adjust pad pressure, turn adjustment knob clockwise to decrease or counterclockwise to increase pad pressure. Adjustment knob is located below brush lift pedal (Figure 29).



FIG. 29

## ADJUSTING SQUEEGEE LIFT CABLE

To adjust squeegee lift cable, loosen lock nuts and turn adjustment stem on squeegee cable. Retighten lock nuts after adjusting (Figure 30).

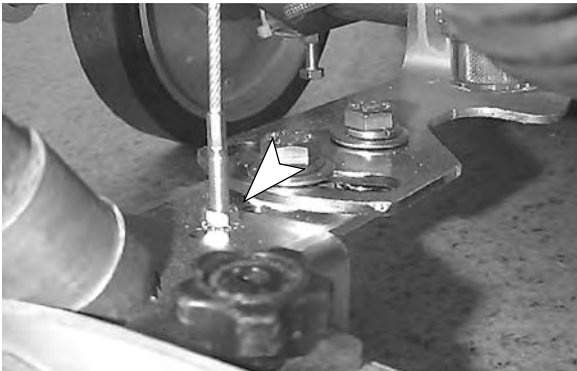


FIG. 30

## DRAINING TANKS

---

### When to drain recovery tank:

- After each use.
- Between solution tank fill ups.
- When solution flow stops during operation.
- When ball float screen is activated.
- When squeegee starts trailing water.

**NOTE:** If using the ES recycling system, be certain to drain and rinse both tanks after each use.

**FOR SAFETY:** Before leaving or servicing machine, stop on level surface and turn off machine.

### DRAINING RECOVERY TANK

**ATTENTION:** Do not allow foam to enter the float shut-off screen, vacuum motor damage will result. Foam will not activate the float shut-off screen.

1. Push machine to floor drain and turn off all switches. Remove left side drain hose from holder, position hose over drain, twist loose, and remove drain hose cap (Figure 31).



FIG. 31

**NOTE:** If using a bucket to drain machine, do not use same bucket for filling solution tank. This will prevent possible solution line clogs.

2. Open clear recovery tank lid and rinse tank, ball float screen and ES filter if equipped. Remove and rinse ball float screen and ES filter if they are excessively dirty. Replace screen and filter securely.
3. Replace drain hose cap securely when empty.

## DRAINING SOLUTION TANK

To drain unused cleaning solution or recycled solution from solution tank, follow steps below:

1. Remove clear drain hose from hose barb, position hose over drain (Figure 32).



FIG. 32

2. Rinse out solution tank and solution flow system with clean water to prevent clogging due to chemical buildup.
3. Replace drain hose securely on hose barb when empty.

## BATTERY CHARGING

**NOTE:** *Recharge batteries ONLY after a total of 30 minutes of use or more. This will prolong battery life.*

The following charging instructions are intended for the 24V charger supplied with the machine. Only use a charger with the following specifications to prevent battery damage.

### CHARGER SPECIFICATIONS:

- OUTPUT VOLTAGE - 24 VOLTS
- OUTPUT CURRENT - 25 AMPS MAXIMUM
- AUTOMATIC SHUTOFF CIRCUIT
- FOR DEEP CYCLE BATTERY CHARGING

**NOTE:** *For optimum machine operation, keep batteries charged at all times. Never let batteries set in a discharge condition for lengthy periods.*

**⚠ WARNING: Fire Or Explosion Hazard. Batteries Emit Hydrogen Gas. Keep Sparks And Open Flame Away. Keep Battery Compartment Open When Charging.**

**FOR SAFETY:** When servicing machine, wear protective gloves and eye protection when handling batteries or battery cables. Avoid contact with battery acid.

1. Transport machine to a flat, dry surface in a well-ventilated area for charging.
2. Turn off all switches and key.

**FOR SAFETY: Before leaving or servicing machine, stop on level surface and turn off machine.**

3. Remove battery compartment hood.
4. Before charging, check the fluid level (A) in each battery cell. If the battery plates (B) are exposed, add just enough distilled water to cover plates. **DO NOT OVERFILL.** Overfilled batteries can overflow during charging due to fluid expansion. Replace cell caps before charging (Figure 33).

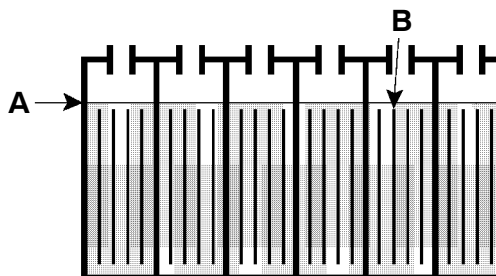


FIG. 33

5. With charger's power supply cord unplugged, connect charger to machine (Figure 34).

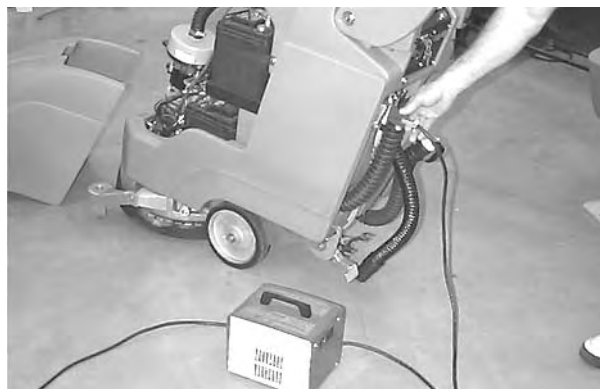


FIG. 34

**NOTE:** *Once charger is connected to machine, machine becomes inoperable.*

6. Plug charger's power supply cord into a grounded wall outlet (Figure 35).

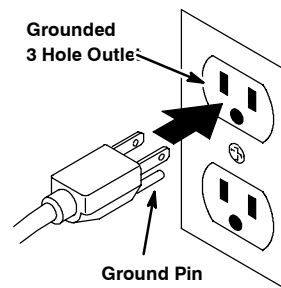


FIG. 35

# OPERATION

**FOR SAFETY: Do not operate charger unless cord is properly grounded.**

**⚠ WARNING: Fire Or Explosion Hazard. Batteries Emit Hydrogen Gas. Keep Sparks And Open Flame Away. Keep Battery Compartment Open When Charging.**

7. The charger will automatically begin charging and shut off when fully charged.
8. After charger has turned off, unplug charger from machine then disconnect charger from wall outlet.
9. After charging, recheck the battery fluid level (A) in each battery cell. The level should be 1 cm (3/8 in) from the bottom of sight tubes (B). Add distilled water if needed. **DO NOT OVERFILL** (Figure 36).

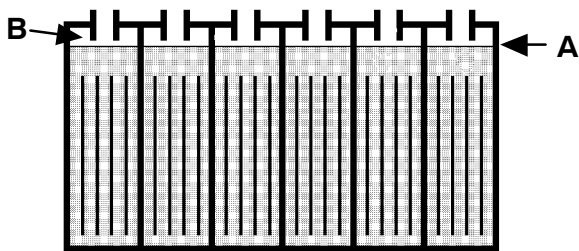


FIG. 36

## MACHINE MAINTENANCE

To keep machine in good working condition, simply follow the daily, weekly and monthly maintenance procedures.

**FOR SAFETY: When leaving or servicing machine, stop on level surface and turn off machine.**

**⚠ WARNING: Electrical Shock Hazard. Disconnect Battery Cables Before Servicing Machine.**

**ATTENTION: Contact an Authorized Service Center for machine repairs. Machine repairs performed by other than an authorized person will void your warranty.**

**NOTE: If equipped with optional hour meter, record machine hours when service was performed.**

### DAILY MAINTENANCE (After Every Use)

1. Remove and clean pad or brush. Never use soiled pads when cleaning. Replace pad when it becomes worn or loaded with residue.
2. Drain and rinse both tanks thoroughly.

3. Open clear lid, remove and clean the ball float screen. Replace screen securely (Figure 37).



FIG. 37

4. Open clear lid, remove and clean ES filter, if equipped. Replace filter securely.
5. Raise squeegee and wipe it off with a dry cloth. Store squeegee in the up position to prevent squeegee damage.
6. Clean machine housing with a nonabrasive, nonsolvent cleaner.
7. Recharge batteries if needed.

### WEEKLY MAINTENANCE (Every 20 Hours of Operation)

1. Flush out tanks and solution lines. Pour 750mL (24 oz) of an acetic acid solution with 11.3L (3 gal) of hot water into solution tank. Over a floor drain, activate solution flow briefly to fill solution line. Shut off power and let machine set over night. Rinse with clean water afterwards.
2. Remove inline strainer filter and rinse out. Before removing filter, be certain solution tank is empty. Filter is located under machine at rear (Figure 38).



FIG. 38

3. Check fluid level in battery cells (See BATTERY MAINTENANCE).
4. Clean battery tops to prevent corrosion (See BATTERY MAINTENANCE).
5. Check for loose or corroded battery cables.



**MONTHLY MAINTENANCE  
(Every 80 Hours of Operation)**

1. Lubricate wheel grease fittings with a water resistant grease.
2. Lubricate all linkage pivot points with silicone spray then coat with a water resistant grease to maintain a smooth operation.
3. Check machine for water leaks and loose nuts and bolts.

**QUARTERLY MAINTENANCE  
(Every 250 Hours of Operation)**

Check motor(s) for carbon brush wear, replace brushes if worn to a length of 10mm (0.38 in) or less.

Contact your Authorized Service Center for carbon brush inspection.

**FOR SAFETY: When servicing machine all repairs must be performed by a qualified service person.**

**BATTERY MAINTENANCE**

**⚠ WARNING: Fire Or Explosion Hazard. Batteries Emit Hydrogen Gas. Keep Sparks And Open Flame Away. Keep Battery Compartment Open When Charging.**

**FOR SAFETY: When servicing machine, wear protective gloves and eye protection when handling batteries or battery cables. Avoid contact with battery acid.**

1. Always follow proper charging instructions (See BATTERY CHARGING).
2. Check fluid level (A) in each battery cell. The fluid level should be 1 cm (3/8 in.) from the bottom of sight tubes after charging. Add distilled water if needed. **DO NOT OVERFILL.** Overfilled batteries can overflow during charging due to fluid expansion (Figure 39).

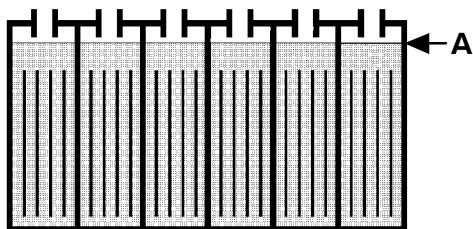


FIG. 39

3. After charging batteries, measure the specific gravity in each battery cell using a hydrometer (Figure 40). This will determine the charge level and condition of the batteries. If one or more of the battery cells test lower than the other battery cell (0.050 or more), the cell is damaged, shortened, or is about to fail.

**NOTE: Do not take reading immediately after adding distilled water. The water and acid must be thoroughly mixed in order for accurate reading.**



FIG. 40

SPECIFIC GRAVITY at 27°C (80°F)	BATTERY CHARGE
1.265	100% CHARGED
1.223	75% CHARGED
1.185	50% CHARGED
1.148	25% CHARGED
1.110	DISCHARGED

**NOTE: Add or subtract 0.004 gravity reading for each 6°C (10°F) above or below 27°C (80°F).**

4. Keep battery tops and terminals clean and dry.
  - a. Mix a strong solution of baking soda and water (Figure 41).



FIG. 41

- b. Brush solution sparingly over battery tops, terminal and cable connectors.

**NOTE: Do not allow baking soda solution to enter battery cells.**

## OPERATION

---

- c. Use wire brush to clean terminal post and cable connections.
  - d. After cleaning, apply a coating of clear battery post protectant to terminals and cable connections.
5. Check for loose or worn cables. Replace if worn.

---

## TRANSPORTING MACHINE

---

When transporting machine by use of trailer or truck, be certain to follow tie-down procedures below:

**FOR SAFETY: When using machine, go slow on inclines and slippery surfaces.**

1. Remove squeegee from machine and raise scrub head. Leave pad or brush installed.
2. Load machine using a recommended loading ramp.
3. Position front of machine up against front of trailer or truck. Once machine is positioned, lower brush head.
4. Place a block behind the wheels.
5. Place tie-down straps over top of machine and secure straps to floor. It may be necessary to install tie-down brackets to the floor of your trailer or truck.

**FOR SAFETY: When transporting machine, use a recommended ramp when loading/unloading into/off truck or trailer, use tie-down straps to secure machine to truck or trailer.**

---

## STORING MACHINE

---

1. Before storing machine, be certain to rinse tanks and drain machine of all water.
2. Store machine in a dry area with squeegee removed and scrub head in the raised position.
3. Remove recovery tank lid to promote air circulation.

**ATTENTION: If storing machine in freezing temperatures, be certain to drain machine of all water. Damage due to freezing temperatures is not covered by warranty.**


**⚠ WARNING: Do Not Use Outdoors. Do Not Expose To Rain. Store Indoors.**

---

## RECOMMENDED STOCK ITEMS

---

Refer to Standard Parts section for recommended stock items. Stock Items are clearly identified with a bullet preceding the parts description. See example below:



Ref.	Part No.	Description	Qty.
1	701103	ARM, STAND PIPE	1
2	180612	● FLOAT, SHUTOFF	1
3	250197	NIPPLE	1
4	101714	● GASKET	1
5	210240	NUT, FLANGED	1

**TROUBLE SHOOTING**

<b>PROBLEM</b>	<b>CAUSE</b>	<b>SOLUTION</b>
No power, nothing runs.	Faulty key switch.	Contact Service Center.
	Batteries need charging.	See BATTERY CHARGING.
	Faulty battery(s).	Replace battery(s).
	Loose battery cable.	Tighten loose cable.
	MAIN circuit breaker has tripped.	Determine cause and reset circuit breaker button.
Brush motor does not run.	Faulty brush trigger switch.	Contact Service Center.
	Brush triggers not pulled.	Pull brush triggers.
	Brush circuit breaker has tripped.	Clean or replace pad and reset brush circuit breaker button.
	Faulty brush motor or wiring.	Contact Service Center.
	Worn carbon brushes.	Contact Service Center.
	Faulty brush solenoid.	Contact Service Center.
Vacuum motor does not run.	Faulty vacuum switch.	Contact Service Center.
	Main circuit breaker has tripped.	Remove obstruction and reset circuit breaker button.
	Faulty vacuum motor or wiring.	Contact Service Center.
	Worn carbon brushes.	Contact Service Center.
Little or no solution flow.	Solution switch is not activated.	Turn on solution switch.
	Solution line or solution tank filter is clogged.	Remove hose and blow compressed air through it. Flush solution tank after each use.
	Solution valve or solenoid is clogged.	Remove valve or solenoid and clean. Do not scratch inside of valve.
	Faulty solution switch or solenoid.	Contact Service Center.
	Solution flow adjustment knob needs adjusting.	Turn solution flow adjustment knob to desired setting.
	ES Option: ES filter is clogged.	Remove and clean ES filter.
	ES Option: Faulty ES pump.	Contact Service Center.
Short run time.	Batteries not fully charged.	Charge batteries.
	Bad cell in one or more batteries.	Replace battery.
	Batteries need maintenance.	See BATTERY MAINTENANCE.
	Faulty charger.	Repair or replace battery charger.

# OPERATION

## TROUBLE SHOOTING - continued

PROBLEM	CAUSE	SOLUTION
Poor water pick up.	Recovery tank is full and ball float has been activated.	Empty recovery tank.
	Ball float screen inside recovery tank is clogged.	Remove screen and clean.
	Clogged squeegee.	Clean squeegee.
	Worn squeegee blades.	Replace squeegee blades.
	Loose squeegee thumbscrews.	Tighten thumbscrews.
	Vacuum hose connections are loose or hose has a hole.	Push hose cuffs firmly on connections. Replace hose if damaged.
	Clogged vacuum hose.	Remove clogged debris.
	Recovery tank inlet hole is obstructed.	Empty recovery tank and tilt tank sideways to access inlet hole, remove obstruction.
	Defective tank gasket.	Replace gasket.
	Loose drain hose plug.	Tighten drain plug.
	Recovery tank lid not in place.	Properly position lid.
	Loose vacuum motor.	Contact Service Center.
Battery charge level is low.	Charge batteries. Do not run machine when battery meter is in the red zone.	

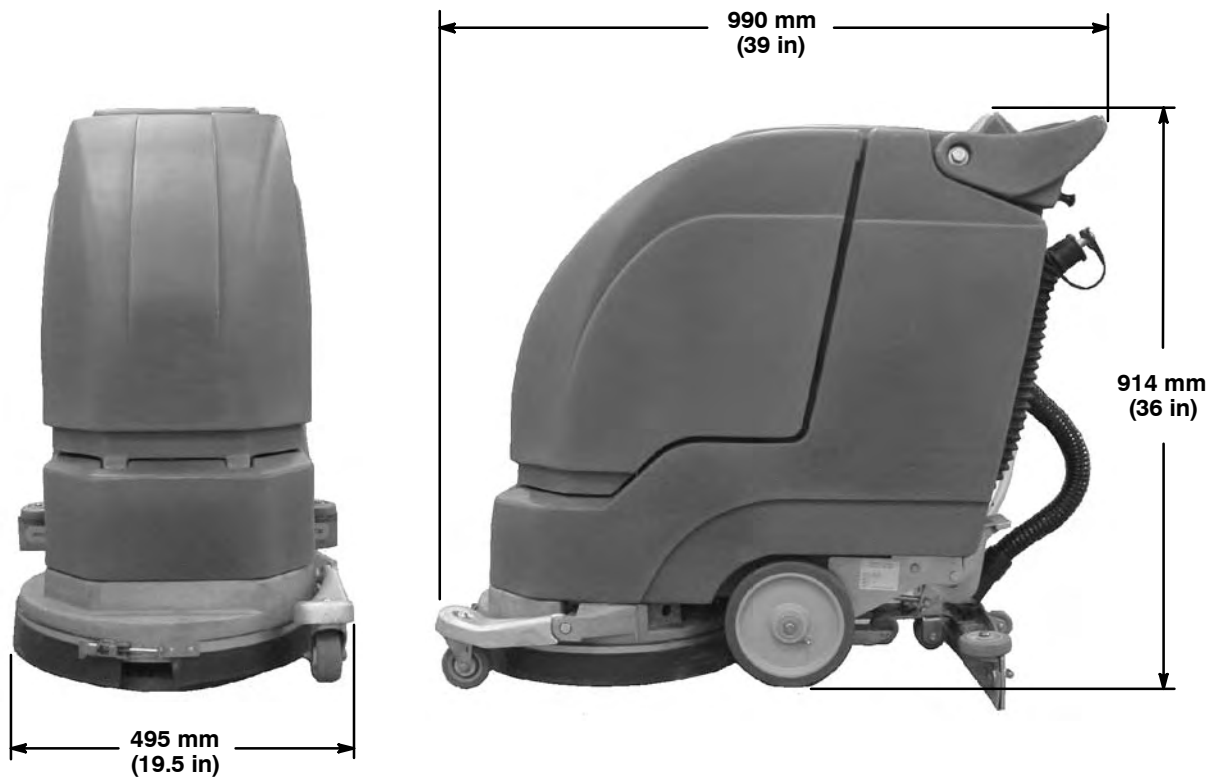
## SPECIFICATIONS

MODEL	Speed Scrub 1701 Plus
LENGTH	990 mm (39 in)
WIDTH	495 mm (19.5 in)
HEIGHT	914 mm (36 in)
WEIGHT	71Kg (158 lbs), 131Kg (290 lbs) with batteries
RECOVERY TANK CAPACITY	28.5L (7.5 gal)
SOLUTION TANK CAPACITY	28.5L (7.5 gal)
ES OPTION SOLUTION FILL CAPACITY	42.5L (11.25 gal)
DRIVE SYSTEM	Brush driven
CLEANING RATE	1375m <sup>2</sup> per hour (14,800 sq. ft.)
CLEANING PATH WIDTH	430 mm (17 in)
PAD DIAMETER	430 mm (17 in)
PAD PRESSURE	Variable 30-44Kg/65-95lbs
SQUEEGEE WIDTH	670 mm (26.5 in)
TOTAL POWER CONSUMPTION	35A nominal
BRUSH MOTOR	.75 h.p., 165 rpm, 24V, 33A
VACUUM MOTOR	.75 h.p., 2-stage 5.7", 24V, 15A, 560W
WATER LIFT	1140 mm (45 in)
BATTERIES	2- 12V, 130AH
RUN TIME PER CHARGE	Up to 3 hours
DECIBEL RATING AT OPERATOR'S EAR, INDOORS ON TILE.	69.5dB(A)

# OPERATION

---

## MACHINE DIMENSIONS



Este manual se incluye en todos los modelos nuevos. Proporciona la información necesaria para su utilización y mantenimiento.

**Lea todo el manual detenidamente para comprender la máquina antes de utilizarla o revisarla.**

Use la Lista de Piezas incluida en este manual al ordenar piezas de repuesto. Antes de ordenar piezas o suministros, asegúrese de tener el número de modelo y el número de serie de su máquina. Las piezas y los suministros pueden ordenarse por teléfono o por correo de cualquier centro autorizado de piezas y servicios, distribuidor de piezas o de cualquier subsidiaria del fabricante.

Esta máquina proporcionará un servicio excelente. Sin embargo, los mejores resultados se obtienen a un costo mínimo si:

- La máquina se opera con un cuidado razonable.
- La máquina se mantiene con regularidad, según las instrucciones de mantenimiento provistas.
- La máquina se mantiene con las piezas provistas por el fabricante o equivalentes.

## DATOS DE LA MÁQUINA

Por favor complete al momento de la instalación para referencia futura.

No. de Modelo- \_\_\_\_\_

Fecha de instalación - \_\_\_\_\_

No. de Serie- \_\_\_\_\_

### PROTECCIÓN DEL MEDIO AMBIENTE



Deseche el material de embalaje, los componentes usados de la máquina como las baterías y los líquidos peligrosos como el anticongelante y el aceite, de forma segura para el medio ambiente, de acuerdo con las normativas o disposiciones locales.



No olvide reciclar.

## INDICE

---

<b>MEDIDAS DE SEGURIDAD</b> .....	<b>25</b>	<b>TRANSPORTE DE LA MÁQUINA</b> .....	<b>41</b>
<b>ADHESIVOS DE SEGURIDAD</b> .....	<b>26</b>	<b>ALMACENAMIENTO DE LA MÁQUINA</b> .....	<b>41</b>
<b>COMPONENTES DE LA MÁQUINA</b> .....	<b>27</b>	<b>ARTICULOS RECOMENDADOS A TENER EN EXISTENCIA</b> .....	<b>41</b>
<b>SÍMBOLOS DEL PANEL DE CONTROL</b> .....	<b>27</b>	<b>LOCALIZACIÓN DE AVERÍAS</b> .....	<b>42</b>
<b>INSTALACIÓN DE LA MÁQUINA</b> .....	<b>28</b>	<b>ESPECIFICACIONES</b> .....	<b>44</b>
DESEMBALADO DE LA MÁQUINA .....	28	<b>DIMENSIONES DE LA MÁQUINA</b> .....	<b>45</b>
INSTALACIÓN DE LAS BATERÍAS .....	28	<b>DIAGRAMAS ELECTRICAS</b> .....	<b>68</b>
<b>PREPARACIÓN DE LA MÁQUINA</b> .....	<b>30</b>	<b>LISTA DE PIEZAS</b> .....	<b>70</b>
FIJACIÓN DEL CONJUNTO DE LA ESCOBILLA DE GOMA .....	30	SUSTITUCIÓN DEL CONJUNTO DEL IMPULSOR DE LA ALMOHADILLA Y CEPILLOS .....	70
INSTALACIÓN DEL IMPULSOR DE LA ALMOHADILLA O DEL CEPILLO .....	30	GRUPE DEL DEPÓSITO DE DISOLUCIÓN .	72
EXTRACCIÓN DEL IMPULSOR DE LA ALMOHADILLA O DEL CEPILLO .....	31	CONJUNTO DESPOSITO RECUPERAR ...	74
LLENADO DEL DEPÓSITO DE LA DISOLUCIÓN .....	32	CONJUNTO DE LA RUEDA .....	76
AJUSTE DE LA ALTURA DEL MANDO DE CONTROL .....	32	GRUPO DEL CABEZAL DE FREGADO DE DISCO .....	78
<b>OPERACIÓN DE LA MÁQUINA</b> .....	<b>33</b>	GRUPO DE TUBERÍAS .....	80
PREOPERACIÓN .....	33	CONJUNTO DEL MOTOR DE ASPIRACIÓN	82
FREGADO CON LA MÁQUINA .....	33	CONJUNTO PALETA .....	84
OPERACIÓN DE LA OPCIÓN DE FREGADO PROLONGADO .....	34	MANIJA GRUPO .....	86
AL OPERAR LA MÁQUINA .....	34	CONJUNTO CONSOLA DE CONTROLES ..	87
OPERACION DE LAS HERRAMIENTAS DE ACCESORIOS (OPCIONAL) .....	35	CONJUNTO DE BATERÍA Y CARGADOR ..	88
CORTACIRCUITOS .....	35	<b>OPCIONES</b> .....	<b>90</b>
<b>AJUSTES DE LA MÁQUINA</b> .....	<b>36</b>	CONJUNTO DEL SISTEMA ES .....	90
AJUSTE DEL FLUJO DE LA DISOLUCIÓN .	36	CONJUNTO DE LA BOMBA DEL TUBO ....	92
AJUSTE DE LA PRESIÓN DE LA ALMOHADILLA .....	36	CONTADOR DE HORAS Y CONJUNTO DEL INTERRUPTOR DE BAJO VOLTAJE ..	94
AJUSTE DEL CABLE DE ELEVACIÓN DE LA ESCOBILLA DE GOMA .....	36	KIT DE HERRAMIENTA MOJADO .....	95
<b>VACIADO DE LOS DEPÓSITOS</b> .....	<b>36</b>	GRUPO DEL TUBO ELÉCTRICO DELUXE .	96
VACIADO DEL DEPÓSITO DE RECUPERACIÓN .....	36	GRUPO DEL TUBO ELÉCTRICO .....	98
VACIADO DEL DEPÓSITO DE LA DISOLUCIÓN .....	37	CONJUNTO DE LA MANGUERA DEL TUBO ELÉCTRICO .....	100
<b>CARGA DE LA BATERÍA</b> .....	<b>37</b>		
<b>MANTENIMIENTO DE LA MÁQUINA</b> .....	<b>38</b>		
MANTENIMIENTO DIARIO .....	39		
MANTENIMIENTO SEMANAL .....	39		
MANTENIMIENTO MENSUAL .....	39		
MANTENIMIENTO TRIMESTRAL .....	39		
MANTENIMIENTO DE LA BATERÍA .....	40		



## MEDIDAS DE SEGURIDAD

Esta máquina está destinada al uso comercial. Está diseñada exclusivamente para fregar suelos en recintos cerrados y no debe utilizarse para ningún otro uso. Utilice únicamente los cepillos, almohadillas y limpiadores de suelos específicos recomendados para máquinas disponibles en el mercado.

Todos los operarios deben leer, comprender y cumplir las siguientes medidas de seguridad.

A lo largo de todo el manual se utilizan los siguientes símbolos de advertencia y encabezados "PARA SU SEGURIDAD" descritos a continuación:

**⚠ ADVERTENCIA:** Advierte sobre riesgos o prácticas inseguras que podrían provocar lesiones personales graves o fatales.

**PARA SU SEGURIDAD:** Identifica las operaciones que debe realizar para una utilización segura del equipo.

El no cumplimiento de estas advertencias puede causar lesiones personales, descargas eléctricas, incendios y explosiones.

**⚠ ADVERTENCIA:** Peligro de incendio o explosión:

- Nunca utilice líquidos inflamables ni haga funcionar la máquina en las proximidades de líquidos, vapores o polvos inflamables.

*Esta máquina no está equipada con motores a prueba de explosión. Los motores eléctricos emiten chispas al arrancar y durante el funcionamiento lo que podría causar un fuego explosivo o explosión si la máquina se usa en una área donde están presentes vapores/líquidos inflamables o polvos combustibles.*

- No recoja materiales inflamables ni metales reactivos.
- Las baterías emiten hidrógeno. Mantenga chispas y llamas alejadas de la máquina. Mantenga el compartimento de la batería abierto mientras realiza la operación de carga.

**⚠ ADVERTENCIA:** Peligro choque eléctrico. Desconecte los cables de la batería antes de realizar reparaciones en la máquina.

**⚠ ADVERTENCIA:** Cepillo giratorio. Mantenga alejadas las manos. Apague la máquina antes de trabajar en ella.

La siguiente información indica las condiciones potencialmente peligrosas para el operario o equipo:

**PARA SU SEGURIDAD:**

1. No utilice la máquina:
  - Con líquidos inflamables o cerca de gases inflamables, ya que podría provocar explosiones o llamaradas.
  - Salvo que esté debidamente formado y autorizado.
  - Salvo haber leído y comprendido el manual del operario.
  - Si la máquina no funciona correctamente.
2. Antes de operar máquina:
  - Asegúrese de que todos los dispositivos de seguridad se encuentren en su lugar y funcionen correctamente.
3. Al utilizar la máquina:
  - Conduzca despacio en pendientes y superficies resbaladizas.
  - Utilice calzado antideslizante.
  - Reduzca la velocidad al realizar giros.
  - Informe inmediatamente de las averías de la máquina o si el funcionamiento no es correcto.
  - No permita nunca que los niños jueguen encima o alrededor de la máquina.
  - Siga las instrucciones de mezcla y manipulación indicadas en los depósitos para los productos químicos.
4. Antes de abandonar o revisar la máquina:
  - Deténgase en una superficie horizontal.
  - Apague la máquina.
5. Al revisar la máquina:
  - Evite las partes en movimiento. No utilice chaquetas, camisas o mangas sueltas.
  - Desconecte las conexiones de la batería antes de empezar a trabajar en la máquina.
  - Utilice guantes y gafas de protección al trabajar con las baterías o sus cables.
  - Evite el contacto con el ácido de la batería.
  - No moje la máquina rociándola o utilizando una manguera. Pueden producirse fallos eléctricos.
  - Utilice repuestos suministrados o aprobados por el fabricante.
  - Todas las reparaciones deben ser realizadas por personal técnico cualificado.
  - No modifique el diseño original de la máquina.

# OPERACIÓN

## 6. Al transportar la máquina:

- Apague la máquina.
- No levante la máquina con las baterías instaladas.
- Pida ayuda para levantar la máquina.
- Utilice una rampa al cargar/descargar la máquina en/de un camión o remolque.
- Utilice las cintas para fijar la máquina al camión o remolque.
- Coloque el cabezal de fregado en la posición bajada.

# ADHESIVOS DE SEGURIDAD

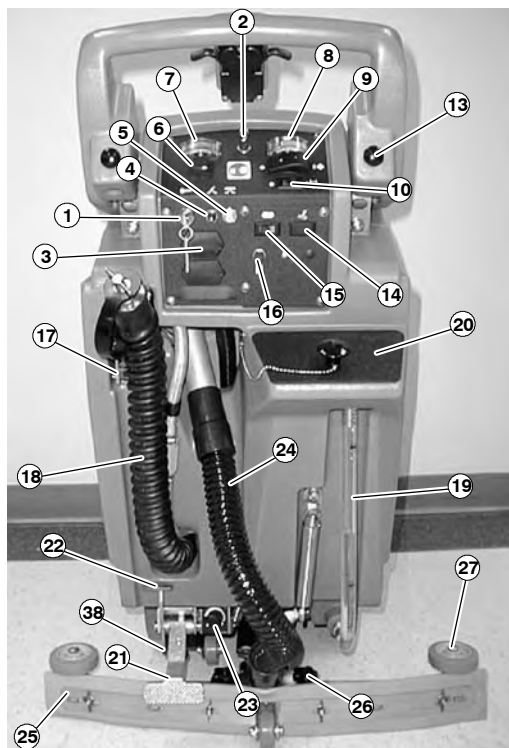
La adhesivo de seguridad aparece en la máquina en la localización indicada. Sustituya el adhesivo si se ha desprendido, o está deteriorado o son ilegible.

## ETIQUETA DE ADVERTENCIA - LOCALIZADA EN EL TANQUE DE RECUPERACION.

	<b>⚠ WARNING</b>	<b>⚠ AVERTISSEMENT</b>	<b>⚠ ADVERTENCIA</b>
	<b>EXPLOSION, FIRE AND SHOCK HAZARD. AVOID INJURY.</b>	<b>RISQUE D'EXPLOSION, D'INCENDIE ET DE DÉCHARGE. ÉVITEZ LES BLESSURES.</b>	<b>PELIGRO DE EXPLOSIÓN, FUEGO, DESCARGA EVITE LESIONES.</b>
	<b>• Do Not Use or Pick Up Flammable Materials.</b>	<b>• N'utilisez Pas ou Ne Ramassez Pas de Matériaux Inflammables.</b>	<b>• No Use Ó Recoja Materiales Flamables.</b>
	<b>• Do Not Use Near Flammable Liquids, Vapors or Combustible Dusts.</b>	<b>• N'utilisez Pas Près de Liquides, Vapeurs ou Poussières Inflammables.</b>	<b>• No Use Cerca De Líquidos Flamables, Vapores Ó Materiales Combustibles.</b>
	<b>• Keep Sparks and Open Flame Away When Charging Batteries. Keep Battery Hood Open When Charging.</b>	<b>• Éloignez les Sources d'Étincelles ou de Flamme Ouverte Lors du Chargement des Batteries. Laissez Ouvert le Capot du Compartiment des Batteries Lors de la Mise en Charge.</b>	<b>• Mantenga Chispas Y Fuego Alejados Mientras Carga Baterías. Mantenga Tapa De Batería Abierta Mientras Carga.</b>
	<b>• Disconnect Battery Cables and Charger Cord Before Servicing.</b>	<b>• Débranchez les Câbles de Batterie et la Cordon du Chargeur Avant l'Entretien.</b>	<b>• Desconecte Cable De Batería Y Cable Del Cargador Antes Del Mantenimiento.</b>
			1026386

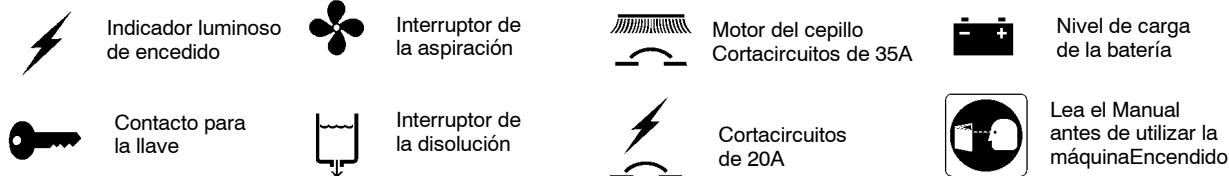


## COMPONENTES DE LA MÁQUINA



- |   |  |   |
|---|--|---|
| <ul style="list-style-type: none"> <li>1. Contacto para la llave</li> <li>2. Indicador luminoso de ENCENDIDO/APAGADO</li> <li>3. Contador de horas (Opc.)</li> <li>4. Cortacircuitos principal</li> <li>5. Cortacircuitos del cepillo</li> <li>6. Botón de liberación del cepillo</li> <li>7. Indicador de la presión del cepillo</li> <li>8. Indicador del nivel de carga de la baterías</li> <li>9. Interruptor de ENCENDIDO/APAGADO de la aspiración</li> <li>10. Interruptor de ENCENDIDO/APAGADO de la disolución</li> <li>11. Mando de elevación de la escobilla de goma</li> <li>12. Mando de control</li> <li>13. Botones de ajuste de la altura de mando de control</li> </ul> | <ul style="list-style-type: none"> <li>14. Interruptor de ENCENDIDO/APAGADO del tubo de aspiración (Opc.)</li> <li>15. Interruptor de ENCENDIDO/APAGADO (Modelo ES)</li> <li>16. Indicador luminoso de bomba encendida (Modelo ES)</li> <li>17. Enchufe del cargador</li> <li>18. Manguera de vaciado del depósito de recuperación</li> <li>19. Manguera de Vaciado del Depósito de Disolución con Indicador de Nivel</li> <li>20. Tapa del Orificio de Llenado de la Disolución</li> <li>21. Pedal de elevación del cabezal de fregado</li> <li>22. Pedal de liberación de la elevación del cabezal de fregado</li> <li>23. Botón de ajuste del flujo de la disolución</li> </ul> | <ul style="list-style-type: none"> <li>24. Manguera de aspiración de la escobilla de goma</li> <li>25. Conjunto de la escobilla de goma</li> <li>26. Palometa de la escobilla de goma</li> <li>27. Rodillos de pared</li> <li>28. Accionador del cepillo</li> <li>29. Tapa del depósito de recuperación</li> <li>30. Depósito de recuperación</li> <li>31. Capó del compartimento de la batería</li> <li>32. Cabezal de fregado</li> <li>33. Aleta del cabezal de fregado</li> <li>34. Ruedecilla de transporte</li> <li>35. Ruedas principales</li> <li>36. Acoplador de la manguera de la disolución del tubo de aspiración Opc.</li> <li>37. Depósito de la disolución</li> <li>38. Botón de ajuste de la presión de la almohadilla</li> </ul> |
|---|--|---|

## SÍMBOLOS DEL PANEL DE CONTROL



---

## INSTALACIÓN DE LA MÁQUINA

---

### DESEMBALADO DE LA MÁQUINA

Compruebe cuidadosamente si la caja de cartón muestra daños. En caso de que así sea informe inmediatamente al transportista.

Inspeccione el contenido de la máquina para asegurarse que el envío está completo. Consultar con el distribuidor por artículos faltantes.

#### Contenidos de la máquina:

- 1 - Cable de batería #602871
- 1 - Cable para las baterías #6X24pulg negro #603208
- 2 - 12VDC 130AH Baterías #130869 (incluido con el paquete de la máquina)
- 1 - Cargador De Batería, 24V/15A 120V #603553 (incluido con el paquete de la máquina)

Para desempacar su máquina, extraiga las bandas metálicas y eleve cuidadosamente o use una rampa para extraer la máquina de la tarima. No ruede la máquina fuera de la tarima ya que puede resultar en daños.

**PARA SU SEGURIDAD: Obtenga ayuda al alzar la máquina. No levante la máquina con las baterías instaladas.**

Eleve el cabezal de fregado a la posición de transporte antes de maniobrar con la máquina. Pise el pedal de elevación del cabezal de fregado para elevar dicho cabezal (Figura 1).

**NOTA:** Para evitar que la aleta del cabezal de fregado se deteriore, mantenga la máquina siempre en la posición de transporte cuando el impulsor de la almohadilla no esté instalado.



FIG. 1

**ATENCIÓN:** No retire la máquina del pallet haciéndola rodar porque podría averiarla.

**ATENCIÓN:** La instalación de la batería debe realizarse **DESPUÉS** de retirar la máquina del pallet.

El conjunto de la escobilla de goma está embalado con la máquina.

Las baterías, cargador, cepillo, impulsor de la almohadilla y almohadillas deben adquirirse separadamente. Consult an authorized distributor for specific pads and brushes.

**ATENCIÓN:** La utilización de piezas diferentes a las recomendadas por el fabricante puede provocar averías.

---

## INSTALACIÓN DE LAS BATERÍAS

**⚠ ADVERTENCIA:** Las baterías emiten hidrógeno. Mantenga chispas y llamas alejadas de la máquina. Mantenga el compartimento de la batería abierto mientras realiza la operación de carga.

**PARA SU SEGURIDAD:** Al prestar servicio a la máquina, utilice guantes y gafas de protección al trabajar con las baterías o sus cables. Evite el contacto con el ácido de la batería.

#### Especificaciones de la batería:

Dos baterías de 12 voltios de ciclo profundo. Consulte a un distribuidor autorizado sobre baterías específicas. Las dimensiones máximas de la batería son 17.8 cm ancho x 33 cm largo x 25.4 cm alto.

1. Estacione la máquina en una superficie plana, apague todos los interruptores y retire la llave del contacto.
2. Retire el capó de la batería para acceder al compartimento de la batería. A continuación extraiga la bandeja de metal de la batería y afloje el cable de la batería del compartimento.
3. Desconecte la manguera de aspiración de la boquilla del depósito de recuperación. Instale cuidadosamente la primera batería en el compartimento con los bornes de la batería colocados como muestra la figura (Figura 2).



FIG. 2

**ATENCIÓN: No deje caer la batería en el compartimento, tanto la batería como su soporte podrían deteriorarse. La garantía no cubre estos daños.**

4. Conecte el cable rojo de la batería procedente de la máquina al borne positivo (+) de la batería inferior. A continuación, conecte el cable del puente negro al borne negativo (-) (Figura 4).
5. Después de conectar los cables a la batería inferior, cuelgue cuidadosamente la bandeja de metal de la batería sobre los pernos incluidos y coloque la segunda batería en la bandeja con los bornes en la posición que muestra la figura. Fije la segunda batería con una cinta (Figura 3).



FIG. 3

6. Conecte el cable negro de la batería procedente de la máquina al borne negativo (-) de la batería superior. A continuación, conecte el otro extremo del cable del puente negro el borne positivo (+) (Figura 4).

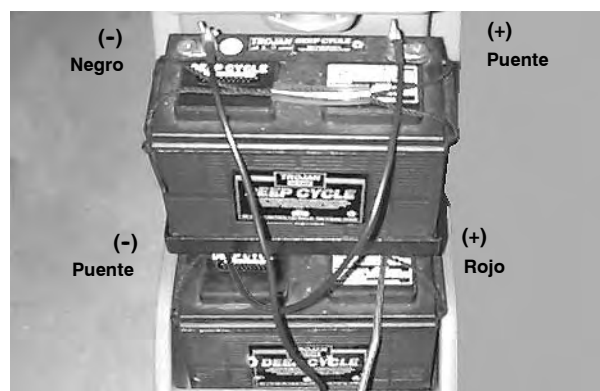


FIG. 4

7. Conecte de nuevo la manguera de aspiración a la boquilla del depósito de recuperación como se muestra (Figura 5).



FIG. 5

8. Una vez que todas las baterías estén correctamente instaladas, gire la llave y arranque la máquina, encienda el interruptor de la aspiración y controle indicador del nivel de carga de la batería. Cargue la batería en caso necesario (Consulte el apartado de CARGA DE LA BATERIA) (Figura 6).



FIG. 6

## PREPARACIÓN DE LA MÁQUINA

### FIJACIÓN DEL CONJUNTO DE LA ESCOBILLA DE GOMA

1. Gire la llave hasta la posición de apagado.

**PARA SU SEGURIDAD: Antes de dejar o prestar servicio a la máquina, detenga la máquina sobre una superficie nivelada y apague la máquina.**

2. Eleve el soporte de montaje de la escobilla de goma desplazando el botón de elevación de la escobilla de goma a la izquierda (Figura 7).



FIG. 7

3. Afloje las dos palomets del conjunto de la escobilla de goma y deslice dicha escobilla en las ranuras del soporte de montaje de la escobilla de goma (Figura 8).

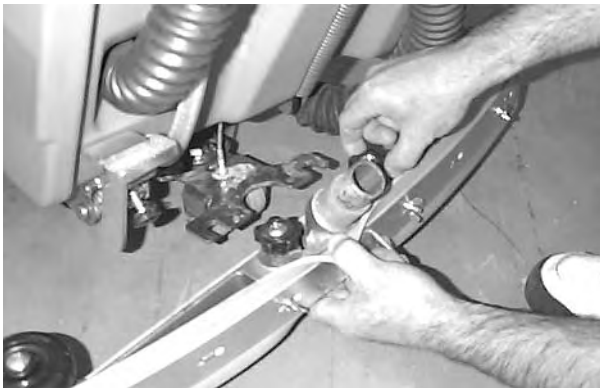


FIG. 8

4. Fije bien las palometas.

5. Conecte la manguera de aspiración de la máquina al conjunto de la escobilla de goma (Figura 9).



FIG. 9

### INSTALACIÓN DEL IMPULSOR DE LA ALMOHADILLA O DEL CEPILLO

1. Seleccione el cepillo o almohadilla recomendados que mejor se adapte a sus necesidades.

**NOTA:** Consulte una distribuidor autorizada para las recomendaciones de almohadilla/cepillo.

2. Fije la almohadilla al impulsor antes de instalar dicho impulsor al cubo del motor. Fije la almohadilla con el cierre central de plástico en forma de anillo (Figura 10).



FIG. 10

3. Gire la llave hasta la posición de encendido (Figura 11).

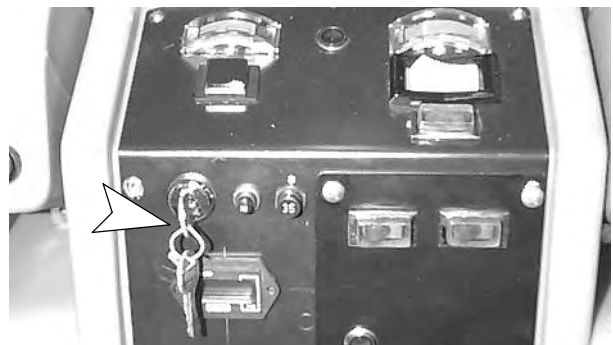


FIG. 11

- Coloque el accionador/cepillo de la plancha sobre el piso, delante del cabezal de fregado (Figura 12).



FIG. 12

- Incline la máquina hacia atrás, de manera que se apoye sobre sus ruedas traseras, y centre el cabezal de fregado sobre el accionador/cepillo de la plancha (Figura 12).
- PASO IMPORTANTE:** Suelte el pedal de levantamiento del cepillo para liberarlo de la posición de transporte (Figura 13). Alinee el eje del motor dentro del accionador/cepillo de la plancha.



FIG. 13

- Tire de los disparadores para activar el accionador/cepillo de la plancha. **Asegúrese de que la rueda delantera esté en la posición UP (arriba)** (Figura 14).



FIG. 14

**NOTA:** Antes de instalar el impulsor de la almohadilla o el cepillo asegúrese de que la superficie de montaje está limpia. Una superficie limpia facilitará la posterior extracción del impulsor de la almohadilla.

## EXTRACCIÓN DEL IMPULSOR DE LA ALMOHADILLA O DEL CEPILLO

- Eleve el cabezal de fregado a la posición de transporte. Pise el pedal de elevación del cabezal de fregado para elevarlo (Figura 15).



FIG. 15

- Gire la llave hasta la posición de encendido.
- Incline la máquina para apoyarla de nuevo sobre las ruedas traseras.

# OPERACIÓN

4. Pulse y suelte rápidamente el accionador del cepillo mientras pulsa el “botón de liberación del cepillo”. El impulsor de la almohadilla/cepillo se desenroscará automáticamente del cubo del motor. Si esto no ocurre, repita la operación (Figura 16).

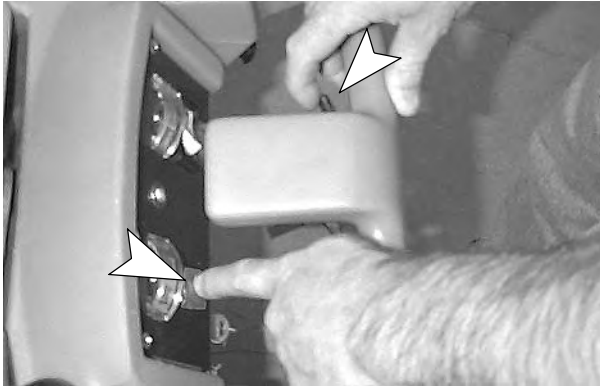


FIG. 16

**NOTA:** Para evitar el deterioro de la aleta del cabezal de fregado; mantenga la máquina en la posición de transporte cuando el impulsor de la almohadilla o el cepillo no estén instalados.

## LLENADO DEL DEPÓSITO DE LA DISOLUCIÓN

1. Dirija la máquina a la zona de llenado. Levante la escobilla de goma y el cepillo durante el transporte.
2. Apague la máquina.
3. Retire la tapa del orificio de llenado del depósito de disolución.
4. Llene el depósito de la disolución con 28L (7.5 gal) de agua limpia utilizando una manguera como se muestra temperatura máxima 60°C (140°F). Si lo llena con un cubo, utilice un cubo con acanaladura (Figura 17).



FIG. 17

**NOTA:** Si utiliza un cubo para llenar el depósito, asegúrese de que dicho cubo esté limpio para evitar que se obstruyan las tuberías de la disolución.

5. Añada el producto de limpieza. Consulte en las instrucciones del envase la proporción correcta de la disolución.
6. Coloque de nuevo la tapa del orificio de llenado del depósito.

**PARA SU SEGURIDAD:** Al usar la máquina, observe las instrucciones de mezcla y manejo de los recipientes de sustancias químicas.

**ATENCIÓN:** Utilice únicamente productos de limpieza recomendados, NO utilice sustitutos. Consulte a un distribuidor autorizado acerca de los productos recomendados.

**⚠ ADVERTENCIA:** Peligro de incendio o explosión. Nunca utilice líquidos inflamables ni haga funcionar la máquina en las proximidades de líquidos, vapores o polvos inflamables.

7. Si la máquina está equipada con la opción ES (fregado prolongado), puede llenarse parcialmente el tanque de recuperación para extender el tiempo de fregado.
  - a. Retire la tapa del depósito de recuperación y llene dicho depósito con 13 L (3.5 gal) de agua limpia (temperatura máxima 60°C (140°F). Cierre la tapa.
  - b. Asegúrese de que el interruptor ES está encendido al utilizar la máquina (Figura 18).



FIG. 18

- c. El indicador luminoso del sistema ES se encenderá cuando la bomba ES esté funcionando.

## AJUSTE DE LA ALTURA DEL MANDO DE CONTROL

El mando de control tiene tres ajustes de la altura posibles para ajustarlo a una altura de trabajo cómoda.

1. Ubique los dos botones de ajuste de la altura del mando de control situados en dicho mando (Figura 19).



- Empuje ambos botones y levante o baje el mando, suelte los botones para inmovilizar el mando (Figura 19).



FIG. 19

- Baje el conjunto de la escobilla de goma desplazando el botón de elevación de la escobilla de goma a la derecha (Figura 21).



FIG. 21

## OPERACIÓN DE LA MÁQUINA

**PARA SU SEGURIDAD:** No utilice la máquina salvo que el operario haya leído y comprendido el manual de instrucciones.

### PREOPERACIÓN

- Barra el suelo para eliminar partículas y otros restos.
- Controle el nivel de carga de la batería para asegurarse que de las baterías están completamente cargadas (Consulte el apartado CARGA DE LA BATERÍA).
- Controle el estado del cepillo o la almohadilla.
- Controle el estado de las láminas de la escobilla de goma.

### FREGADO CON LA MÁQUINA

- Suelte el pedal de elevación del cepillo de la posición de transporte pisando el pedal de liberación del cabezal de fregado (Figura 20).



FIG. 20

- Encienda la máquina y los interruptores de la aspiración y de la disolución (Figura 22).

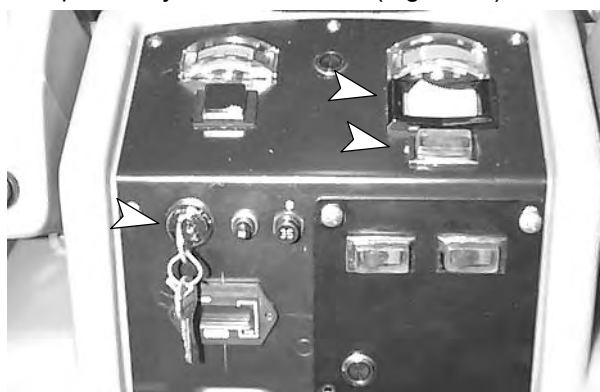


FIG. 22

**NOTA:** El flujo de la disolución y el cepillo no se pondrán en funcionamiento hasta tirara de los accionadores del cepillo.

- Tire de los accionadores del cepillo y comience a andar con la máquina. El cepillo impulsará la máquina hacia delante permitiendo maniobrar con poco esfuerzo (Figura 23).



FIG. 23

**NOTA:** Es posible que sea necesario reducir la presión de la almohadilla en superficies irregulares.

# OPERACIÓN

5. Controle el indicador de la presión del cepillo mientras friega. Utilice la máquina sólo cuando el indicador esté en la zona verde. Nunca utilice la máquina con el indicador en la zona roja (Figura 24).

**NOTA:** Si necesita ajustar la presión del cepillo, consulte el apartado de AJUSTES DE LA MÁQUINA.



FIG. 24

**ATENCIÓN:** Para evitar el posible deterioro del suelo y la activación del cortacircuitos del cepillo, no utilice la máquina cuando el indicador de la presión del cepillo se encuentre en la zona roja.

6. Para utilizar la máquina en marcha atrás, simplemente tire hacia atrás de la máquina mientras tira de los accionadores.
7. Para detener el fregado, suelte los accionadores del cepillo, apague todos los interruptores, levante el cabezal de fregado y la escobilla de goma.

## OPERACIÓN DE LA OPCIÓN DE FREGADO PROLONGADO

La opción ES (fregado prolongado) permite extender el tiempo de fregado con la reutilización del agua recuperada. Se filtra y recicla el agua recuperada, vertiéndosela en el tanque de solución para su reutilización.

1. Llene el depósito de recuperación con 13L (3.5 gal) al llenar el depósito de la disolución.

**⚠ ADVERTENCIA:** Peligro de incendio o explosión. Nunca utilice líquidos inflamables ni haga funcionar la máquina en las proximidades de líquidos, vapores o polvos inflamables.

2. Encienda el interruptor ES. Durante la utilización, la bomba ES comenzará automáticamente a reciclar cuando el indicador luminoso de la bomba ES se encienda (Figura 25).

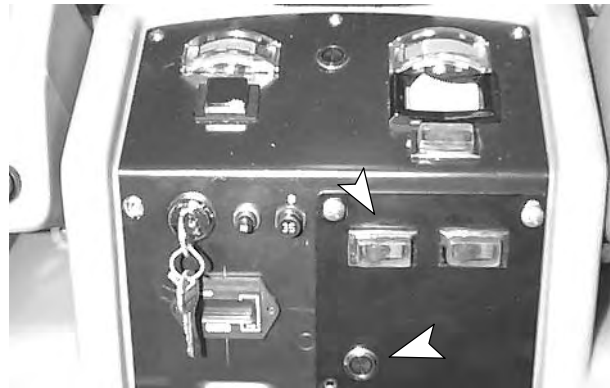


FIG. 25

3. Cuando acabe la operación de fregado, asegúrese de vaciar y aclarar el depósito de la disolución y de limpiar el filtro ES (Consulte el apartado de VACIADO DE LOS DEPÓSITOS).

## AL OPERAR LA MÁQUINA

**PARA SU SEGURIDAD:** Al usar la máquina, avance lentamente sobre pendientes y superficies resbalosas.

1. Controle la cantidad de flujo de disolución al suelo. Si es necesario ajustar el flujo de la disolución, consulte el apartado de AJUSTES DE LA MÁQUINA.
2. Controle periódicamente que no exista acumulación de espuma en el depósito de recuperación (mire a través de la tapa transparente). Si la acumulación de espuma empieza a ser excesiva, añada un producto de control de la formación de espuma al depósito de recuperación.

**ATENCIÓN:** No permita que el agua o la espuma se introduzcan en el filtro del flotador de cierre de la aspiración porque podría averiar el motor de aspiración. La espuma no activará el flotador de cierre. La garantía no cubre la avería del motor de aspiración causada por la entrada de agua o espuma.

3. Utilice la máquina con precaución al fregar cerca de paredes u obstáculos.
4. Si la escobilla de goma deja marcas, eleve la escobilla de goma y limpie las láminas con un paño. Realice un barrido previo de la zona para evitar la formación de marcas. Si es necesario ajustar la escobilla de goma, consulte el apartado de AJUSTES DE LA MÁQUINA.
5. Haga que los pases se superpongan 5 cm (2 pulg).

6. Cambie o gire las almohadillas cuando estén sucias.
7. Manténgase alejado de obstáculos del suelo como placas eléctricas o rejillas, romperían las almohadillas.
8. No es necesario apagar ningún interruptor durante las paradas cortas, los cepillos y el flujo de la disolución se detendrán automáticamente al soltar los accionadores.
9. Controle periódicamente el nivel de carga de la batería. Recargue las baterías cuando la aguja del indicador se encuentre en la zona roja.

**ATENCIÓN: No opere la máquina con el medidor de batería en la zona roja ya que puede resultar en daños a la batería.**

**⚠ ADVERTENCIA: Peligro de incendio o explosión. No aspire materiales inflamables o metales reactivos.**

10. En el último pase de fregado, apague el interruptor de la disolución justo antes de detener la máquina. Esto permitirá la recogida total.
11. Vacíe el depósito de recuperación cuando se vacíe el depósito de la disolución (Consulte el apartado de VACIADO DE LOS DEPÓSITOS).

## OPERACION DE LAS HERRAMIENTAS DE ACCESORIOS (OPCIONAL)

1. Conecte la manguera de la disolución al acoplamiento de desconexión rápida.
2. Desconecte la manguera del tubo de cala y reemplazcalo con la manguera accesorio.
3. Conecte las mangueras al tubo.
4. Encienda la llave, vara de pompa y interruptor de aspiradora (Figura 26).

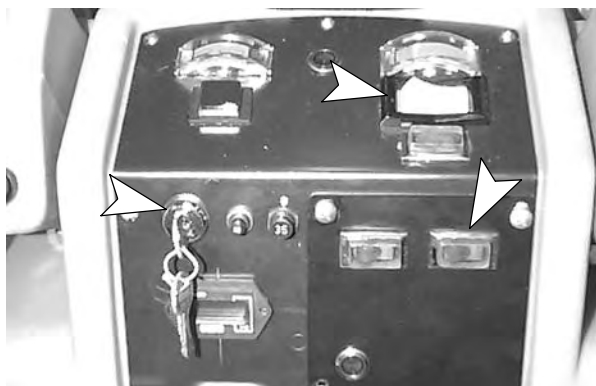


FIG. 26

5. Opere las herramientas accesorias de la manera normal.

**⚠ ADVERTENCIA: Peligro de incendio o explosión. No aspire materiales inflamables o metales reactivos.**

## CORTACIRCUITOS

La máquina está equipada con dos cortacircuitos de protección. Los cortacircuitos Principal (20A) y del Cepillo (35A).

Si se activan los cortacircuitos, no los reajuste inmediatamente. Determine la causa de la activación del cortacircuitos, espere unos minutos y reajuste dicho cortacircuitos (Consulte el apartado de LOCALIZACIÓN DE AVERÍAS).

Los cortacircuitos del motor del cepillo se activarán debido a una carga excesiva de la almohadilla. Reduzca la presión de la almohadilla o sustitúyala si se activa el cortacircuitos. Los cortacircuitos se encuentran sobre la consola de control (Figura 27).

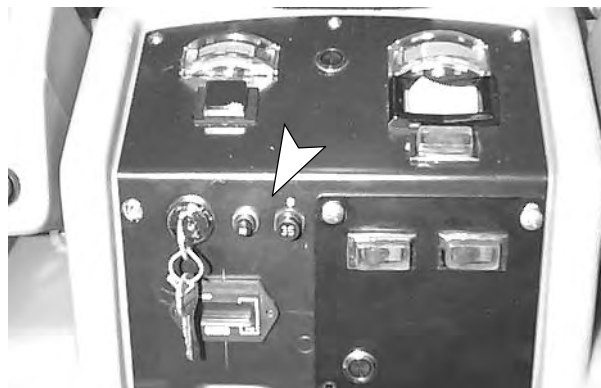


FIG. 27

# OPERACIÓN

## AJUSTES DE LA MÁQUINA

**PARA SU SEGURIDAD:** Antes de dejar o prestar servicio a la máquina, detenga la máquina sobre una superficie nivelada y apague la máquina.

### AJUSTE DEL FLUJO DE LA DISOLUCIÓN

Para aumentar o reducir el flujo máximo de la disolución, gire el botón de ajuste a la selección deseada. El botón de ajuste se encuentra cerca del pedal de elevación del cepillo (Figura 28).

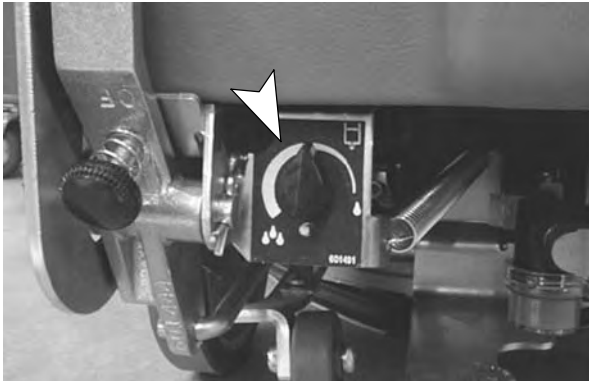


FIG. 28

### AJUSTE DE LA PRESIÓN DE LA ALMOHADILLA

**NOTA:** Es posible que sea necesario reducir la presión de la almohadilla en superficies rugosas.

Para ajustar la presión de la almohadilla, gire el botón de ajuste en sentido contrario al de las agujas del reloj para reducirla o en el sentido de las agujas del reloj para aumentarla. El botón de ajuste se encuentra debajo del pedal de elevación del cepillo (Figura 29).

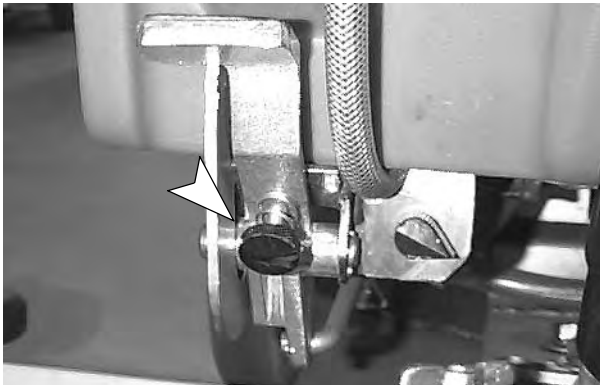


FIG. 29

### AJUSTE DEL CABLE DE ELEVACIÓN DE LA ESCOBILLA DE GOMA

Para ajustar el cable de elevación de la escobilla de goma, afloje las contratuercas y gire el vástago de ajuste del cable de la escobilla de goma. Apriete de nuevo las contratuercas después de ajustar (Figura 30).

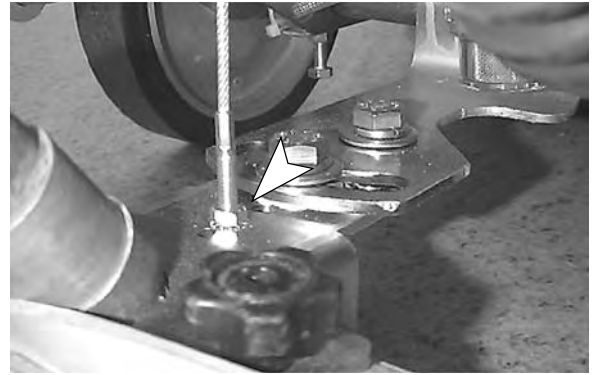


FIG. 30

## VACIADO DE LOS DEPÓSITOS

**Cuándo debe purgarse el tanque de recuperación:**

- Luego de cada uso.
- Entre cargas completas del tanque de solución.
- En caso de detenerse el flujo de la solución durante el funcionamiento.
- Cuando se activa la pantalla del flotador.
- Si la escobilla de goma comienza a dejar agua a su paso.

**NOTA:** En caso de utilizar el sistema de reciclado de ES, asegúrese de purgar y enjuagar ambos tanques luego de cada uso.

**PARA SU SEGURIDAD:** Antes de dejar o prestar servicio a la máquina, detenga la máquina sobre una superficie nivelada y apague la máquina.

### VACIADO DEL DEPÓSITO DE RECUPERACIÓN

**ATENCIÓN:** Vacíe el depósito de recuperación siempre que llene el depósito de disolución. Podría introducirse espuma o agua en el filtro del flotador de cierre y dañar el motor de aspiración. La garantía no cubre la avería del motor de aspiración causada por la entrada de agua o espuma.

1. Empuje la máquina hasta un desagüe del suelo y apague todos los interruptores. Retire la manguera de vaciado del lado izquierdo de su soporte, coloque la manguera en el desagüe y abra el tapón de la manguera de vaciado (Figura 31).



FIG. 31

**NOTA:** Si utiliza un cubo para vaciar la máquina, no utilice el mismo cubo para llenar el depósito de la disolución.

2. Abra la tapa transparente del depósito de recuperación y aclare el depósito, filtro de flotador y el filtro del sistema ES si existe. Retire y aclare el filtro del flotador de cierre y el filtro del sistema ES si están excesivamente sucios. Vuelva a instalar y fijar los filtros en su sitio.
3. Vuelva a cerrar bien el tapón de la manguera de vaciado cuando el depósito esté vacío.

## VACIADO DEL DEPÓSITO DE LA DISOLUCIÓN

Para vaciar la disolución que no se ha utilizado del depósito de la disolución siga los siguientes pasos:

1. Retire la manguera de vaciado transparente de su soporte y sitúela en sobre un desagüe (Figura 32).



FIG. 32

2. Aclare el depósito de la disolución y el sistema del flujo de la disolución con agua para evitar bloqueos debido a la acumulación de productos químicos.
3. Una vez vacía, vuelva a colocar la manguera de vaciado en su soporte.

## CARGA DE LA BATERÍA

**NOTA:** Recargue las baterías **SOLO** después de un total de 30 minutos de uso o más. Esto prolonga la duración de la batería.

Las siguientes instrucciones de carga son válidas exclusivamente para los cargadores de 24V suministrados con la máquina. En cualquier otro caso, utilice un cargador con las siguientes características para evitar el deterioro de las baterías.

### ESPECIFICACIONES DEL CARGADOR:

- VOLTAJE DE SALIDA - 24 VOLTIOS
- CORRIENTE DE SALIDA - 25 AMP MÁXIMO
- CIRCUITO DE APAGADO AUTOMÁTICO
- PARA CARGA DE BATERÍA DE CICLO PROFUNDO

**NOTA:** Para un funcionamiento óptimo de la máquina, deje siempre cargadas las baterías. Nunca deje baterías descargadas puestas.

**⚠ ADVERTENCIA:** Peligro de incendio o explosión. Las baterías emiten hidrógeno. Mantenga chispas y llamas alejadas de la máquina. Mantenga el compartimento de la batería abierto mientras realiza la operación de carga.

**PARA SU SEGURIDAD:** Al prestar servicio a la máquina, utilice guantes y gafas de protección al trabajar con las baterías o sus cables. Evite el contacto con el ácido de la batería.

1. Dirija la máquina a una zona bien ventilada para cargar las baterías.
2. Apague todos los interruptores y coloque la llave en posición apagada.

**PARA SU SEGURIDAD:** Antes de dejar o prestar servicio a la máquina, detenga la máquina sobre una superficie nivelada y apague la máquina.

3. Abra el capó del compartimento de la baterías.

# OPERACIÓN

- Antes de cargar, inspeccione el nivel de fluido (A) en cada celda de la batería. Si las placas de la batería (B) están expuestas, agregue justo lo suficiente de agua destilada para cubrir las. **NO LLENE EN EXCESO.** Las baterías llenadas en exceso puede derramarse durante la carga debido a la expansión del líquido. Vuelva a colocar las tapas de la celda antes de cargar (Figura 33).

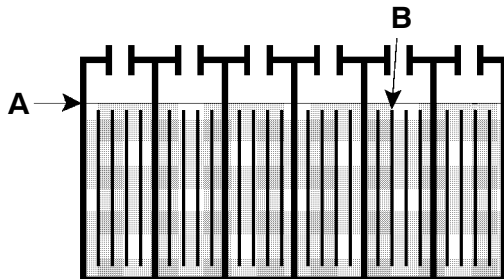


FIG. 33

- Con el cordón de suministro eléctrico desenchufado, conecte el cargador de la batería según se muestra (Figura 34).

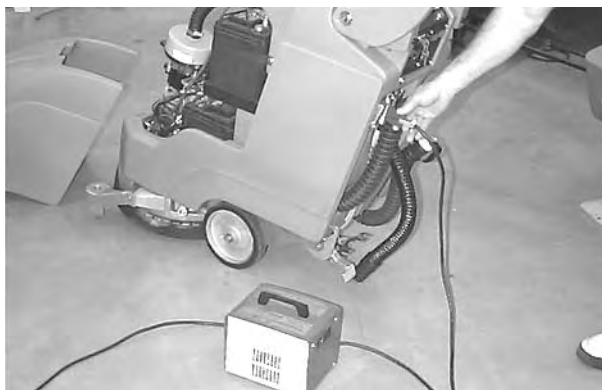


FIG. 34

**NOTA:** Una vez que el cargador está conectado, la máquina es inoperable.

- Conecte el cable eléctrico del cargador en un enchufe de la pared con toma de tierra (Figura 35).

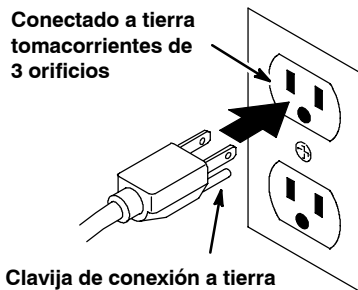


FIG. 35

**PARA SU SEGURIDAD:** No opere el cargador a menos que el cordón esté bien conectado tierra.

**⚠ ADVERTENCIA: Peligro de incendio o explosión. Las baterías emiten hidrógeno. Mantenga chispas y llamas alejadas de la máquina. Mantenga el compartimento de la batería abierto mientras realiza la operación de carga.**

- El cargador empezará a cargar automáticamente y se apagará también automáticamente cuando la batería esté totalmente cargada.
- Desconecte el cargador de la máquina cuando éste se haya apagado y a continuación desconecte el cargador del enchufe de la pared.
- Después de cargar, vuelva a inspeccionar el nivel de fluido de la batería (A) en cada celda de la batería. El nivel debe ser de 1 cm (3/8 pul.) desde el fondo de los tubos de mirilla (B). Agregue agua destilada si requerido. **NO LLENE EN EXCESO** (Figura 36).

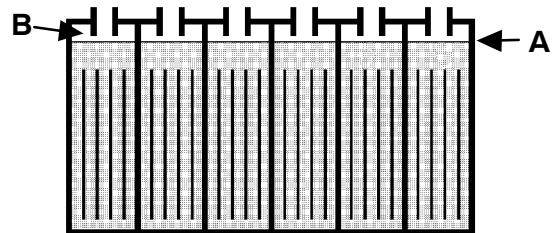


FIG. 36

## MANTENIMIENTO DE LA MÁQUINA

Para mantener la máquina en buenas condiciones de funcionamiento bastará realizar las siguientes operaciones de mantenimiento diario, semanal o mensualmente.

**PARA SU SEGURIDAD:** Antes de dejar o prestar servicio a la máquina, detenga la máquina sobre una superficie nivelada y apague la máquina.

**⚠ ADVERTENCIA: Peligro choque eléctrico. Desconecte los cables de la batería antes de realizar reparaciones en la máquina.**

**ATENCIÓN:** Póngase en contacto con un Centro de Servicio autorizado para reparar las máquinas. Las reparaciones de máquinas realizadas por personas no autorizadas invalidarán la garantía.

**NOTA:** Si la máquina presenta el contador de horas opcional, registre las horas a las que realiza el mantenimiento.

## MANTENIMIENTO DIARIO (Después de cada uso)

1. Extraiga y limpie el cepillo o la almohadilla. No utilice nunca almohadilla sucias durante las operaciones de limpieza. Sustituya las almohadilla cuando estén gastadas o sucias.
2. Vacíe y limpie a fondo ambos depósitos.
3. Abra la tapa transparente y extraiga y limpie el filtro del flotador de cierre. Vuelva a colocar bien el filtro (Figura 37).



FIG. 37

4. Abra la tapa transparente y extraiga y limpie el filtro ES. Vuelva a colocar bien el filtro.
5. Eleve la escobilla de goma y límpiela con un paño seco. Guarde la escobilla de goma en la posición elevada para evitar que se deteriore.
6. Limpie el bastidor de la máquina con un limpiador no abrasivo que no contenga disolventes.
7. Recargue las baterías en caso necesario.

## MANTENIMIENTO SEMANAL (Cada 20 horas de uso)

1. Aclare los depósitos y las tuberías de la disolución. Vierta 750mL (24 oz) de una disolución de ácido acético en 11.3L (3 gal) de agua caliente en el depósito de la disolución. Encienda brevemente el flujo de la disolución sobre un desagüe del suelo para llenar la tubería de disolución. Apague la máquina y deje actuar la disolución durante la noche. Después aclare con agua limpia.
2. Extraiga el filtro en línea. Antes de extraer el filtro, asegúrese de que el depósito de la disolución está vacío. El filtro se encuentra debajo de la máquina en la parte trasera (Figura 38).



FIG. 38

3. Controle el nivel del electrolito en los elementos de la batería (*Consulte el apartado de MANTENIMIENTO DE LA BATERÍA*).
4. Limpie la parte superior de la batería para evitar la formación de corrosión (*Consulte el apartado de MANTENIMIENTO DE LA BATERÍA*).
5. Controle si los cables de la batería están sueltos u oxidados.

## MANTENIMIENTO MENSUAL (Cada 80 horas de uso)

1. Lubrique los puntos de lubricación de la rueda con grasa impermeable.
2. Lubrique todos los puntos pivotantes de conexión con un spray de silicona y luego con una capa de grasa impermeable para permitir un funcionamiento suave.
3. Controle que la máquina no presenta escapes de agua ni tornillos ni tuercas flojos.

## MANTENIMIENTO TRIMESTRAL (Cada 250 horas de uso)

Inspeccione el motor(es) por desgaste de las escobillas de carbón, reemplace todas las escobillas si se han desgastado a un largo de 10mm (3/8 pulg.) o menos.

Para la inspección de las escobillas de carbón consulte con su Centro Autorizado de Servicio.

**PARA SU SEGURIDAD: Al prestar servicio a la máquina, todas las reparaciones deben realizarse por una persona calificada de servicio.**

# OPERACIÓN

## MANTENIMIENTO DE LA BATERÍA

**⚠ ADVERTENCIA:** Las baterías emiten hidrógeno. Mantenga chispas y llamas alejadas de la máquina. Mantenga el compartimento de la batería abierto mientras realiza la operación de carga.

**PARA SU SEGURIDAD:** Al prestar servicio a la máquina, utilice guantes y gafas de protección al trabajar con las baterías o sus cables. Evite el contacto con el ácido de la batería.

1. Siga siempre las instrucciones apropiadas de carga (vea CARGA DE LA BATERÍA).
2. Inspeccione el nivel del electrolito (A) en cada celda de la batería. El nivel debe estar a 1 cm (3/8 pul.) desde el fondo de los tubos de mirilla después de cargar. Agregue flúido destilada si requerido. **NO LLENE EN EXCESO.** Baterías llenadas en exceso pueden derramarse durante la carga debido a la expansión del líquido (Figura 39).

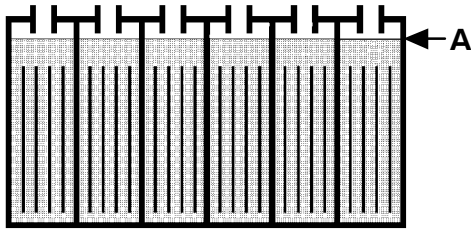


FIG. 39

3. Después de cargar las baterías, mida la gravedad específica en cada celda de la batería usando un hidrómetro (Figura 40). Esto determina el nivel de carga y condición de las baterías. Si resulta que una o más de las celdas de la batería son inferiores que la otra celda de batería (0.050 o más), la celda está dañada, acortada, o está por fallar.

**NOTA:** No lea inmediatamente después de agregar agua destilada. El agua y el ácido deben mezclarse bien para obtener una lectura exacta.



FIG. 40

GRAVEDAD ESPECIFICA a 27°C (80°F)	CARGA DE LA BATERÍA
1.265	100% CARGADA
1.223	75% CARGADA
1.185	50% CARGADA
1.148	25% CARGADA
1.110	DESCARGADA

**NOTA:** Agregue o reste 0.004 de lectura de gravedad por cada 6°C (10°F) sobre o debajo de 27°C (80°F).

4. Mantenga los topos de la batería limpios y secos.
  - a. Mezcle una solución potente de soda cáustica y agua (Figura 41).



FIG. 41

- b. Cepille con un poco de solución los topos, terminales y conectores de cable de la batería.
- NOTA:** No permita que la solución de soda cáustica penetre a las celdas de la batería.
- c. Use un cepillo de alambre para limpiar los terminales y las conexiones de cable.
  - d. Después de limpiar aplique un recubrimiento de protector translúcido de poste de batería a los terminales y conexiones del cable.
5. Inspeccione por cables flojos o gastados. Reemplace si están gastados.



## TRANSPORTE DE LA MÁQUINA

Cuando transporte la máquina en un camión o remolque, asegúrese de seguir los pasos siguientes para sujetar la máquina:

**PARA SU SEGURIDAD: Al usar la máquina, avance lentamente sobre pendientes y superficies resbalosas.**

1. Retire la escobilla de goma de la máquina y levante el cabezal de fregado. Deje instalado el cepillo o la almohadilla.
2. Cargue la máquina utilizando la rampa de carga recomendada.
3. Coloque la parte delantera de la máquina contra la parte delantera del remolque o camión. Una vez colocada la máquina, baje el cabezal del cepillo.
4. Coloque un calzo detrás de las ruedas.
5. Pase las cintas de sujeción por la parte superior de la máquina y sujételas al suelo. Puede ser necesario instalar varios soportes de sujeción en el suelo de su camión o remolque.

**PARA SU SEGURIDAD: Al transportar la máquina, use una rampa recomendada cuando cargue al/descargue del camión o acoplado, use correas de amarre para asegurar la máquina al camión o acoplado.**

## ALMACENAMIENTO DE LA MÁQUINA

1. Antes de guardar la máquina, asegúrese de aclarar y vaciar todo el agua de los depósitos de la máquina.
2. Guarde la máquina en un sitio seco desmontando la escobilla de goma y con el cabezal de fregado en la posición elevada.
3. Quite la tapa de recuperación para facilitar la circulación de aire.

**ATENCIÓN: Si guarda la máquina a temperaturas inferiores a 0°C, asegúrese de vaciar todo el agua de la máquina. La garantía no cubre averías causadas por heladas.**

**⚠ ADVERTENCIA: No use al aire libre o en superficies húmedas. No exponga a la lluvia. Almacén bajo techo.**

## ARTICULOS RECOMENDADOS A TENER EN EXISTENCIA

Consulte la sección de Lista de Repuestos para ver que productos son los recomendados. Los elementos de almacén están claramente identificados con una marca colocada delante de la descripción de la pieza. Consulte el siguiente ejemplo:

Ref.	Part No.	Description	Qty.
1	201103	ASBL STANDPIPE	1
2	180612	●FLOAT, SHUTOFF	1
3	230197	NIPPLE	1
4	101714	●GASKET	1
5	210240	NUT, FLANGED	1

# OPERACIÓN

## LOCALIZACIÓN DE AVERÍAS

PROBLEMA	CAUSA	SOLUCIÓN
No hay alimentación, no funciona nada.	Contacto para la llave defectuoso	Contactar con el Servicio Técnico.
	Las baterías necesitan ser cargadas.	Consultar el apartado de CARGA DE LAS BATERÍA.
	Batería(s) defectuosa(s).	Sustituir la(s) batería(s).
	Cable de la batería suelto.	Fijar el cable suelto.
	Cortacircuitos PRINCIPAL activado.	Determinar la causa y reajustar el botón del cortacircuitos.
Motor del cepillo no funciona.	Interruptor del accionador del cepillo defectuoso.	Contactar con el Servicio Técnico.
	No se ha tirado de los accionadores del cepillo.	Tirar de los accionadores del cepillo.
	Cortacircuitos del cepillo activado.	Limpiar o sustituir la almohadilla y reajustar el botón del cortacircuitos.
	Cableado o motor del cepillo defectuosos.	Contactar con el Servicio Técnico.
	Cepillos de carbón gastados.	Contactar con el Servicio Técnico.
	Solenoide del cepillo defectuoso.	Contactar con el Servicio Técnico.
Motor de aspiración no funciona.	Interruptor de la aspiración defectuoso.	Contactar con el Servicio Técnico.
	Cortacircuitos principal activado.	Retirar la obstrucción y reajustar el botón del cortacircuitos.
	Cableado o motor de aspiración defectuoso.	Contactar con el Servicio Técnico.
	Cepillos de carbón gastados.	Contactar con el Servicio Técnico.
Flujo de la disolución escaso o nulo.	Interruptor de la disolución apagado.	Encender el interruptor de la disolución.
	Tubería de la disolución o filtro del depósito de la disolución bloqueados.	Extraer la manguera y limpiarla con aire comprimido. Aclarar el depósito de la disolución después de cada uso.
	Válvula o solenoide de la disolución bloqueados.	Retirar la válvula o el solenoide y limpiar. No raye el interior de la válvula.
	Interruptor o solenoide de la disolución defectuoso.	Contactar con el Servicio Técnico.
	Es necesario ajustar el botón de ajuste del flujo de la disolución.	Gire el botón de ajuste del flujo de disolución al ajuste deseado.
	Opción ES: El filtro de ES tiene obstrucciones.	Extraer y limpiar el filtro ES.
	Opción ES: Bomba de ES defectuosa.	Contactar con el Servicio Técnico.

**LOCALIZACIÓN DE AVERÍAS - continuación**

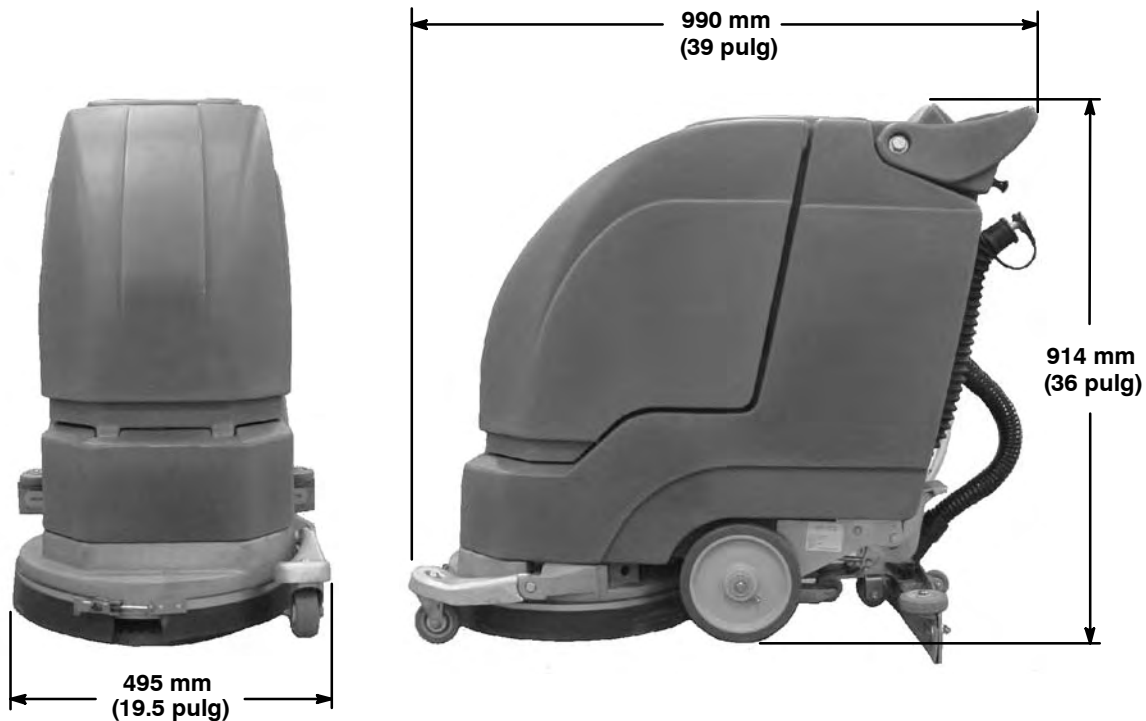
<b>PROBLEMA</b>	<b>CAUSA</b>	<b>SOLUCIÓN</b>
Tiempo de funcionamiento demasiado corto.	Las baterías no están totalmente cargadas.	Cargar las baterías.
	Elemento defectuoso en una o más baterías.	Sustituir la batería.
	Las baterías necesitan una revisión.	Consultar el apartado de <b>MANTENIMIENTO DE LA BATERÍA.</b>
	Cargador defectuoso.	Reparar o sustituir el cargador de la batería.
Recogida de agua insuficiente.	Depósito de recuperación lleno y flotador de cierre activado.	Vaciar el depósito de recuperación.
	Filtro del flotador de cierre del interior del depósito de recuperación bloqueado.	Extraer el filtro y limpiar.
	Escobilla de goma bloqueada.	Limpiar la escobilla de goma.
	Láminas de la escobilla de goma gastadas.	Sustituir las láminas de la escobilla de goma.
	Palometas de la escobilla de goma sueltos.	Apretar las palometa.
	Conexiones de la manguera de aspiración sueltas o la manguera está perforada.	Introducir bien la manguera de aspiración en sus conexiones. Sustituir la manguera si está dañada.
	Manguera de aspiración bloqueada.	Retirar los residuos que la bloquean.
	Orificio de entrada del depósito de recuperación bloqueado.	Vaciar el depósito de recuperación y levantarlo lateralmente para poder acceder al orificio de entrada, retirar la obstrucción.
	Junta del depósito defectuosa.	Sustituir la junta.
	Tapón de la manguera de vaciado mal cerrado.	Cerrar bien el tapón de vaciado.
	Tapa del depósito de recuperación mal cerrada.	Cerrar la tapa.
	Motor de aspiración suelto.	Contactar con el Servicio Técnico.
	Nivel de carga de las baterías bajo.	Cargar las baterías. No utilizar la máquina cuando la aguja indicadora del nivel de carga de la batería se encuentra en la zona roja.

# OPERACIÓN

## ESPECIFICACIONES

MODELO	Speed Scrub 1701 Plus
LONGITUD	990 mm (39 pulg)
ANCHURA	495 mm (19.5 pulg)
ALTURA	914 mm (36 pulg)
PESO	71Kg (158 lbs), 131Kg (290 lbs) con baterías
CAPACIDAD DEL DEPÓSITO DE RECUPERACIÓN	28.5L (7.5 gal)
CAPACIDAD DEL DEPÓSITO DE LA DISOLUCIÓN	28.5L (7.5 gal)
CAPACIDAD DE LLENADO DE LA DISOLUCIÓN-ES	42.5L(11.25 gal)
SISTEMA IMPULSOR	Impulsado por el cepillo
TASA DE LIMPIEZA	1375m <sup>2</sup> por hora (14,800 sq. ft.)
ANCHURA DEL CARRIL DE LIMPIEZA	430 mm (17 pulg)
DIÁMETRO DE LA ALMOHADILLA	430 mm (17 pulg)
PRESIÓN DE LA ALMOHADILLA	Variable 30-44Kg (65-95lbs)
ANCHURA DE LA ESCOBILLA DE GOMA	670 mm (26.5 pulg)
POTENCIA TOTAL	35A nominal
MOTOR DEL CEPILLO	.75 h.p., 165 rpm, 24V, 33A
MOTOR DE ASPIRACIÓN	.75 h.p., 2-tiempos 5.7", 24V, 15A, 560W
ELEVACIÓN DE AGUA	1140 mm (45 pulg)
BATERÍAS	2-12V, 130AH
AUTONOMÍA POR CARGA	Hasta 3 horas
NIVEL DE RUIDO EN DECIBELIOS A LA ALTURA DEL OPERARIO EN RECINTO CERRADO CON SUELO DE BALDOSAS.	69.5dB(A)

## DIMENSIONES DE LA MÁQUINA



Ce manuel est fourni avec chaque nouveau modèle. Il fournit les instructions nécessaires au fonctionnement et à l'entretien.

**Lisez complètement ce manuel et familiarisez-vous avec la machine avant de l'utiliser ou de l'entretenir.**

Une liste complète de pièces détachées avec illustrations accompagne également chaque nouveau modèle. Utilisez la liste de pièces détachées pour commander des pièces de rechange. Avant de commander des pièces ou des fournitures, soyez sûr d'avoir avec vous le numéro de modèle de la machine et le numéro de série. Les pièces et les fournitures se commandent par téléphone ou par courrier auprès de tout centre de dépannage agréé, de tout distributeur ou de l'une des filiales du fabricant.

Cette machine vous fournira d'excellents services. Toutefois, vous obtiendrez les meilleurs résultats pour un prix de revient minimum si:

- La machine est manipulée avec un certain soin.
- La machine fait l'objet d'un entretien régulier conformément aux instructions d'entretien de ce manuel.
- L'entretien de la machine est effectué avec des pièces fournies par le fabricant ou des pièces équivalentes.

## DONNÉES DE LA MACHINE

A remplir au moment de l'installation à titre de référence.

Modèle n° \_\_\_\_\_

Date d'installation - \_\_\_\_\_

N° série - \_\_\_\_\_



### PROTECTION DE L'ENVIRONNEMENT

Veillez éliminer les matériaux d'emballage, les composants d'anciennes machines comme les batteries, les fluides dangereux tels que l'antigel ou l'huile, d'une manière sûre au point de vue environnemental, suivant la réglementation locale en vigueur en matière d'élimination des déchets.

N'oubliez pas de toujours recycler.



## TABLE DES MATIÈRES

<b>MESURES DE SÉCURITÉ</b> .....	47	<b>TRANSPORT DE LA MACHINE</b> .....	62
<b>ÉTIQUETTES DE MISE EN GARDE</b> .....	48	<b>ENTREPOSAGE DE LA MACHINE</b> .....	63
<b>COMPOSANTS DE LA MACHINE</b> .....	49	<b>PIECES DE STOCK RECOMMANDEES</b> .....	63
<b>SYMBOLES DU PANNEAU DE COMMANDE</b> ..	49	<b>DEPISTAGE DES PANNES</b> .....	64
<b>INSTALLATION DE LA MACHINE</b> .....	50	<b>SPECIFICATIONS</b> .....	66
DEBALLAGE DE LA MACHINE .....	50	<b>DIMENSIONS DE LA MACHINE</b> .....	67
MISE EN PLACE DES BATTERIES .....	50	<b>SYSTÈM ÉLECTRIQUE</b> .....	68
<b>MISE EN SERVICE DE LA MACHINE</b> .....	52	<b>LISTE DES PIÈCE</b> .....	70
FIXATION DU BLOC RACLOIR .....	52	GROUPE REMPLACEMENT DES BROSSES	
MISE EN PLACE DU SYSTEME		ET DU PIGNON MENANT DE PATIN .....	70
D'ENTRAÎNEMENT DU PATIN OU DE LA		ENSEMBLE DU RÉSERVOIR DE	
BROSSE .....	52	SOLUTION .....	72
DEPOSE DU SYSTEME D'ENTRAÎNEMENT		GROUPE RESERVOIR DE	
OU DE LA BROSSE .....	53	RECUPERATION .....	74
REPLISSAGE DU RESERVOIR		GROUPE ROUE .....	76
DE SOLUTION .....	54	GROUPE TETE DE BROSSAGE A DISQUE	78
REGLAGE DE LA HAUTEUR DE LA		ENSEMBLE DES CONDUITES .....	80
POIGNEE DE COMMANDE .....	54	GROUPE MOTEUR D'EXTRACTEUR .....	82
<b>UTILISATION DE LA MACHINE</b> .....	55	GROUPE DE LA RACLETTE .....	84
VERIFICATIONS PRELIMINAIRES .....	55	POIGNÉE GROUPE .....	86
NETTOYAGE AVEC LA MACHINE .....	55	GROUPE TABLEAU DE COMMANDE .....	87
UTILISATION DU MODELE ES .....	56	GROUPE DE BATTERIE ET	
PENDANT LE FONCTIONNEMENT DE LA		DE CHARGEUR .....	88
MACHINE .....	56	<b>ÉQUIPEMENT AU CHOIX</b> .....	90
FONCTIONNEMENT DES ACCESSOIRES		GROUPE ES .....	90
(EN OPTION) .....	57	GROUPE POMPE D'AUXILIAIRE	
COUPE-CIRCUIT .....	57	D'EXTRACTION .....	92
<b>REGLAGES DE LA MACHINE</b> .....	58	GROUPE COMPTEUR HORAIRE ET	
REGLAGE DU DEBIT DE SOLUTION .....	58	INTERRUPTEUR BASSE TENSION .....	94
REGLAGE DE LA PRESSION DU PATIN ...	58	GROUPE RACLOIR AUXILIAIRE	
ADJUSTING SQUEEGEE LIFT CABLE ....	58	D'EXTRACTION .....	95
<b>VIDANGE DES RESERVOIRS</b> .....	58	GROUPE AUXILIAIRE D'EXTRACTION	
VIDANGE DU RESERVOIR		DELUXE .....	96
DE RECUPERATION .....	58	GROUPE AUXILIAIRE D'EXTRACTION ....	98
VIDANGE DU RESERVOIR DE SOLUTION .	59	GROUPE TUYAU D'AUXILIAIRE	
<b>CHARGE DES BATTERIES</b> .....	59	D'EXTRACTION .....	100
<b>ENTRETIEN DE LA MACHINE</b> .....	60		
ENTRETIEN QUOTIDIEN .....	61		
ENTRETIEN HEBDOMADAIRE .....	61		
ENTRETIEN MENSUEL .....	61		
ENTRETIEN TRIMESTRIEL .....	61		
ENTRETIEN DES BATTERIES .....	61		

## MESURES DE SÉCURITÉ

Cette machine est conçue pour un usage commercial. Elle est destinée exclusivement à nettoyer les sols intérieurs à surface dure et ne convient pas à un quelconque autre usage. Utilisez uniquement des patins, des brosses et des produits nettoyants pour sols disponibles dans le commerce, prévus pour l'application de la machine.

Tous les opérateurs sont tenus de lire et comprendre les consignes de sécurité suivantes et de se familiariser avec celles-ci.

Le symbole de mise en garde suivant et l'en-tête « POUR VOTRE SECURITE » sont utilisés tout au long de ce manuel comme indiqué dans leur description :

**⚠ MISE EN GARDE:** identifie la présence de dangers ou les opérations dangereuses susceptibles de blesser grièvement ou de provoquer la mort.

**POUR VOTRE SECURITÉ:** identifie les instructions qui doivent être suivies afin de garantir la sécurité lors de l'utilisation de l'équipement.

Le fait de ne pas respecter ces avertissements peut entraîner des blessures, un choc électrique, un incendie ou une explosion.

**⚠ MISE EN GARDE:** danger d'incendie ou d'explosion:

- N'utilisez jamais de liquides inflammables ou n'utilisez pas la machine dans ou près de liquides ou vapeurs inflammables ou de poussières combustibles.

*Cette machine n'est pas équipée de moteurs protégés contre les explosions. Les moteurs électriques émettent des étincelles au moment du démarrage et pendant leur fonctionnement, ce qui peut entraîner un incendie instantané ou une explosion si la machine est utilisée dans une zone où des vapeurs/liquides inflammables ou des poussières combustibles, sont présents.*

- Ne ramassez pas de matériaux inflammables ou de métaux réactifs.
- Les batteries émettent du gaz hydrogène. Évitez toute étincelle et toute flamme nue à proximité des batteries. Laissez ouvert le compartiment des batteries pendant la mise en charge.

**⚠ MISE EN GARDE :** danger de choc électrique. Débranchez les câbles de la batterie avant l'entretien ou la réparation de la machine.

**⚠ MISE EN GARDE :** brosse en rotation. Éloignez vos mains. Coupez le contact avant de travailler sur la machine.

Les signaux d'information ci-après indiquent les situations potentiellement dangereuses pour l'opérateur ou l'équipement:

### POUR VOTRE SECURITÉ:

1. N'utilisez pas la machine:
  - Avec des liquides inflammables ou près de vapeurs inflammables, afin d'éviter le risque d'explosion ou d'incendie instantané.
  - Si vous n'y êtes pas formé et autorisé.
  - Avant d'avoir lu et compris le manuel opérateur.
  - Si elle n'est pas en bon état de marche.
2. Avant d'utiliser la machine:
  - Assurez-vous que tous les dispositifs de sécurité se trouvent à leur place et fonctionnent correctement.
3. Lors de l'utilisation de la machine:
  - Roulez lentement sur les pentes et sur les surfaces glissantes.
  - Portez des chaussures antidérapantes.
  - Use care when reversing machine.
  - Signalez immédiatement tout dommage occasionné à la machine ou tout mauvais fonctionnement.
  - Empêchez les enfants de jouer à proximité de la machine.
  - Suivez les instructions de mélange et de manipulation indiquées sur les conteneurs chimiques.
4. Avant de quitter ou d'entretenir la machine:
  - Arrêtez la machine sur une surface horizontale.
  - Coupez le contact de la machine.
5. Lors de l'entretien de la machine :
  - Évitez les pièces mobiles. Ne portez pas de veste ou de chemise large ou de manches amples.
  - Portez la protection auditive d'oeil et en utilisant l'air ou l'eau pressurisé.
  - Déconnectez les cosses des batteries avant de travailler sur la machine.

## FONCTIONNEMENT

- Portez des gants et des lunettes de protection lorsque vous maniez les batteries ou les câbles de batteries.
  - Évitez tout contact avec l'acide des batteries.
  - Utilisez des pièces de rechanges fournies ou agréées par le fabricant.
  - Toutes les réparations doivent être effectuées uniquement par un technicien qualifié.
  - Ne modifiez pas le design d'origine de la machine.
6. Lors du transport de la machine:
- Coupez le contact de la machine.
  - Demandez de l'aide pour soulever la machine.
  - Ne soulevez pas la machine lorsque les batteries sont installées.
  - Lorsque vous chargez la machine sur le camion ou la remorque ou lorsque vous la déchargez, utilisez une rampe recommandée.
  - Utilisez des sangles pour arrimer la machine sur le camion ou la remorque.

## ÉTIQUETTES DE MISE EN GARDE

Les étiquettes de mise en garde se trouvent sur la machine aux endroits indiqués. Remplacez les étiquettes lorsqu'elles sont endommagées ou qu'elles deviennent illisibles.

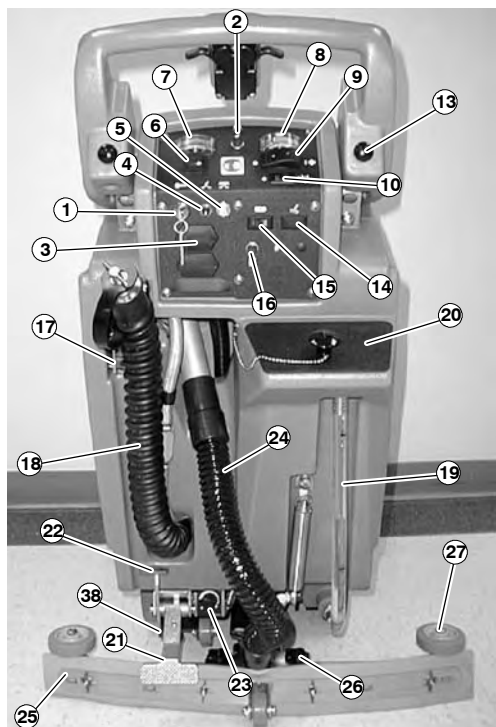
ETIQUETTE MISE EN GARDE - SITUEE SUR LE COUVERCLE DU RESERVOIR DE RECUPERATION.

	<b>⚠ WARNING</b>	<b>⚠ AVERTISSEMENT</b>	<b>⚠ ADVERTENCIA</b>
	<b>EXPLOSION, FIRE AND SHOCK HAZARD. AVOID INJURY.</b>	<b>RISQUE D'EXPLOSION, D'INCENDIE ET DE DÉCHARGE. ÉVITEZ LES BLESSURES.</b>	<b>PELIGRO DE EXPLOSIÓN, FUEGO, DESCARGA EVITE LESIONES.</b>
	<b>• Do Not Use or Pick Up Flammable Materials.</b>	<b>• N'utilisez Pas ou Ne Ramassez Pas de Matériaux Inflammables.</b>	<b>• No Use Ó Recoja Materiales Flamables.</b>
	<b>• Do Not Use Near Flammable Liquids, Vapors or Combustible Dusts.</b>	<b>• N'utilisez Pas Près de Liquides, Vapeurs ou Poussières Inflammables.</b>	<b>• No Use Cerca De Líquidos Flamables, Vapores Ó Materiales Combustibles.</b>
	<b>• Keep Sparks and Open Flame Away When Charging Batteries. Keep Battery Hood Open When Charging.</b>	<b>• Éloignez les Sources d'Étincelles ou de Flamme Ouverte Lors du Chargement des Batteries. Laissez Ouvert le Capot du Compartiment des Batteries Lors de la Mise en Charge.</b>	<b>• Mantenga Chispas Y Fuego Alejados Mientras Carga Baterías. Mantenga Tapa De Batería Abierta Mientras Carga.</b>
	<b>• Disconnect Battery Cables and Charger Cord Before Servicing.</b>	<b>• Débranchez les Câbles de Batterie et la Cordon du Chargeur Avant l'Entretien.</b>	<b>• Desconecte Cable De Batería Y Cable Del Cargador Antes Del Mantenimiento.</b>
			1026386













## COMPOSANTS DE LA MACHINE



- |   |  |   |
|---|--|---|
| <ul style="list-style-type: none"> <li>1. Contact</li> <li>2. Voyant marche-arrêt</li> <li>3. Compteur horaire (Opt.)</li> <li>4. Coupe-circuit principal</li> <li>5. Coupe-circuit de la brosse</li> <li>6. Bouton de relâchement de la brosse</li> <li>7. Appareil de mesure de la pression des brosses</li> <li>8. Appareil de mesure de la charge des batteries</li> <li>9. Bouton d'activation/de désactivation de l'extracteur</li> <li>10. Bouton d'activation/de désactivation du système de distribution de la solution</li> <li>11. Bouton de levage du racloir</li> <li>12. Poignée de commande</li> <li>13. Boutons de réglage de la hauteur de la poignée de commande</li> </ul> | <ul style="list-style-type: none"> <li>14. Bouton d'activation/de désactivation du manche (Opt.)</li> <li>15. Bouton d'activation/de désactivation du système ES (Modèle ES)</li> <li>16. Voyant de pompe activée (Modèle ES)</li> <li>17. Prise du chargeur</li> <li>18. Tuyau de vidange du réservoir de récupération</li> <li>19. Tuyau de vidange du réservoir de solution avec indicateur de niveau</li> <li>20. Couvercle de porte de remplissage du réservoir de solution</li> <li>21. Pédale de levage de la tête de nettoyage</li> <li>22. Pédale de relâchement de la tête de nettoyage</li> </ul> | <ul style="list-style-type: none"> <li>23. Bouton de réglage du débit de solution</li> <li>24. Tuyau d'aspiration du racloir</li> <li>25. Bloc racloir</li> <li>26. Molettes du racloir</li> <li>27. Roulettes de mur</li> <li>28. Gâchette de la brosse</li> <li>29. Couvercle du réservoir de récupération</li> <li>30. Réservoir de récupération</li> <li>31. Couvercle du compartiment à batteries</li> <li>32. Tête de nettoyage</li> <li>33. Jupe de la tête de nettoyage</li> <li>34. Roulette de transport</li> <li>35. Roues principales</li> <li>36. Raccord du tuyau de solution du manche (Opt.)</li> <li>37. Réservoir de solution</li> <li>38. Bouton de réglage de la pression du patin</li> </ul> |
|---|--|---|

## SYMBOLES DU PANNEAU DE COMMANDE

- |   |  |   |   |
|---|--|---|---|
|  Voyant de l'alimentation principale |  Bouton de l'extracteur                           |  Coupe-circuit du moteur de brosse (35A) |  Dispositif de mesure de la charge des batteries |
|  Contact                             |  Bouton du système de distribution de la solution |  Coupe-circuit principal (20A)           |  Lisez d'abord le mode d'emploi                  |

---

## INSTALLATION DE LA MACHINE

---

---

### DEBALLAGE DE LA MACHINE

Vérifiez soigneusement si le carton ne présente pas de traces d'endommagement. Signalez immédiatement tout dommage au transporteur.

Vérifiez le contenu du carton pour vous assurer que la livraison est complète. Contactez le distributeur pour tout élément manquant.

Contenu du carton:

- 1 - Câble De Batterie #602871
- 1 - Câble Asm. #6X24" noir #603208
- 2 - batteries 12 V CC 130 AH #130869 (incluses avec machine PAC)
- 1 - chargeur de batterie, 24 V/15 A 120 V #603553 (inclus avec la machine PAC)

Pour déballer la machine, enlevez les sangles et soulevez-la avec précaution ou fabriquez une rampe avec les cartons de la boîte pour retirer la machine de la palette.

**POUR VOTRE SECURITÉ : Demandez de l'aide pour soulever la machine. Ne soulevez pas la machine lorsque les batteries sont installées.**

Relevez la tête de nettoyage en position de transport avant de manoeuvrer la machine. Appuyez fermement sur la pédale de levage de la tête de nettoyage pour relever la tête de nettoyage (Figure 1).

**REMARQUE:** Pour éviter d'endommager la jupe de la tête de nettoyage, laissez toujours la machine en position de transport quand le système d'entraînement du patin n'est pas installé.



FIG. 1

**ATTENTION: Ne faites pas rouler la machine hors de la palette, afin d'éviter son endommagement.**

**ATTENTION: La mise en place des batteries doit avoir lieu après déballage de la machine.**

Le bloc racloir est emballé avec la machine.

Les batteries, le chargeur de batteries, la brosse, le système d'entraînement du patin et les patins doivent être achetés séparément. Consultez un distributeur agréé pour obtenir des patins et des brosses spécifiques.

**ATTENTION : L'utilisation de pièces autres que celles recommandées par le fabricant, peut occasionner des dommages.**

---

### MISE EN PLACE DES BATTERIES

**⚠ MISE EN GARDE: danger d'incendie ou d'explosion. Les batteries émettent du gaz hydrogène. Evitez toute étincelle et toute flamme nue à proximité des batteries. Laissez ouvert le capot du compartiment des batteries pendant la mise en charge.**

**POUR VOTRE SECURITÉ: Lorsque vous entretenez la machine, portez des gants et des lunettes de protection lorsque vous maniez les batteries et les câbles de batterie. Evitez tout contact avec l'acide des batteries.**

#### Spécifications des batteries:

Deux batteries de 12 volts à cycle intensif. Consultez votre distributeur agréé pour obtenir les batteries spécifiques. Dimensions maximum des batteries: 17,8 cm de largeur x 33 cm de longueur x 25,4 cm de hauteur.

1. Garez la machine sur une surface horizontale, désactivez tous les boutons et enlevez la clé.
2. Enlevez le couvercle du compartiment à batteries pour accéder au compartiment à batteries. Ensuite, enlevez le support métallique de batterie et débranchez le câble de batterie du compartiment.

- Débranchez le tuyau d'aspiration de la trompe du réservoir de récupération. Installez avec précaution la batterie inférieure dans le compartiment, avec les bornes positionnées vers l'arrière de la machine (Figure 2).



FIG. 2

**ATTENTION: Ne laissez pas tomber les batteries dans le compartiment, afin d'éviter d'endommager les batteries et le châssis de la machine. Ces dommages ne sont pas couverts par la garantie.**

- Connectez le câble de batterie rouge de la machine à la borne positive (+) de la batterie inférieure. Connectez ensuite le câble de démarrage noir à la borne négative (-) (Figure 4).
- Après la connexion des câbles à la batterie inférieure, accrochez avec précaution le plateau de batterie métallique aux montants situés au-dessus de la batterie inférieure. Placez la batterie supérieure sur le plateau, avec les bornes positionnées vers l'arrière de la machine. Fixez la batterie supérieure à l'aide de la sangle (Figure 3).



FIG. 3

- Connectez le câble de batterie noir de la machine à la borne négative (-) de la batterie supérieure. Connectez ensuite l'extrémité opposée du câble de démarrage noir à la borne positive (+) (Figure 4).

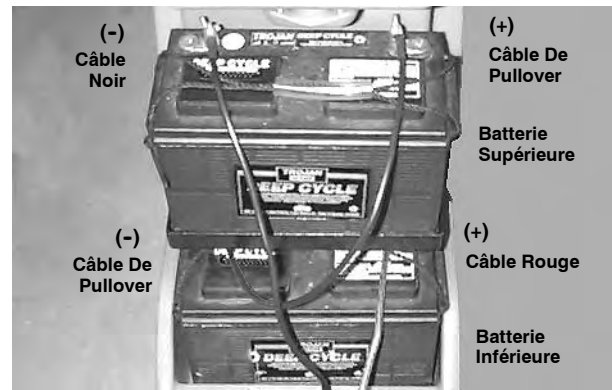


FIG. 4

- Branchez à nouveau le tuyau d'aspiration sur la trompe du réservoir de récupération, comme indiqué (Figure 5).



FIG. 5

- Après l'installation des batteries, mettez le contact, appuyez sur le bouton d'aspiration et contrôlez le niveau de charge des batteries. Chargez les batteries si nécessaire (Voir CHARGEMENT DES BATTERIES) (Figure 6).



FIG. 6

## MISE EN SERVICE DE LA MACHINE

### FIXATION DU BLOC RACLOIR

1. Tournez la clé en position OFF.

**POUR VOTRE SECURITÉ : Avant de quitter ou d'entretenir la machine, arrêtez-la sur une surface horizontale, coupez le contact.**

2. Relevez la bride de fixation du racloir en déplaçant le bouton de levage du racloir vers la gauche (Figure 7).



FIG. 7

3. Desserrez les deux molettes qui se trouvent sur le bloc racloir et faites glisser le racloir dans les fentes de la bride de fixation du racloir (Figure 8).



FIG. 8

4. Resserrez bien les molettes.
5. Branchez le tuyau d'aspiration de la machine au bloc racloir (Figure 9).



FIG. 9

### MISE EN PLACE DU SYSTEME D'ENTRAÎNEMENT DU PATIN OU DE LA BROsse

1. Sélectionnez le patin ou la brosse répondant le mieux à vos besoins.

**REMARQUE :** Consultez un distributeur agréé pour toute recommandation en matière de patin/brosse.

2. Fixez le patin au système d'entraînement du patin avant de monter le système d'entraînement sur le moyeu du moteur. Fixez le patin avec la bague de blocage centrale en plastique (Figure 10).



FIG. 10

3. Mettez le contact (Figure 11).



FIG. 11

- Déposez le système d'entraînement du patin ou la brosse sur le sol devant la machine (Figure 12).



FIG. 12

- Basculez la machine sur l'arrière pour centrer la tête de nettoyage au-dessus du système d'entraînement du patin (Figure 12).
- ÉTAPE IMPORTANTE** : Désengagez la pédale de soulèvement de la brosse de la position de transport (Figure 13). Alignez le moyeu du moteur vers le bas à l'intérieur du pignon menant de patin/de la brosse.



FIG. 13

- Appuyez sur les déclencheurs pour engager le pignon menant de patin/la brosse. **Assurez-vous que la roue avant est en position relevée** (Figure 14).

**REMARQUE** : Lorsque le pignon menant de patin ou la brosse ne sont pas installés, veillez à garder la machine en position de transport afin d'éviter un endommagement de la jupe.



FIG. 14

**REMARQUE**: Avant d'installer le système d'entraînement ou la brosse, assurez-vous que la surface de montage est propre. Une surface propre facilite la dépose du système d'entraînement du patin.

## DEPOSE DU SYSTEME D'ENTRAINEMENT OU DE LA BROSSSE

- Relevez la tête de nettoyage en position de transport. Appuyez fermement sur la pédale de levage de la tête de nettoyage pour relever la tête de nettoyage (Figure 15).



FIG. 15

- Mettez le contact.
- Basculez la machine sur l'arrière.
- Actionnez la gâchette de la brosse, puis relâchez-la rapidement tout en appuyant sur le bouton de relâchement de la brosse. Le système d'entraînement du patin/la brosse s'éjecte automatiquement du moyeu du moteur. Si il/elle ne se libère pas, recommencez l'opération (Figure 16).

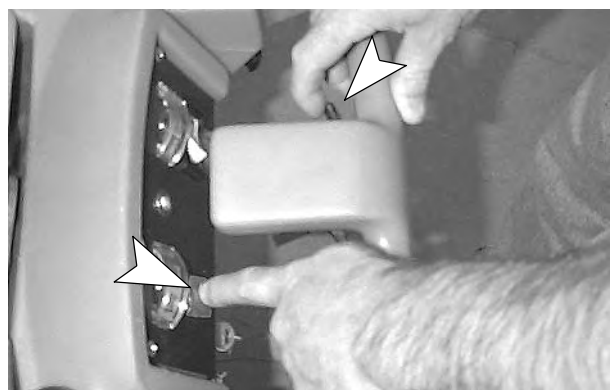


FIG. 16

**REMARQUE**: Pour éviter d'endommager la jupe de la tête de nettoyage, laissez toujours la machine en position de transport quand le système d'entraînement du patin ou la brosse n'est pas installé.

## REPLISSAGE DU RESERVOIR DE SOLUTION

1. Transportez la machine jusqu'au poste de ravitaillement. Relevez le raclor et la tête de nettoyage pendant le nettoyage pendant le transport.
2. Coupez le contact.
3. Retirez le couvercle de la porte de remplissage du réservoir de solution.
4. Remplissez le réservoir de solution de 28L (7.5 gal) d'eau claire au moyen d'un tuyau comme illustré. [température maximum 60°C (140°F)]. Si vous remplissez avec un seau, utilisez un seau à bec verseur (Figure 17).



FIG. 17

**REMARQUE:** Si vous remplissez le réservoir avec un seau, assurez-vous que le seau est propre. Ce, afin d'éviter tout risque d'obstruction des conduites du système de distribution de la solution.

5. Ajoutez un nettoyant. Appliquez le taux de dilution indiqué sur le flacon.
6. Remplacez le couvercle de la porte de remplissage du réservoir de solution.

**POUR VOTRE SECURITE:** Quand vous utilisez la machine, suivez les instructions de mélange et de manipulation indiquées sur les conteneurs chimiques.

**ATTENTION :** Utilisez uniquement les détergents recommandés. Un endommagement de la machine dû à l'utilisation d'un détergent impropre, entraînera l'annulation de la garantie. Contactez votre agent commercial pour les recommandations en matière de détergents.

**⚠ MISE EN GARDE:** Les matières inflammables peuvent causer une explosion ou un incendie. N'utilisez pas de matières inflammables dans le(s) réservoir(s).

7. Si vous utilisez le modèle ES, vous pouvez remplir partiellement le réservoir de récupération afin de prolonger la durée de nettoyage.

- a. Enlevez le couvercle du réservoir de récupération et remplissez le réservoir de 13L (3.5 gal) d'eau claire [température maximum 60°C (140°F)]. Refermez le couvercle.
- b. Assurez-vous que le bouton ES activé quand vous utilisez la machine (Figure 18).



FIG. 18

- c. Le voyant ES s'allume quand la pompe ES effectue le recyclage.

## REGLAGE DE LA HAUTEUR DE LA POIGNEE DE COMMANDE

La poignée de commande a trois réglages de la hauteur permettant de la régler à une hauteur confortable.

1. Localisez les boutons de réglage de la poignée de commande situés sur la poignée. (Figure 19).
2. Tirez les deux boutons, relevez ou abaissez la poignée et relâchez les boutons pour bloquer (Figure 19).



FIG. 19

## UTILISATION DE LA MACHINE

**POUR VOTRE SECURITE: N'utilisez la machine qu'après avoir lu et compris le manuel opérateur.**

### VERIFICATIONS PRELIMINAIRES

- Balayez le sol pour enlever les particules et autres débris.
- Vérifiez le niveau de charge des batteries sur l'appareil de mesure de la charge des batteries pour vous assurer que les batteries sont chargées. (Voir CHARGE DES BATTERIES)
- Contrôlez l'état du patin ou de la brosse.
- Contrôlez l'état des lames de racloir.

### NETTOYAGE AVEC LA MACHINE

1. Relâchez la pédale de levage de la brosse de la position de transport en appuyant sur la pédale de relâchement de la tête de nettoyage (Figure 20).



FIG. 20

2. Abaissez le bloc racloir en déplaçant le bouton de levage du racloir vers la droite (Figure 21).



FIG. 21

3. Mettez le contact et activez l'extracteur et les boutons du système de distribution de la solution (Figure 22).

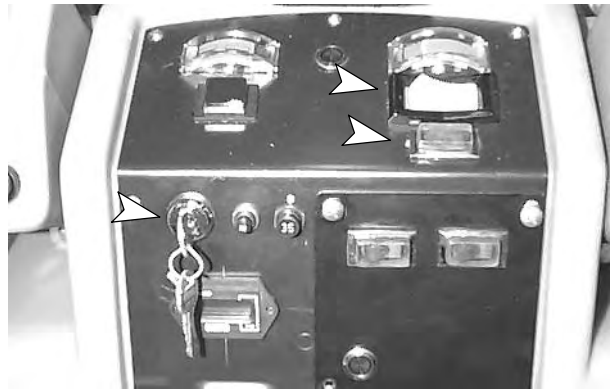


FIG. 22

**REMARQUE:** Le système de distribution de la solution et la brosse ne se mettent pas en marche tant que les gâchettes de la brosse ne sont pas actionnées.

4. Actionnez les gâchettes de la brosse et commencez à marcher en poussant la machine. La brosse fait avancer la machine, réduisant ainsi l'effort nécessaire pour manoeuvrer la machine (Figure 23).



FIG. 23

**REMARQUE:** Il est parfois nécessaire de réduire la pression de la brosse sur les surfaces rugueuses.

# FONCTIONNEMENT

5. Contrôlez l'appareil de mesure de la pression quand vous nettoyez. Utilisez uniquement la machine quand l'aiguille se trouve dans la zone verte. N'utilisez jamais la machine quand l'aiguille se trouve dans la zone rouge (Figure 24).

**REMARQUE:** Si la pression de la brosse doit être réglée, voyez la section REGLAGES DE LA MACHINE.



FIG. 24

**ATTENTION:** Pour éviter d'endommager le sol ou de faire sauter les coupe-circuit des brosses, n'utilisez pas la machine quand l'aiguille indiquant la pression des brosses se trouve dans la zone rouge.

6. Pour utiliser la machine en marche arrière, tirez simplement la machine vers l'arrière en actionnant les gâchettes.
7. Pour arrêter le nettoyage, relâchez les gâchettes de la brosse, désactivez tous les boutons, relevez la tête de nettoyage et le racloir.

## UTILISATION DU MODELE ES

Le modèle ES permet d'allonger la durée de nettoyage en réutilisant l'eau récupérée. L'eau récupérée est filtrée et recyclée dans le réservoir de solution pour être réutilisée.

1. Remplissez le réservoir de récupération de 13L (3.5 gal) quand vous remplissez le réservoir de solution pour utiliser la machine.

**⚠ MISE EN GARDE : danger d'incendie ou d'explosion. N'utilisez jamais la machine dans ou à proximité de liquides et vapeurs inflammables ou de poussières combustibles.**

2. Activez le bouton ES. Pendant le fonctionnement, la pompe ES commence automatiquement le recyclage quand le voyant de pompe ES activée s'allume (Figure 25).



FIG. 25

3. Quand vous avez terminé de nettoyer, veillez à vider et à rincer le réservoir de solution et à nettoyer le filtre ES. (Voir VIDANGE DES RESERVOIRS)

## PENDANT LE FONCTIONNEMENT DE LA MACHINE

**POUR VOTRE SECURITÉ :** lors de l'utilisation de la machine, roulez lentement sur les pentes et sur les surfaces glissantes.

1. Observez la quantité de solution diffusée sur le sol. Si le débit de solution doit être réglé, voyez la section REGLAGES DE LA MACHINE.
2. Vérifiez périodiquement la formation de mousse dans le réservoir de récupération (en regardant par le couvercle transparent). En cas de début de formation importante de mousse, versez un désémulsifiant recommandé dans le réservoir de récupération.

**ATTENTION:** Veillez à ne pas laisser pénétrer de mousse ou d'eau dans le filtre à flotteur, afin d'éviter d'endommager le moteur de l'extracteur. La mousse n'active pas le flotteur. Les dommages du moteur de l'extracteur occasionnés par de la mousse ou de l'eau ne sont pas couverts par la garantie.

3. Utilisez toujours la machine avec précaution pour nettoyer le long de murs ou d'obstacles.
4. Si le racloir laisse des traînées, relevez le racloir et essuyez les lames avec un chiffon. Balayez à préalable la zone pour éviter la formation de traînées. Si le racloir doit être réglé, voyez la section REGLAGES DE LA MACHINE.
5. Laissez les traces de nettoyage se chevaucher de 5 cm (2 in).
6. Remplacez ou retournez les patins quand ils sont sales.
7. Évitez les obstacles au sol tels que plaques de boîtes électriques ou grilles car ils détruisent les patins.



8. Pendant les arrêts de courte durée, il n'est pas nécessaire de désactiver les boutons; les brosses et le système de distribution de la solution s'arrêtent automatiquement quand les gâchettes sont relâchées.
9. Contrôlez périodiquement le niveau de charge des batteries. Quand l'aiguille passe dans la zone rouge, rechargez les batteries.

**ATTENTION: Ne continuez pas à utiliser la machine quand l'aiguille indiquant le niveau de charge des batteries se trouve dans la zone rouge, afin d'éviter d'endommager les batteries.**

**⚠ MISE EN GARDE : danger d'incendie ou d'explosion. Ne ramassez pas de matériaux inflammables ou de métaux réactifs.**

10. Au dernier passage, coupez le bouton du système de distribution de la solution juste avant d'arrêter la machine. Ce, afin de ramasser toute la solution.
11. Quand le réservoir de solution est vide, vidangez le réservoir de récupération.  
(Voir VIDANGE DES RESERVOIRS)

## FONCTIONNEMENT DES ACCESSOIRES (EN OPTION)

1. Fixez le tuyau de solution accessoire sur le raccord rapide.
2. Débranchez le tuyau du racloir du tube d'admission et remplacez-le par le tuyau d'aspiration accessoire.
3. Branchez les tuyaux sur l'auxiliaire d'extraction.
4. Tournez la clé en position ON, activez les commutateurs de pompe d'auxiliaire d'extraction et d'extracteur (Figure 26).

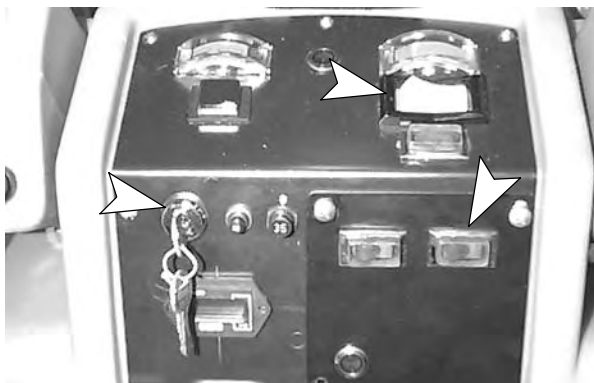


FIG. 26

5. Utilisez l'accessoire de manière normale.

**⚠ MISE EN GARDE : danger d'incendie ou d'explosion. Ne ramassez pas de matériaux inflammables ou de métaux réactifs.**

## COUPE-CIRCUIT

La machine est équipée de deux coupe-circuit pour protéger son endommagement. Le coupe-circuit principal (20A) et le coupe-circuit de la brosse (35A).

Si les coupe-circuit se déclenchent, il n'est pas possible de les réenclencher immédiatement. Déterminez la cause du désenclenchement du coupe-circuit, attendez quelques minutes et réenclenchez le coupe-circuit.  
(Voir DEPISTAGE DES PANNES)

Les coupe-circuit des moteurs des brosses se déclenchent en cas de surcharge du patin. Réduisez la pression du patin ou remplacez le patin si le coupe-circuit se déclenche. Les coupe-circuit se trouvent sur le panneau de commande (Figure 27).

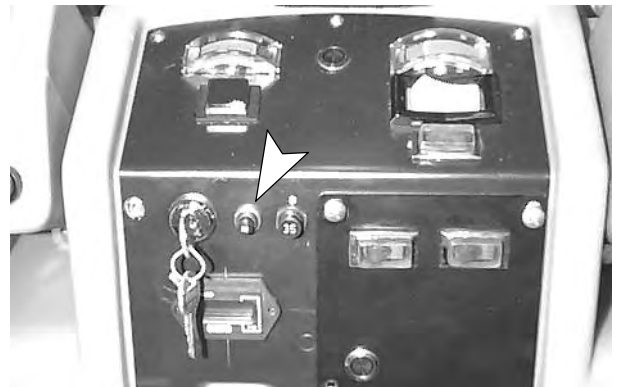


FIG. 27

# FONCTIONNEMENT

---

---

## REGLAGES DE LA MACHINE

---

**POUR VOTRE SECURITE: Avant de quitter ou d'entretenir la machine, arrêtez-la sur une surface horizontale, coupez le contact.**

---

### REGLAGE DU DEBIT DE SOLUTION

Pour augmenter ou réduire le débit maximum de solution, tournez le bouton de réglage pour le mettre dans la position de votre choix. Le bouton de réglage se trouve près de la pédale de levage de la brosse (Figure 28).



FIG. 28

---

### REGLAGE DE LA PRESSION DU PATIN

**REMARQUE:** Il est parfois nécessaire de réduire la pression de la brosse sur les surfaces rugueuses.

Pour régler la pression de la brosse, tournez le bouton de réglage dans le sens contraire des aiguilles d'une montre pour réduire la pression du patin ou dans le sens des aiguilles d'une montre pour augmenter la pression du patin. Le bouton de réglage se trouve sous la pédale de levage de la brosse (Figure 29).

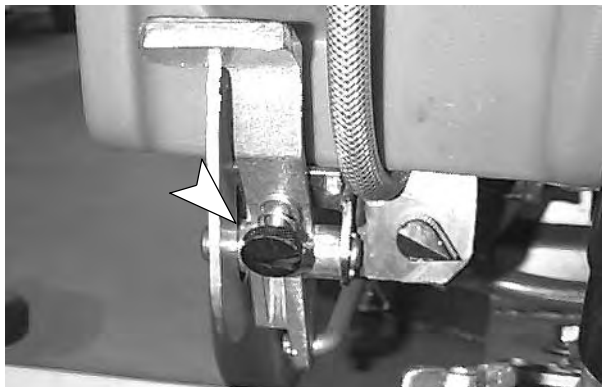


FIG. 29

---

## ADJUSTING SQUEEGEE LIFT CABLE

Pour régler le câble de levage du racloir, desserrez les écrous de blocage et tournez la tige de réglage qui se trouve sur le câble du racloir. Resserrez les écrous de blocage après le réglage (Figure 30).

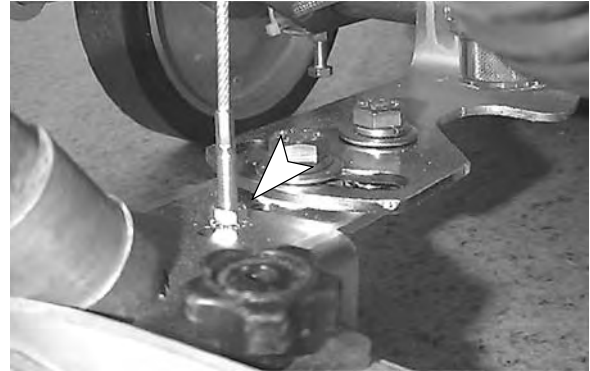


FIG. 30

---

## VIDANGE DES RESERVOIRS

---

**Quand effectuer la vidange du réservoir de récupération :**

- Après chaque utilisation.
- Entre les remplissages du réservoir de solution.
- Lorsque le débit de solution s'arrête durant le broissage.
- Lorsque le filtre à flotteur est activé.
- Lorsque le racloir commence à laisser des traînées d'eau.

**REMARQUE :** Si vous utilisez le système de recyclage ES, veillez à vider et à rincer les deux réservoirs après chaque usage.

**POUR VOTRE SECURITE: Avant de quitter ou d'entretenir la machine, arrêtez-la sur une surface horizontale, coupez le contact.**

---

### VIDANGE DU RESERVOIR DE RECUPERATION

**ATTENTION:** Videz le réservoir de récupération quand vous remplissez le réservoir de solution. La mousse ou l'eau risquent de pénétrer dans le filtre d'arrêt à flotteur et d'endommager le moteur de l'extracteur. Les dommages du moteur de l'extracteur occasionnés par de la mousse ou de l'eau ne sont pas couverts par la garantie.

1. Poussez la machine jusqu'au trou de vidange au sol et désactivez tous les boutons. Enlevez le tuyau de vidange de gauche de son support, amenez le tuyau au-dessus du trou de vidange, détortillez le tuyau et enlevez le bouchon de vidange (Figure 31).



FIG. 31

**REMARQUE:** Si vous utilisez un seau pour vider la machine, n'utilisez pas le même seau pour la remplir ou bien veillez à le rincer avant de remplir la machine.

2. Ouvrez le couvercle du réservoir de récupération et rincez le réservoir, le filtre à flotteur et le filtre ES, si la machine est équipée de cette option. Retirez et rincez le filtre d'arrêt à flotteur et le filtre ES s'ils sont très sales. Remettez le filtre à flotteur et le filtre ES en place.
3. Remettez bien le bouchon du tuyau de vidange quand le réservoir est vide.

## VIDANGE DU RESERVOIR DE SOLUTION

Pour vidanger la solution nettoyante non utilisée ou la solution recyclée du réservoir de solution, procédez de la manière suivante:

1. Retirez le tuyau de vidange de son crochet, placez-le au-dessus du siphon (Figure 32).



FIG. 32

2. Rincez le réservoir de solution et le système de distribution de la solution à l'eau claire pour éviter toute obstruction due à la formation de dépôts chimiques.
3. Remplacez le tuyau de vidange sur son crochet quand le tuyau est vide.

## CHARGE DES BATTERIES

**REMARQUE:** Rechargez les batteries seulement après un total de 30 minutes d'utilisation ou de plus. Ceci prolongera la vie de batterie.

**Les instructions suivantes concernant la charge des batteries sont prévues uniquement pour le chargeur 24 V fourni avec la machine. Vous pouvez également utiliser un autre chargeur pour autant qu'il ait les spécifications suivantes afin d'éviter d'endommager les batteries.**

### SPÉCIFICATIONS DU CHARGEUR DE BATTERIS:

- TENSION DE SORTIE - 24 VOLTS
- COURANT DE SORTIE - 15 AMPÈRES
- CIRCUIT DE COUPURE AUTOMATIQUE
- POUR LA MISE EN CHARGE DE BATTERIES A CYCLE INTENSIF

**REMARQUE:** Pour optimiser la durée de vie des batteries, veillez à ce que les batteries soient toujours chargées. Ne laissez jamais les batteries déchargées.

**⚠ MISE EN GARDE:** Evitez toute étincelle et toute flamme nue à proximité des batteries. Laissez ouvert le compartiment des batteries pendant la mise en charge.

**POUR VOTRE SECURITE:** Quand vous entretenez la machine, portez des gants de protection quand vous maniez les batteries ou les câbles de batterie. Evitez tout contact avec l'acide des batteries.

1. Transportez la machine jusqu'à une surface horizontale et sèche dans un lieu bien aéré pour charger les batteries.
2. Désactivez tous les boutons et coupez le contact.

**POUR VOTRE SECURITE:** Avant de quitter ou d'entretenir la machine, arrêtez-la sur une surface horizontale, coupez le contact.

3. Enlevez le couvercle du compartiment à batteries.

# FONCTIONNEMENT

4. Vérifiez le niveau d'électrolyte (A) dans chaque élément de batterie. Ne chargez pas les batteries à moins que l'électrolyte ne recouvre légèrement les plaques des batteries (B). Si nécessaire, ajoutez juste la quantité d'eau distillée nécessaire pour recouvrir légèrement les plaques. Ne remplissez PAS trop. Les batteries risquent de couler pendant la charge car elles se dilatent. Remettez les bouchons des éléments avant de charger. (Figure 33)

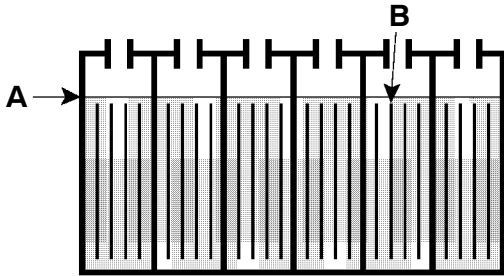


FIG. 33

5. Branchez le connecteur de sortie CC sur le connecteur de la batterie situé à l'arrière de la machine (Figure 34).

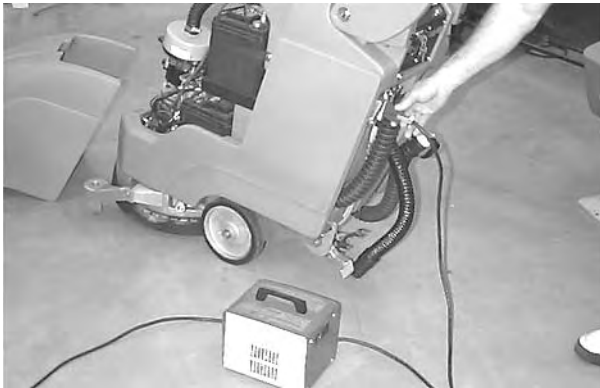


FIG. 34

**REMARQUE:** La machine est hors d'emploi tant que le chargeur est branché à la machine.

6. Branchez le câble d'alimentation du chargeur sur une prise murale (Figure 35).

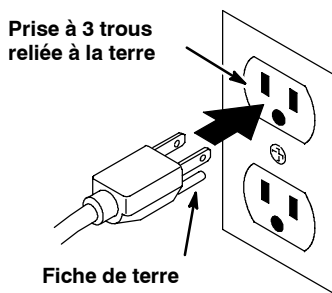


FIG. 35

**POUR VOTRE SECURITE:** N'actionnez pas le chargeur à moins que la corde soit correctement fondue.

**⚠ MISE EN GARDE:** Evitez toute étincelle et toute flamme nue à proximité des batteries. Laissez ouvert le compartiment des batteries pendant la mise en charge.

7. Le chargeur commence automatiquement à charger et se coupe automatiquement quand les batteries sont complètement chargées.
8. Une fois le chargeur coupé, déconnectez le chargeur de la machine; puis, débranchez le chargeur de la prise murale.
9. Batteries plomb-acide : après le chargement, vérifiez le niveau d'électrolyte (A) des batteries. Le niveau doit se trouver environ à .375 in / 1 cm du bord inférieur de l'orifice de remplissage (B) (Figure 36). Ajoutez de l'eau distillée si nécessaire. NE REMPLISSEZ PAS TROP.

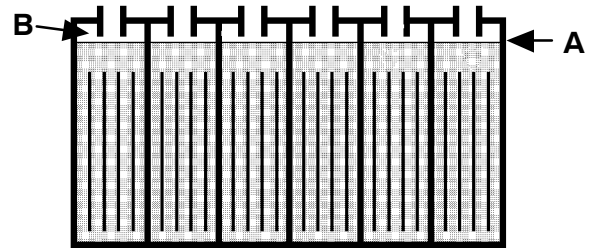


FIG. 36

## ENTRETIEN DE LA MACHINE

Pour garder la machine en bon état de marche, suivez les procédures d'entretien quotidiennes, hebdomadaires et mensuelles.

**POUR VOTRE SECURITE:** Avant de quitter ou d'entretenir la machine, arrêtez-la sur une surface horizontale, coupez le contact.

**⚠ MISE EN GARDE:** Quand vous entretenez la machine, débranchez les connexions de batteries avant de travailler sur la machine.

**ATTENTION:** Contactez un service de réparation agréé pour les réparations de la machine. Les réparations effectuées sur la machine par une personne non autorisée entraînent l'annulation de votre garantie.

**REMARQUE:** Si la machine est équipée d'un compteur horaire, inscrivez le nombre d'heures auquel l'entretien a été effectué.

## ENTRETIEN QUOTIDIEN (après chaque utilisation)

1. Enlevez et nettoyez le patin propre ou la brosse. Ne nettoyez jamais avec des patins sales. Remplacez le patin quand il est usé ou chargé de résidus.
2. Vidangez et rincez les réservoirs soigneusement.
3. Ouvrez le couvercle transparent, enlevez le filtre à flotteur et nettoyez-le. Remettez le filtre bien en place (Figure 37).



FIG. 37

4. Ouvrez le couvercle transparent, enlevez le filtre ES si la machine en est équipée et nettoyez-le. Remettez le filtre bien en place.
5. Relevez le racloir et essuyez-le avec un chiffon sec. Rangez le racloir en position relevée pour éviter de l'endommager.
6. Nettoyez la carrosserie de la machine avec un produit non-abrasif et non-solvant.
7. Rechargez les batteries si nécessaire.

## ENTRETIEN HEBDOMADAIRE (Toutes les 20 heures de service)

1. Rincez les réservoirs et les conduites du système de distribution de la solution. Versez une solution de 750mL (24 oz) de vinaigre et de 11.3L (3 gal) d'eau chaude dans le réservoir de solution. Activez brièvement le système de distribution de la solution au-dessus d'un trou de vidange au sol pour remplir la conduite de solution. Coupez le contact et laissez agir la solution une nuit. Rincez ensuite à l'eau claire.
2. Enlevez le filtre en ligne et rincez-le. Avant de retirer le filtre, assurez-vous que le réservoir de solution est vide. Le filtre se trouve sous la machine à l'arrière (Figure 38).



FIG. 38

3. Contrôlez le niveau d'électrolyte des éléments des batteries. (Voir ENTRETIEN DES BATTERIES)
4. Nettoyez la partie supérieure des batteries pour éviter la corrosion. (Voir ENTRETIEN DES BATTERIES)
5. Vérifiez si les câbles des batteries ne sont pas détachés ou corrodés.

## ENTRETIEN MENSUEL (Toutes les 80 heures de service)

1. Lubrifiez les graisseurs des roulettes avec une graisse imperméable.
2. Lubrifiez toutes les articulations de la tringlerie avec du silicone sous forme de spray; puis, appliquez-y une graisse imperméable pour assurer un fonctionnement régulier.
3. Vérifiez la présence éventuelle de fuites d'eau et le serrage des écrous et des boulons.

## ENTRETIEN TRIMESTRIEL (Toutes les 250 heures de service)

Vérifiez l'usure des balais au carbone des moteurs de l'extracteur et de la brosse et remplacez les balais s'ils mesurent 1 cm (0.38 in) ou moins.

Contactez votre centre d'entretien agréé pour un contrôle des balais de charbon.

**POUR VOTRE SECURITÉ : Lors du dépannage de la machine, toutes les réparations doivent être effectuées uniquement par un technicien qualifié.**

## ENTRETIEN DES BATTERIES

**⚠ MISE EN GARDE: Evitez toute étincelle et toute flamme nue à proximité des batteries. Laissez ouvert le compartiment des batteries pendant la mise en charge.**

**POUR VOTRE SECURITE: Quand vous entretenez la machine, portez des gants de protection quand vous maniez les batteries ou les câbles de batterie. Eloignez-vous de l'acide des batteries.**

## FONCTIONNEMENT

1. Suivez toujours les instructions adéquates pour charger les batteries.  
(Voir CHARGE DES BATTERIES)
2. Vérifiez le niveau d'électrolyte (A) dans chaque élément de batterie. Le niveau doit se situer à 1 cm de la base des tubes de regard après la mise en charge. Ajoutez de l'eau distillée si nécessaire. **NE REMPLISSEZ PAS TROP.** Les batteries trop remplies risquent de couler pendant la charge, du fait de l'expansion du liquide (Figure 39).

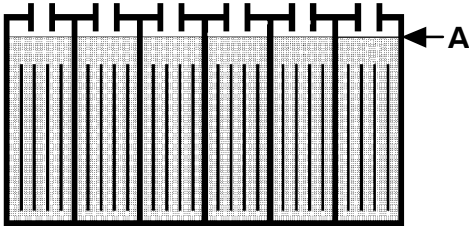


FIG. 39

3. Vérifiez la densité spécifique à l'aide d'un hydromètre, pour déterminer le niveau de charge et l'état des batteries (Figure 40). Si un ou plusieurs des éléments des batteries est (sont) plus faible(s) que les autres éléments des batteries (de 0,050 ou plus), cela signifie que l'élément (les éléments) est (sont) endommagé(s), que sa (leur) capacité est réduite ou qu'il(s) va (vont) bientôt tomber en panne. Comparez les mesures hydrométriques avec le tableau suivant pour déterminer le niveau de charge.

**REMARQUE:** n'effectuez pas de mesures juste après avoir ajouté de l'eau distillée. Si l'eau et l'acide ne sont pas bien mélangés, il se peut que les mesures ne soient pas exactes.



FIG. 40

DENSITÉ SPÉCIFIQUE à at 27°C (80°F)	CHARGE DE BATTERIE
1.265	Chargée à 100%
1.223	Chargée à 75%
1.185	Chargée à 50%
1.148	Chargée à 25%
1.110	Déchargée

**REMARQUE:** Ajoutez ou soustrayez 0,004 (4 points) à la lecture de densité spécifique, pour chaque 43°F / 6 °C au-dessus ou au-dessous de 80°F / 27°C.

4. Nettoyez la partie supérieure des batteries pour prévenir la corrosion des batteries.
  - a. Préparez une solution concentrée de bicarbonate de soude (Figure 41).



FIG. 41

- b. Brossez les surfaces supérieures et les cosses de câbles des batteries en utilisant la solution avec modération.

**REMARQUE:** veillez à ce que la solution de bicarbonate de soude ne pénètre pas dans les éléments des batteries.

- c. Utilisez une brosse métallique pour nettoyer les bornes et les cosses de câbles.
  - d. Une fois le nettoyage terminé, appliquez une couche de produit de protection pour batteries sur les bornes et les cosses de câbles.
5. Vérifiez si les câbles ne sont pas débranchés ou usés. Remplacez-les s'ils sont usés.

## TRANSPORT DE LA MACHINE

Lorsque vous transportez la machine à l'aide d'une remorque ou d'un camion, veuillez suivre les instructions suivantes pour attacher la machine.

**POUR VOTRE SECURITÉ:** lors de l'utilisation de la machine, roulez lentement sur les pentes et sur les surfaces glissantes.

1. Enlevez le racloir de la machine et relevez la tête de nettoyage. Laissez le patin ou la brosse monté(e).
2. Chargez la machine à l'aide d'une rampe de chargement recommandée.
3. Mettez l'avant de la machine contre l'avant de la remorque ou du camion. Une fois la machine à sa place, abaissez la tête de nettoyage.
4. Mettez un bloc derrière les roues.

- Mettez des sangles par-dessus la machine et fixez-les au plancher. Il se peut qu'il soit nécessaire d'installer des brides d'attache au plancher de votre remorque ou camion.

**POUR VOTRE SECURITÉ:** lors du transport de la machine, utilisez une rampe recommandée lorsque vous chargez la machine sur le camion ou la remorque ou lorsque vous la déchargez, utilisez des sangles pour fixer la machine sur le camion ou la remorque.

## ENTREPOSAGE DE LA MACHINE

- Avant d'entreposer la machine, veillez à rincer les réservoirs et à vider toute l'eau de la machine.
- Entreposez la machine à l'abri de l'humidité en veillant à enlever le racloir et à relever la tête de nettoyage.
- Enlevez le couvercle du réservoir de récupération pour favoriser la circulation d'air.

**ATTENTION:** Si vous entreposez la machine à des températures inférieures à 0°C, assurez-vous que toute l'eau de la machine est vidangée. Les dommages occasionnés par le gel ne sont pas couverts par la garantie.

**⚠ WARNING:** N'entreposez pas la machine à l'extérieur et évitez qu'elle soit mouillée.

## PIECES DE STOCK RECOMMANDEES

Reportez-vous à la section Liste des pièces pour les pièces de stock recommandées. Les pièces de stock sont identifiées clairement à l'aide d'un point précédant la description des pièces. Voir exemple ci-dessous:

Ref.	Part No.	Description	Qty.
1	201103	ASM., STAND PIPE	1
2	160612	● FLOAT, SHUTOFF	1
3	230187	NIPPLE	1
4	101714	● GASKET	1
5	210240	NUT, FLANGED	1

# FONCTIONNEMENT

## DEPISTAGE DES PANNES

PROBLEME	CAUSE	REMEDE
Pas de tension, rien ne fonctionne.	Contact défectueux.	Contactez le service de dépannage.
	Batteries doivent être chargées.	Voyez CHARGE DES BATTERIES.
	Batterie(s) défectueuse(s).	Remplacez batterie(s).
	Câble de batterie détaché.	Rebranchez câble.
	Coupe-circuit principal s'est déclenché.	Déterminez la cause et réenclenchez le bouton du coupe-circuit.
Le moteur de la brosse ne fonctionne pas.	Contact de la gâchette de la brosse défectueux.	Contactez le service de dépannage.
	Gâchettes de la brosse pas actionnées.	Actionnez les gâchettes de la brosse.
	Coupe-circuit de la brosse déclenché.	Nettoyez ou remplacez le patin et réenclenchez le bouton du coupe-circuit de la brosse.
	Moteur ou câble de la brosse défectueux.	Contactez le service de dépannage.
	Balais au carbone usés.	Contactez le service de dépannage.
	Solénoïde de la brosse défectueux.	Contactez le service de dépannage.
Le moteur de l'extracteur ne fonctionne pas.	Bouton de l'extracteur défectueux.	Contactez le service de dépannage.
	Coupe-circuit principal s'est déclenché.	Enlevez les débris responsables de l'obstruction et réenclenchez le bouton du coupe-circuit.
	Moteur ou câble de l'extracteur défectueux.	Contactez le service de dépannage.
	Balais au carbone usés.	Contactez le service de dépannage.
Débit de solution faible ou nul.	Bouton du système de distribution de la solution n'est pas activé.	Activez le bouton du système de distribution de la solution.
	Conduite du système de distribution de la solution ou filtre du réservoir de solution est obstrué.	Enlevez le tuyau et soufflez-y de l'air comprimé. Rincez le réservoir de solution après chaque emploi.
	Soupape de distribution de la solution ou solénoïde est obstrué.	Enlevez la soupape ou le solénoïde et nettoyez-la/le. Veillez à ne pas érafler l'intérieur de la soupape.
	Bouton de distribution de la solution ou solénoïde défectueux.	Contactez le service de dépannage.
	Bouton de réglage du débit de solution doit être réglé.	Tournez le bouton de réglage du débit de solution pour le mettre dans la position souhaitée.
	Modèle ES: Filtre ES est obstrué.	Enlevez le filtre ES et nettoyez-le.
	Modèle ES: Pompe ES défectueuse.	Contactez le service de dépannage.



## DEPISTAGE DES PANNES - Suite

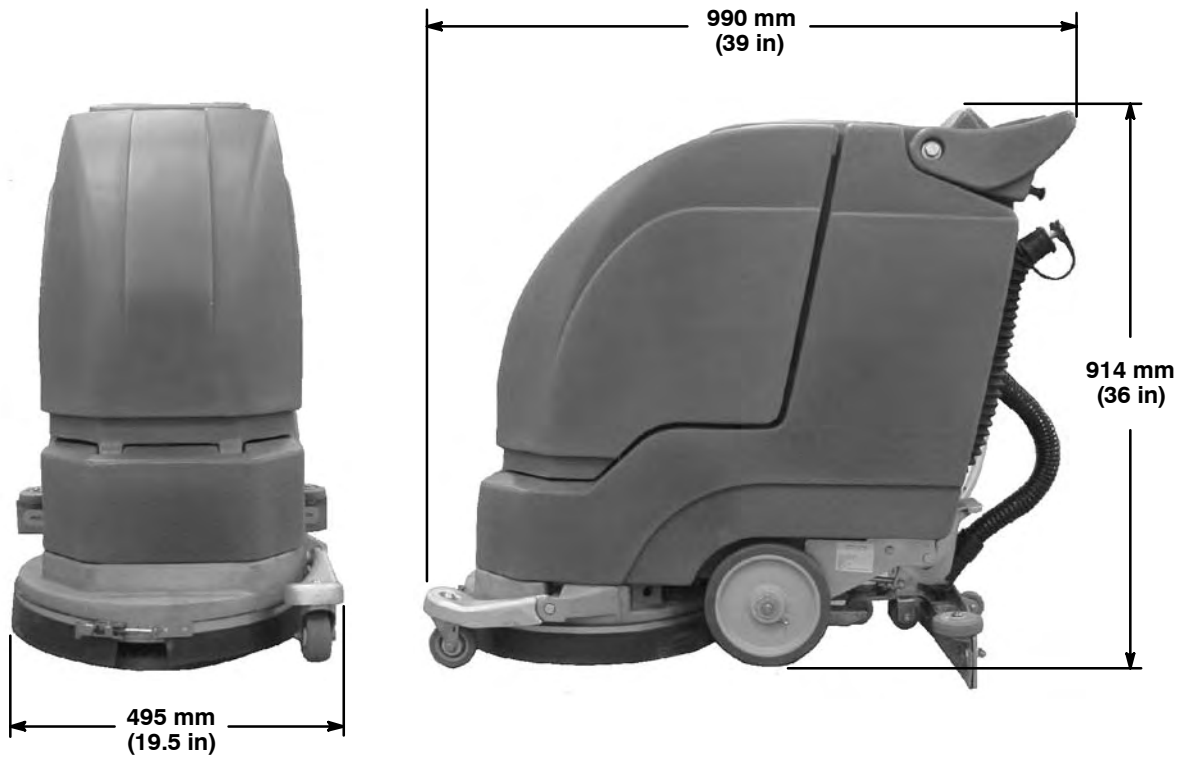
PROBLEME	CAUSE	REMEDE
Brève durée de fonctionnement.	Batteries ne sont pas complètement chargées.	Rechargez les batteries.
	Elément défectueux dans une ou plusieurs batteries.	Remplacez batterie(s).
	Batteries doivent être entretenues.	Voir ENTRETIEN DES BATTERIES.
	Chargeur défectueux.	Réparez ou remplacez le chargeur de batterie.
Ramassage de l'eau non satisfaisant.	Réservoir de récupération est plein et flotteur a été activé.	Videz le réservoir de récupération.
	Filtre à flotteur à l'intérieur du réservoir de récupération est obstrué.	Enlevez le filtre et nettoyez-le.
	Racloir obstrué.	Nettoyez le racloir.
	Lames de racloir usées.	Remplacez les lames de racloir.
	Vis papillons du racloir sont desserrées.	Resserrez les vis papillons.
	Raccords du tuyau d'aspiration sont détachés ou tuyau est percé.	Enfoncez bien les extrémités du tuyau dans les raccords. Remplacez le tuyau s'il est endommagé.
	Tuyau d'aspiration obstrué.	Enlevez les débris responsables de l'obstruction.
	Trou d'alimentation du réservoir de récupération est obstrué.	Videz le réservoir de récupération et soulevez-le par le côté pour accéder au trou d'alimentation et enlevez les débris responsables de l'obstruction.
	Joint d'étanchéité du réservoir défectueux.	Remplacez le joint.
	Bouchon du tuyau de vidange desserré.	Resserrez le bouchon du tuyau de vidange.
	Couvercle du réservoir de récupération mal placé.	Placez correctement couvercle.
	Moteur de l'extracteur desserré.	Contactez le service de dépannage.
	Niveau de charge des batteries est bas.	Rechargez les batteries. N'utilisez pas la machine quand l'aiguille de l'appareil de mesure de la charge des batteries se trouve dans la zone rouge.

# FONCTIONNEMENT

## SPECIFICATIONS

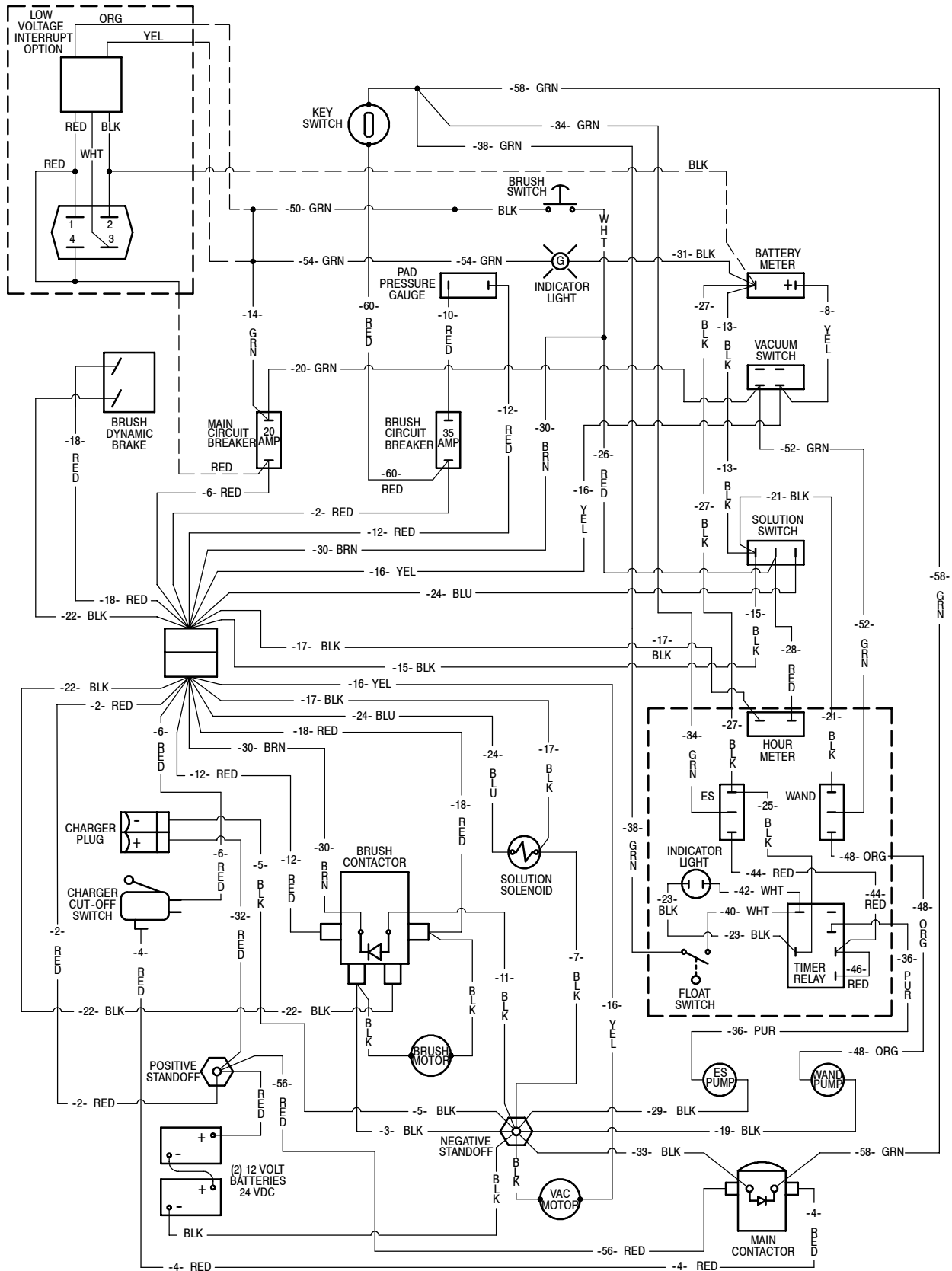
MODELE	Speed Scrub 1701 Plus
LONGUEUR	990 mm (39 in)
LARGEUR	495 mm (19.5 in)
HAUTEUR	914 mm (36 in)
POIDS	71Kg (158 lbs), 131Kg (290 lbs) avec batteries
CAPACITE RESERVOIR RECUPERATION	28.5L (7.5 gal)
CAPACITE RESERVOIR SOLUTION	28.5L (7.5 gal)
CAPACITE DE REMPLISSAGE SOLUTION EN MODE-ES	42.5L (11.25 gal)
CAPACITE RESERVOIR SOLUTION	Commande par la brosse
CAPACITE DE NETTOYAGE	1375m <sup>2</sup> par heure (14,800 sq. ft.)
LARGEUR DE LA TRACE DE NETTOYAGE	430 mm (17 in)
DIAMETRE DU PATIN	430 mm (17 in)
PRESSION DU PATIN	Variable 30-44Kg/65-95lbs
LARGEUR DU RACLOIR	670 mm (26.5 in)
CONSOMMATION ELECTRIQUE TOTALE	35A nominal
MOTEUR DE BROSSE	.75 h.p., 165 rpm, 24V, 33A
MOTEUR DE L'EXTRACTEUR	.75 h.p., 2-stage 5.7", 24V, 15A, 560W
HAUTEUR D'ASPIRATION	1140 mm (45 in)
BATTERIES	2-12V, 130AH
DUREE DE FONCTIONNEMENT PAR CHARGE	Jusqu'à 3 heures
NIVEAU SONORE AU NIVEAU DE L'OREILLE DE L'OPERATEUR, A L'INTERIEUR SUR DU CARRELAGE	69.5dB(A)

DIMENSIONS DE LA MACHINE



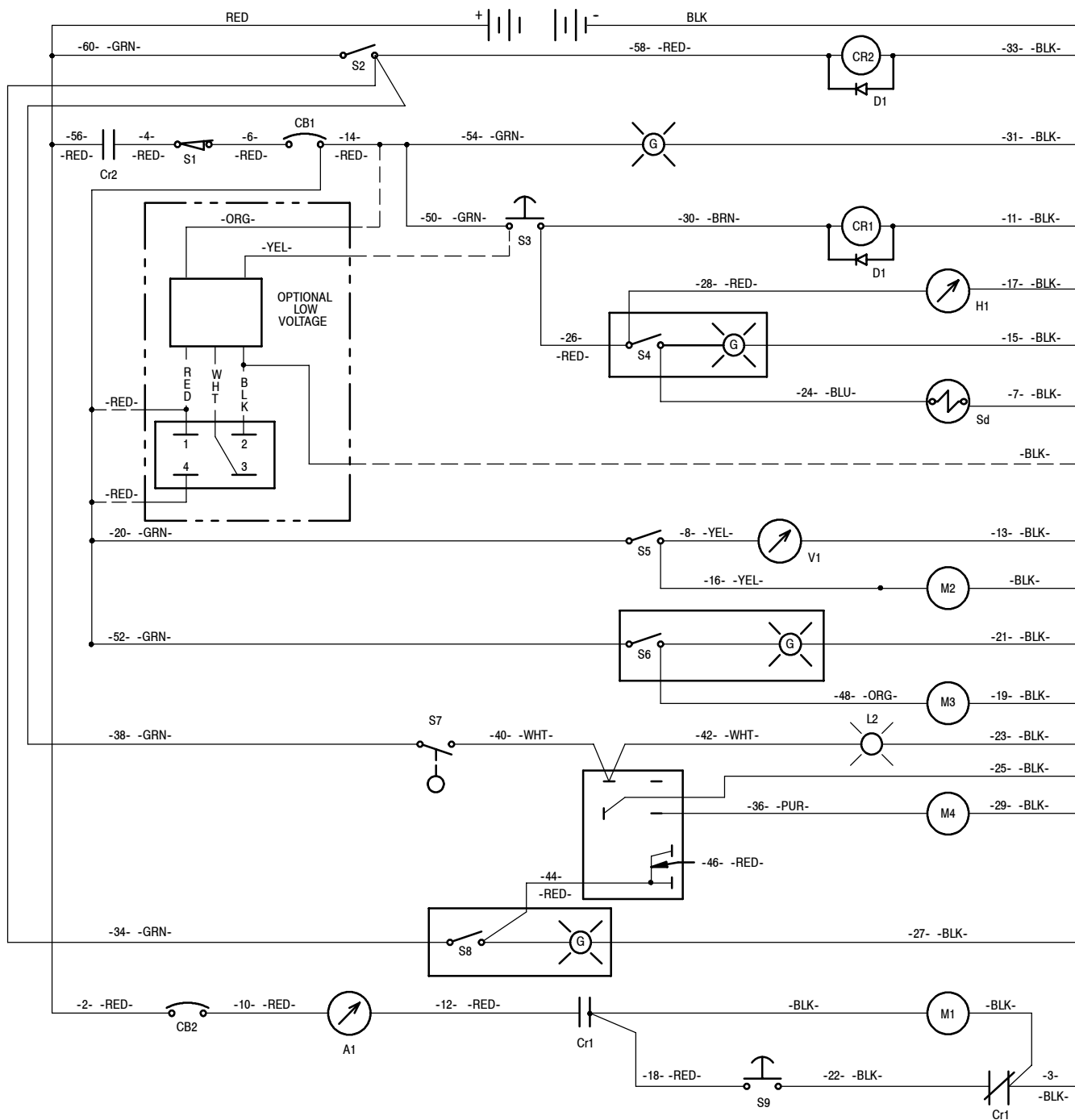
# ELECTRICAL DIAGRAMS - DIAGRAMAS ELECTRICAS - SYSTEME ELECTRIQUE

## WIRING DIAGRAM DIAGRAMA DE CABLEADO DIAGRAMME DE CÂBLAGE



# ELECTRICAL DIAGRAMS - DIAGRAMAS ELECTRICAS - SYSTEM ÉLECTRIQUE

## LADDER DIAGRAM DIAGRAMA ESCALONADO DIAGRAMME D'ÉCHELLE



### REF LEGEND

RED= Red  
BLK= Black  
GRN= Green  
WHT= White  
ORG= Orange  
BLU= Blue  
BRN= Brown  
PUR= Purple  
YEL= Yellow  
A1= Ammeter  
CR1 = Contactor Coil  
CR2 = Contactor Coil

### REF LEGEND

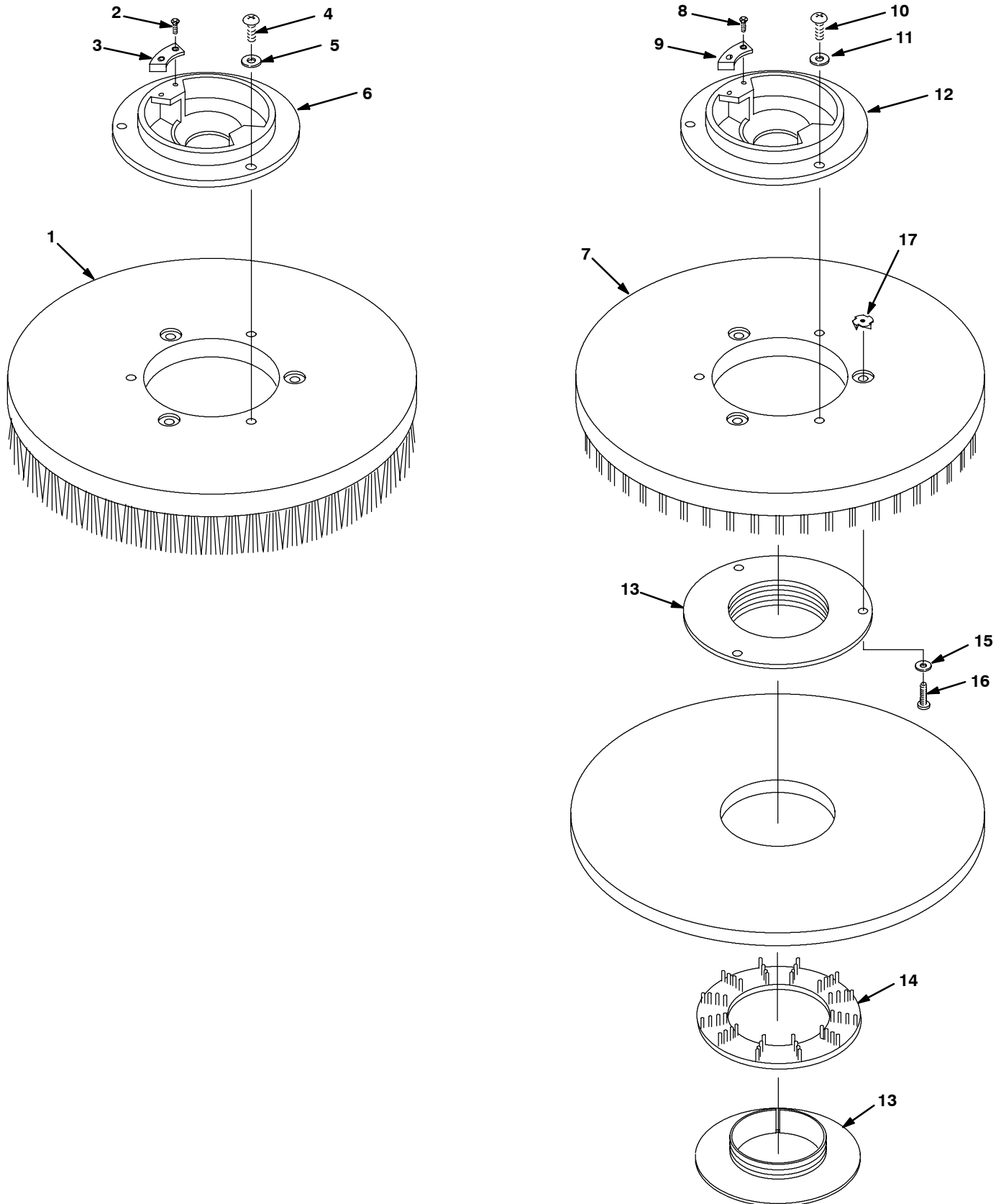
cr1= Contactor Relay  
CB1 = Circuit Bkr. Main 20A  
CB2 = Breaker, Circuit 35A  
D1= Diode  
H1= Hourmeter  
L1= Light, Indicator  
L2= Light, Full Tank  
M1= Motor, Brush  
M2= Motor, Vacuum  
M3= Motor, Wand  
M4= Motor, Recycle  
S1= Switch, Chg Cut-off

### REF LEGEND

S2= Switch, Key  
S3= Switch, Brush  
S4= Switch, Solution  
S5= Switch, Vacuum  
S6= Switch, Wand  
S7= Switch, Float  
S8= Switch, Recycle  
S9= Switch, Brush Off  
Sd= Valve, Solenoid  
T1= Relay, Timer  
V1= Voltmeter

# PARTS LIST - LISTA DE PIEZAS - LISTE DES PIÈCES

## REPLACEMENT BRUSHES AND PAD DRIVER GROUP / SUSTITUCIÓN DEL CONJUNTO DEL IMPULSOR DE LA ALMOHADILLA Y CEPILLOS / GROUPE REMPLACEMENT DES BROSSES ET DU PIGNON MENANT DE PATIN



# PARTS LIST - LISTA DE PIEZAS - LISTE DES PIÈCES

## REPLACEMENT BRUSHES AND PAD DRIVER GROUP / SUSTITUCIÓN DEL CONJUNTO DEL IMPULSOR DE LA ALMOHADILLA Y CEPILLOS / GROUPE REMPLACEMENT DES BROSSES ET DU PIGNON MENANT DE PATIN

REF	PART #	DESCRIPTION	QTY.
▽ 1	370000	●ASM., BRUSH 17" NYLON SCRUB	1
	370002	●ASM., BRUSH 17" GRIT STRIP	1
	370007	●ASM., BRUSH 17" POLY SCRUB	1
▲ 2	370052	SCREW, FLT #06 X 0.31	4
▲ 3	603438	PLATE, WEAR	2
▲ 4	32746	SCREW, PAN M6 X 1.0 X 35	3
▲ 5	01684	WASHER, FLAT 0.25	3
▲ 6	601453	●PLATE, CLUTCH	1

▽ ASSEMBLY / CONJUNTO / ENSEMBLE

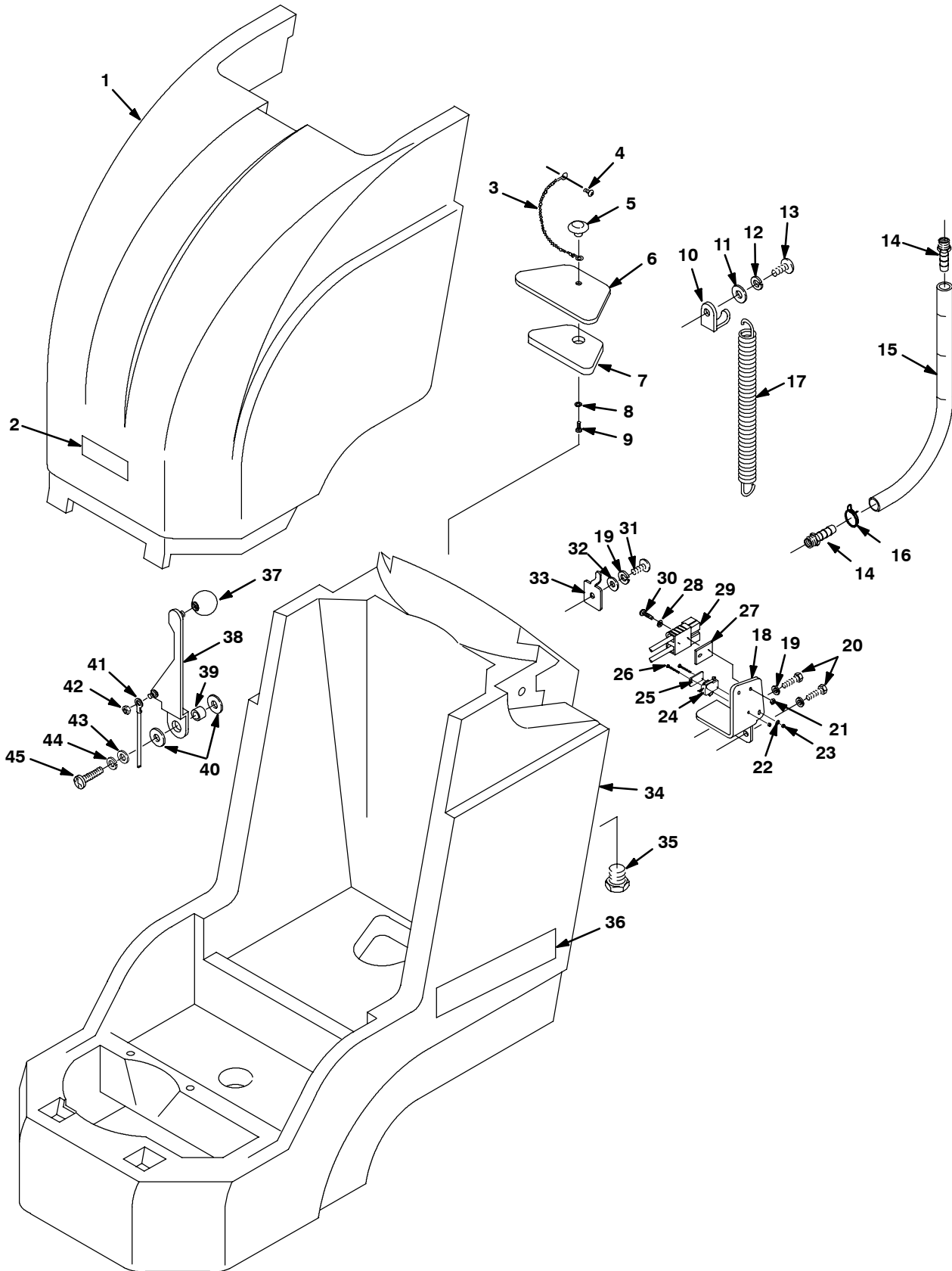
▲ INCLUDED IN ASSEMBLY / INCLUIDO EN EL CONJUNTO / Y COMPRIS EN ENSEMBLE

● RECOMMENDED STOCK ITEMS / ARTICULOS RECOMENDADOS PARA MANTENER EN EXISTENCIA / ÉLÉMENTS DE STOCK RECOMMANDÉS

REF	PART #	DESCRIPTION	QTY.
▽ 7	606227	●ASM., PAD DRIVER 17"	1
▲ 8	370052	SCREW, FLT #06 X 0.31	4
▲ 9	603438	PLATE, WEAR	2
▲ 10	32746	SCREW, PAN M6 X 1.0 X 35	3
▲ 11	01684	WASHER, FLAT 0.25	3
▲ 12	601453	●PLATE, CLUTCH	1
▲ 13	603991	●PAD HOLDER	1
▲ 14	32505	WASHER, BRUSH PAD 5.65D	1
▲ 15	41579	WASHER, FLAT #08	3
▲ 16	04403	SCREW, PAN M4X0.7X25 NY	3
▲ 17	10908	NUT, T M4 X 0.7	3

# PARTS LIST - LISTA DE PIEZAS - LISTE DES PIÈCES

## SOLUTION TANK GROUP / GRUPE DEL DEPÓSITO DE DISOLUCIÓN / ENSEMBLE DU RÉSERVOIR DE SOLUTION





# PARTS LIST - LISTA DE PIEZAS - LISTE DES PIÈCES

## SOLUTION TANK GROUP / GRUPE DEL DEPÓSITO DE DISOLUCIÓN / ENSEMBLE DU RÉSERVOIR DE SOLUTION

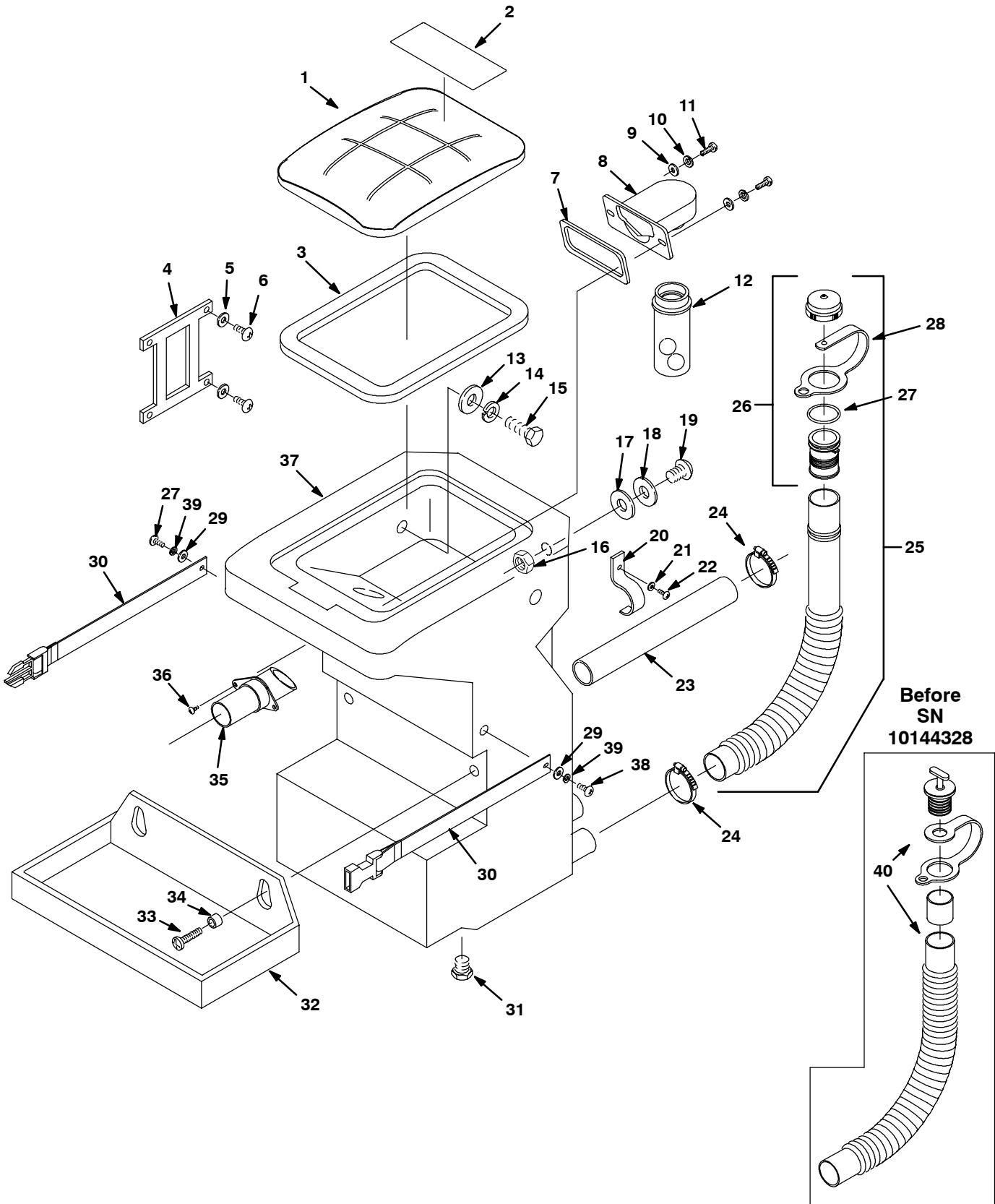
REF	PART #	DESCRIPTION	QTY.
1	608358	COVER, BATTERY, GREEN	1
2	608188	DECAL, NOBLES 7.06" OVAL	1
3	230513	CHAIN ASSEMBLY	1
4	140825	SCREW, #6X1/2 PANPHL SHTMTL	1
5	578301	KNOB, FILL COVER	1
6	610108	COVER, REAR FILL BLACK	1
7	610109	GASKET, REAR FILL COVER	1
8	07514	WASHER, LOCK INT #10, SS	1
9	578201000	SCREW 10-32X.5 PAN PHL	1
10	610204	BRACKET, SPRING	1
11	140027	WASHER, FLAT 0.31	1
12	140015	WASHER, LOCK SPLIT 0.31	1
13	15675	SCREW, HEX M8X1.25X16	1
14	14884	FITTING, BRS STR BM08/PM06	2
15	610256	HOSE, DRAIN W/LEVEL INDICATOR	1
16	607776	CLAMP, HOSE .73-.77 WIRE BLK	1
17	140423	SPRING, BRUSH PRESSURE	1
18	601466	BRACKET, CHARGE PLUG	1
19	140016	WASHER, LOCK 0.25	3
20	608322	SCREW, TRS M6X1.0X16 PHL	2
21	140539	NUT, 6-32 KEP	2
22	200301012	WASHER, M3 FLAT	1
23	579211	NUT, HEX M3 HEXLCK	2
24	600437	●SWITCH, SNAP ACTN 250VAC 16A	1

REF	PART #	DESCRIPTION	QTY.
25	601359	PLATE, SWITCH BACKING	1
26	578403000	SCREW, M3X.5X20 PAN PHL	2
27	603331	SPACER, CHARGER PLUG	1
28	140019	WASHER, LOCK EXT #6	2
29	605387	●CONNECTOR, RED 50A W/O CONTACTS	1
30	140829	SCREW, 6-32X1 PAN PHL	2
31	363503	SCREW, PAN M6X1.0X12	1
32	140000	WASHER, FLAT 1/4	1
33	601460	CLIP, DRAIN HOSE	1
34	613355	TANK, SOLUTION, GREEN	1
	610093	KIT, TANK, SOLUTION, GREEN (BEFORE SN 10072679)	1
35	630146	PLUG, 3/8" NPT NYLON	1
36	608361	DECAL, SPEED SCRUB 1701 PLUS	2
37	601425	KNOB, BALL	1
38	601426	LEVER, SQUEEGEE	1
39	601427	SLEEVE, 0.625D 0.320B 0.33L STL	1
40	601437	WASHER, .621 X 1.25 X .06 NY	2
41	601428	CABLE, SQUEEGEE	1
42	601476	NUT, 1/4-20 LOCK TWO WAY	1
43	140055	WASHER, .343 X 1.25 X 0.31	1
44	140015	WASHER, LOCK SPLIT 0.31	1
45	630425	SCREW, PAN M8X20MM PHL	1

● RECOMMENDED STOCK ITEMS / ARTICULOS RECOMENDADOS PARA MANTENER EN EXISTENCIA / ÉLÉMENTS DE STOCK RECOMMANDÉS

# PARTS LIST - LISTA DE PIEZAS - LISTE DES PIÈCES

## RECOVERY TANK GROUP / CONJUNTO DESPOSITO RECUPERAR / GROUPE RESERVOIR DE RECUPERATION



# PARTS LIST - LISTA DE PIEZAS - LISTE DES PIÈCES

## RECOVERY TANK GROUP / CONJUNTO DESPOSITO RECUPERAR / GROUPE RESERVOIR DE RECUPERATION

REF	PART #	DESCRIPTION	QTY.
▽ 1	613716	●ASM., LID & LABEL	1
▲ 2	1026386	LABEL, WARNING [EXPL.,FIRE,SHK EN/FR/ES]	1
▲ 3	630367	●GASKET, REC. TANK	1
4	630056	STRAP, TANK COVER	1
5	1009168	WASHER, FLAT 0.174X0.75X0.04	4
6	3701.6	SCREW, PAN #6X3/8 PHL SHTMTL	4
7	630255	GASKET, FLOAT MOUNT	1
8	630053	MOUNT, FLOAT CAGE	1
9	140000	WASHER, FLAT 1/4	2
10	140016	WASHER, LOCK 0.25	2
11	600385	SCREW, PAN M06X1.0X20 PHL	2
12	630052	●FLOAT, SHUT-OFF (2) BALL	1
13	140027	WASHER, FLAT 0.31	2
14	140015	WASHER, LOCK SPLIT 0.31	2
15	09010	SCREW, M08X1.25X25MM	2
16	603418	NUT, 5/8-11 HEX NYLON	1
17	605147	WASHER, RUBBER 1.50D	1
18	601437	WASHER, NYLON	1
19	609709	SCREW, 5/8-11X1" BTTSOCHD	1

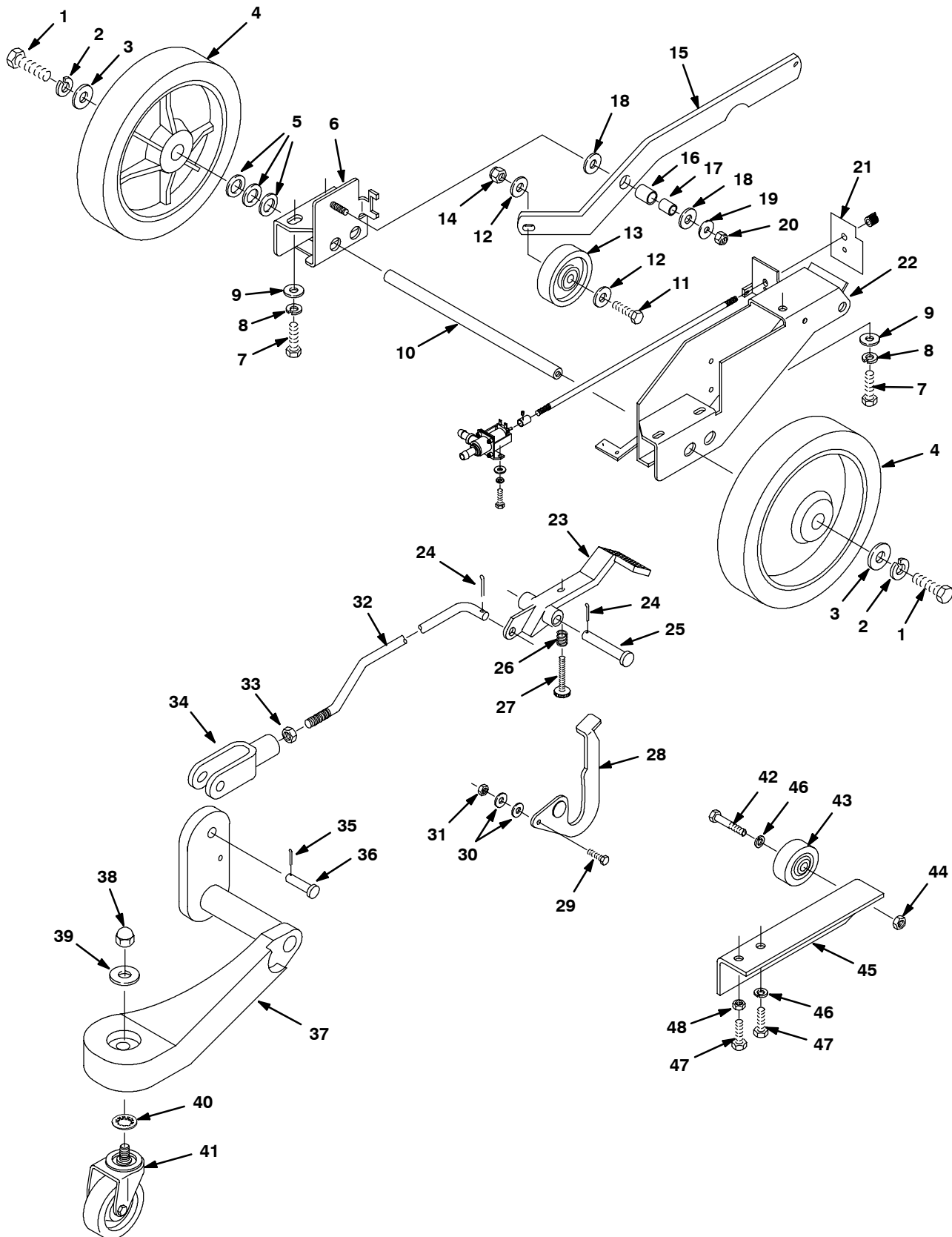
▽ ASSEMBLY / CONJUNTO / ENSEMBLE

▲ INCLUDED IN ASSEMBLY / INCLUIDO EN EL CONJUNTO / Y COMPRIS EN ENSEMBLE

● RECOMMENDED STOCK ITEMS / ARTICULOS RECOMENDADOS PARA MANTENER EN EXISTENCIA / ÉLÉMENTS DE STOCK RECOMMANDÉS

REF	PART #	DESCRIPTION	QTY.
20	601462	CLAMP, 1-1/4 CONDUIT	1
21	140016	WASHER, LOCK 0.25	1
22	363503	SCREW, PAN M6X1.0X12	1
23	240177	TUBE, BASE INLET	1
24	11531	CLAMP, HOSE 1.06-2.00D, .56W	3
▽ 25	1010481	●ASM., DRAIN HOSE	1
▲▽ 26	1008639	●ASM., CAP, DRAIN HOSE	1
▲ 27	1008637	●O-RING, 1.48"ID, 1.76"OD	1
▲ 28	1019563	●STRAP, DRAIN CAP	1
29	140027	WASHER, FLAT 0.31	2
30	601431	STRAP, BATTERY	1
31	630147	FITTING, PLSTC PM12 HEX	1
32	601430	TRAY, BATTERY	1
33	601438	SCREW, TRS .38-16X0.62 PHL	2
34	601439	SPACER, .39X.56X.16	2
35	160485	●ADAPTER, HOSE	1
36	200070382	SCREW, FIL M05X0.8X10 PHL	2
37	608356	TANK, RECOVERY, GREEN	1
38	15675	SCREW, HEX M08X1.25X16	2
39	140015	WASHER, LOCK SPLIT 0.31	2
40	N/A	HOSE/CAP ASSEMBLY, DRAIN - REPLACED BY ASSEM. ITEM #25	1

WHEEL GROUP / CONJUNTO DE LA RUEDA / GROUPE ROUE



# PARTS LIST - LISTA DE PIEZAS - LISTE DES PIÈCES

## WHEEL GROUP / CONJUNTO DE LA RUEDA / GROUPE ROUE

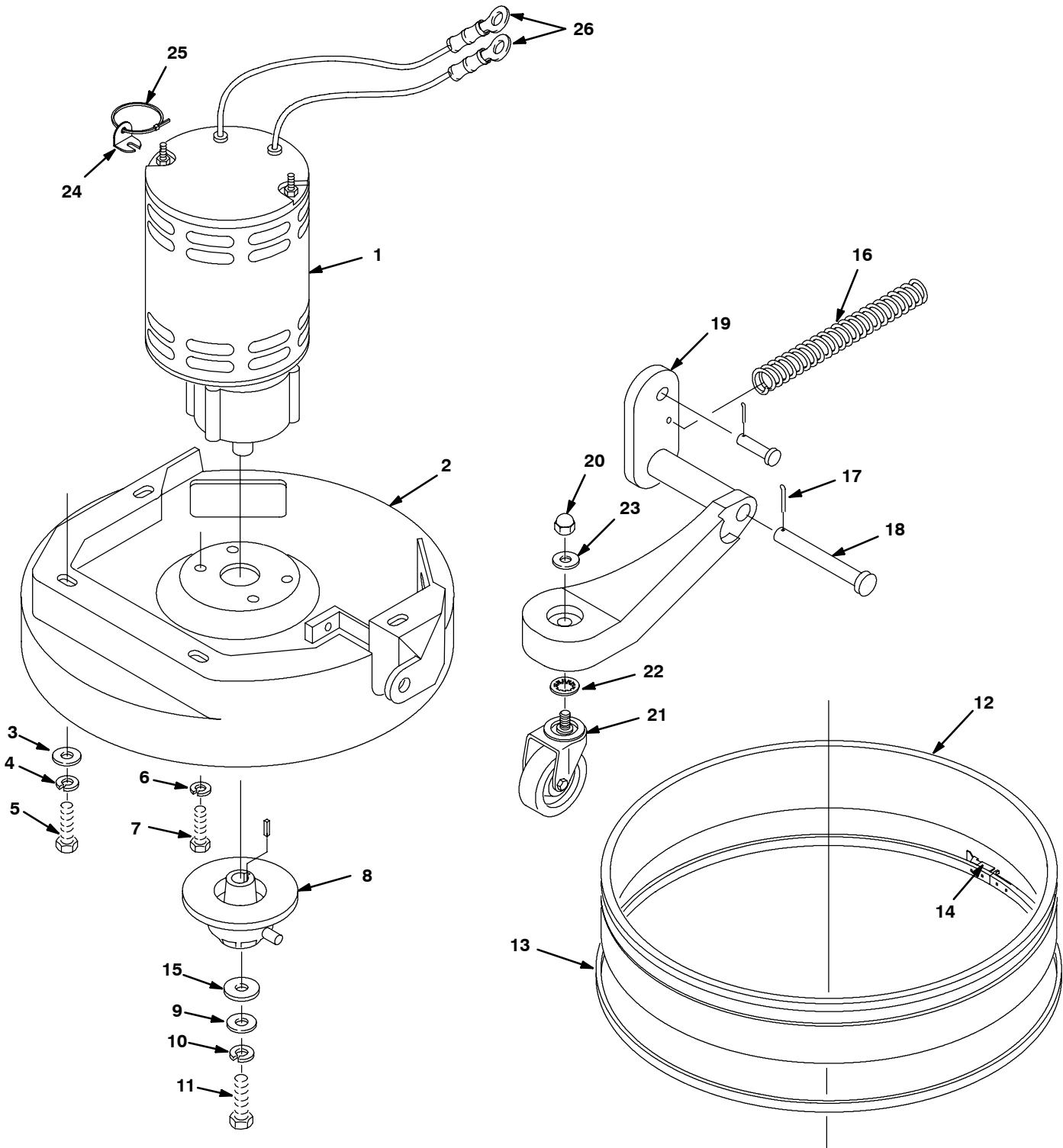
REF	PART #	DESCRIPTION	QTY.
1	02994	SCREW, HEX .38-16X0.75	2
2	140017	WASHER, LOCK SPLIT 0.38	2
3	140028	WASHER, FLAT 0.42B 1.00D .05	2
4	1012021	●WHEEL, 8.0D 1.50W POLY	2
5	140047	WASHER, 1.246X.754X.062	3
6	1011518	MOUNT, WELDMENT AXLE	1
7	12333	SCREW, HEX, M8X1.25X25, SS, NL	5
8	140015	WASHER, LOCK SPLIT 0.31	5
9	140028	WASHER, FLAT 0.42B 1.00D .05	5
10	601448	AXLE, .75D X 15.20	1
11	140256	SCREW, .38-16X2.50	1
12	140028	WASHER, FLAT 0.42B 1.00D .05	2
13	613974	●KIT, 4" WHEEL AND BUSHING	1
14	59156	NUT, HEX LOCK .38-16 NL	1
15	601458	MOUNT, WHEEL BRUSH	1
16	630188	BEARING, .50"IDX.25LG JOURNAL	1
17	630189	SLEEVE, 0.496D 0.318B 0.21L STL	1
18	20536-2	WASHER, FLAT, 0.47B 1.19D .03 NL	2
19	140055	WASHER, FLAT	1
20	200160017	NUT, HEX LOCK M8 X 1.25 NL	1
21	601491	DECAL, SOLUTION CONTROL	1
22	1011934	MOUNT, AXLE PEDAL	1
23	601444	PEDAL, HEAD LIFT	1
24	140630	PIN, COTTER .094 X 0.75	2

REF	PART #	DESCRIPTION	QTY.
25	601471	PIN, CLEVIS 0.50D X 2.50L	1
26	578140000	SPRING, COMPR 16.8D 1.2W 25.4L	1
27	603145	KNOB, 5/16-18F 1"DIA	1
28	601445	PEDAL, LATCH RELEASE	1
29	16931	SCREW, M8X1.25X20MM	1
30	32491	WASHER, FLAT 0.31	2
31	08709	NUT, HEX LOCK M8 X 1.25NL	1
32	601442	ROD, CASTER MOUNT	1
33	20171	NUT, HEX JAM .38-24	1
34	578085000	YOKE, ADJUSTMENT	1
35	612254000	PIN, HAIRPIN .38" DIA SHAFT	1
36	140608	PIN, CLEVIS 3/8 DIA X 1-1/4	1
37	606537	MOUNT, CASTER	1
38	614313	NUT, 1/2-13 CPACRN BRS	1
39	3148.816	WASHER, 0.52B 0.88D .06 STL	1
40	140029	WASHER, 9/16 INT. TOOTH	1
41	601443	●CASTER, SWIVEL	1
42	630478	SCREW, SHLD .38D X 1.00 .31-18	2
43	630477	●WHEEL, 2.0D 0.38W POLY GRAY	2
44	601108000	NUT, 5/16-18 HXLCK THIN NY	2
45	604323	BRACKET, STOP	2
46	140015	WASHER, LOCK SPLIT 0.31	4
47	09010	SCREW, HEX, M8X1.25X25	4
48	200101017	NUT, HEX M8X1.25 HXJM	2

● RECOMMENDED STOCK ITEMS / ARTICULOS RECOMENDADOS PARA  
MANTENER EN EXISTENCIA / ÉLÉMENTS DE STOCK RECOMMANDÉS

# PARTS LIST - LISTA DE PIEZAS - LISTE DES PIÈCES

## SCRUB HEAD GROUP / GRUPO DEL CABEZAL DE FREGADO DE DISCO / GROUPE TETE DE BROSSAGE A DISQUE



# PARTS LIST - LISTA DE PIEZAS - LISTE DES PIÈCES

## SCRUB HEAD GROUP / GRUPO DEL CABEZAL DE FREGADO DE DISCO / GROUPE TETE DE BROSSAGE A DISQUE

REF	PART #	DESCRIPTION	QTY.
▽ 1	601499	●MOTOR, ELE .75HP 165RPM 24V	1
▲	603638	●BRUSH, CARBON 1PC	4
▲	630609	GEARBOX ASSY	1
▲	140632	KEY, .25 X .25 X 1.00L	1
2	601440	HEAD CASTING	1
3	140028	WASHER, FLAT 0.42B 1.00D .05	4
4	140015	WASHER, LOCK SPLIT 0.31	4
5	12333	SCREW, HEX, M8X1.25X25, SS, NL	4
6	140017	WASHER, LOCK SPLIT 0.38	4
7	69225	SCREW, HEX .38-16 X 1.00, SS	4
8	611846	HUB, BRUSH DRIVE	1
9	069764631	WASHER, FLAT M8.4 X 25.4 X 4.8	1
10	140015	WASHER, LOCK SPLIT 0.31	1
11	140219	SCREW, HEX .31-18 X 1.00	1
12	601493	●SKIRT, SPLASH GUARD	1

REF	PART #	DESCRIPTION	QTY.
▽ 13	614113	KIT, REPLACEMENT BAND 56"	1
▲ 14	602044000AM	FASTENER, ADJUSTING, SKIRT	1
15	140047	WASHER, 1.246 X .754 X .062	1
16	603148	SPRING, EXT .75 X 4.00 X .085WD	1
17	612254000	PIN, HAIRPIN .38" DIA SHAFT	1
18	069764083	PIN, CLEVIS 1/2 DIA X 5-1/4	1
19	606537	MOUNT, CASTER	1
20	614313	NUT, 1/2-13 CPACRN BRS	1
21	601443	CASTER, SWIVEL	1
22	140029	WASHER, 9/16 INT	1
23	3148.816	WASHER, FLAT 0.52B 0.88D .06	1
24	608943	BRACKET, WIRE TIE	1
25	130041	WIRE TIE	1
26	130111	TERMINAL, RING 5/16 12-10 VI YL	2

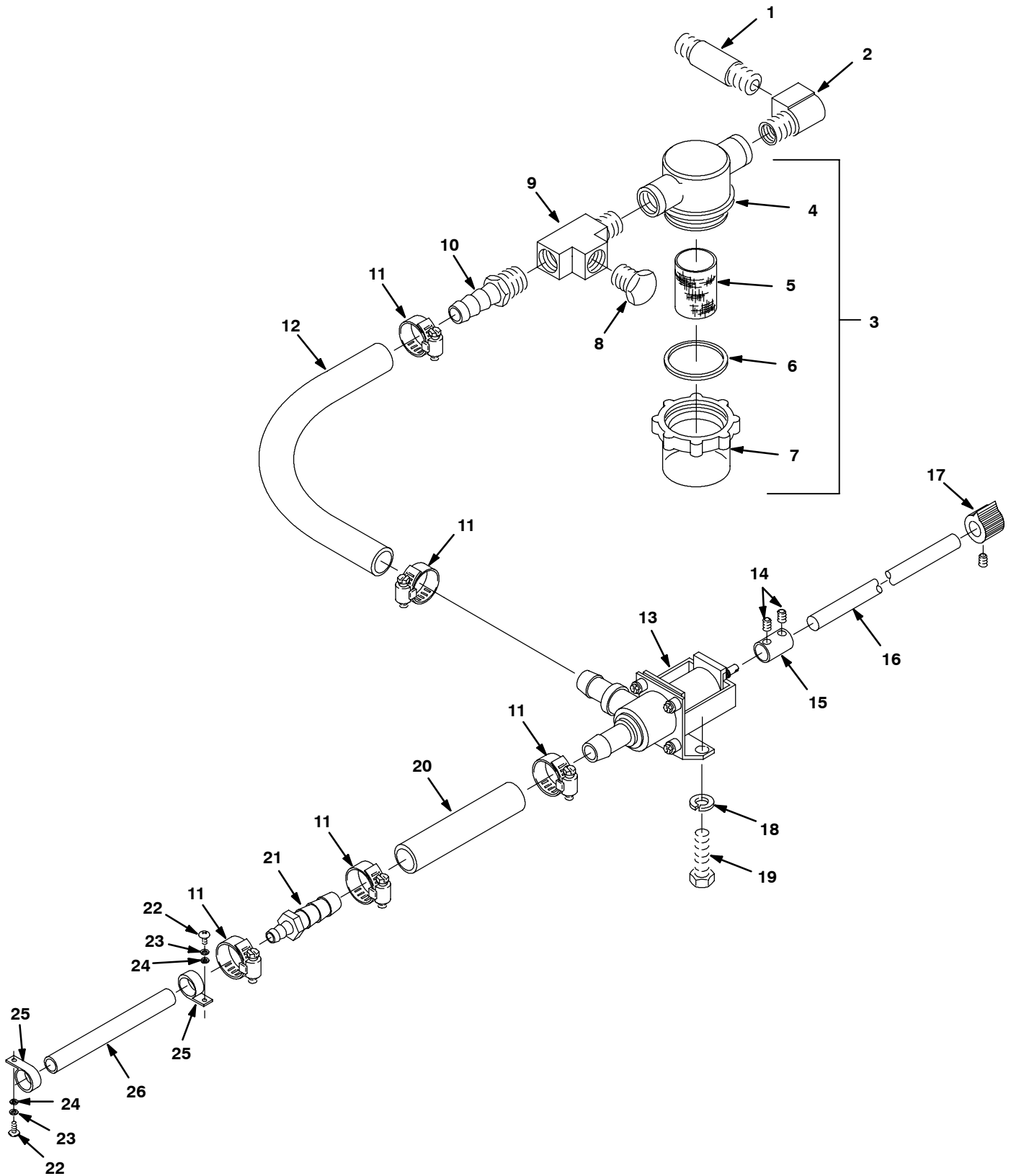
▽ ASSEMBLY / CONJUNTO / ENSEMBLE

▲ INCLUDED IN ASSEMBLY / INCLUIDO EN EL CONJUNTO / Y COMPRIS EN ENSEMBLE

● RECOMMENDED STOCK ITEMS / ARTICULOS RECOMENDADOS PARA MANTENER EN EXISTENCIA / ÉLÉMENTS DE STOCK RECOMMANDÉS

# PARTS LIST - LISTA DE PIEZAS - LISTE DES PIÈCES

## PLUMBING GROUP / GRUPO DE TUBERÍAS / ENSEMBLE DES CONDUITES





# PARTS LIST - LISTA DE PIEZAS - LISTE DES PIÈCES

## PLUMBING GROUP / GRUPO DE TUBERÍAS / ENSEMBLE DES CONDUITES

REF	PART #	DESCRIPTION	QTY.
1	601489	FITTING, BRS STR PM06X2.0 NIP	1
2	150420	FITTING, 3/8M X 3/8F ELB 90°	1
∇ 3	1005302	●FILTER, INLINE 80 MESH	1
▲ 4	613993	BODY, TOP FILTER	1
▲ 5	1005304	SCREEN, FILTER 80 MESH	1
▲ 6	613992	GASKET, FILTER	1
▲ 7	613991	BOWL, CLEAR FILTER	1
8	630146	PLUG, 3/8 NPT NYLON	1
9	601483	FITTING, 3/8M X 3/8F TEE STR	1
10	14884	FITTING, BRS STR BM08/PM06	1
11	54333	CLAMP, HOSE WORM 0.31-0.88D	5
12	613518	TUBING, 1/2IDX3/4OD VNYL (611259)	0.670 FT.
13	630022	●VALVE, SOLENOID 24VDC	1
	614265	●KIT, WATER, VALVE, REBUILD	1

REF	PART #	DESCRIPTION	QTY.
14	069762095	SCREW, 10-24X1/4 SKSET	2
15	601472	COUPLING	1
16	601473	ROD, WATER VALVE	1
17	626121	KNOB, WATER VALVE	1
18	140016	WASHER, LOCK 0.25	2
19	15678	SCREW, HEX M6X1.0X16	2
20	069760725	HOSE, SOL 1/2IDX3.25" (611259)	0.250 FT.
21	630164	FITTING, PLSTC STR BM08/BM04	1
22	579259	SCREW, PAN M04X0.7X12	2
23	140023	WASHER, LOCK INT #8	2
24	200301014	WASHER, M4.3X10.1X1 FLT	2
25	140328	CLAMP, CABLE 3/8ID BLACK NY	2
26	578569	HOSE, 1/4IDX4.5" (578095000)	4.000 IN.

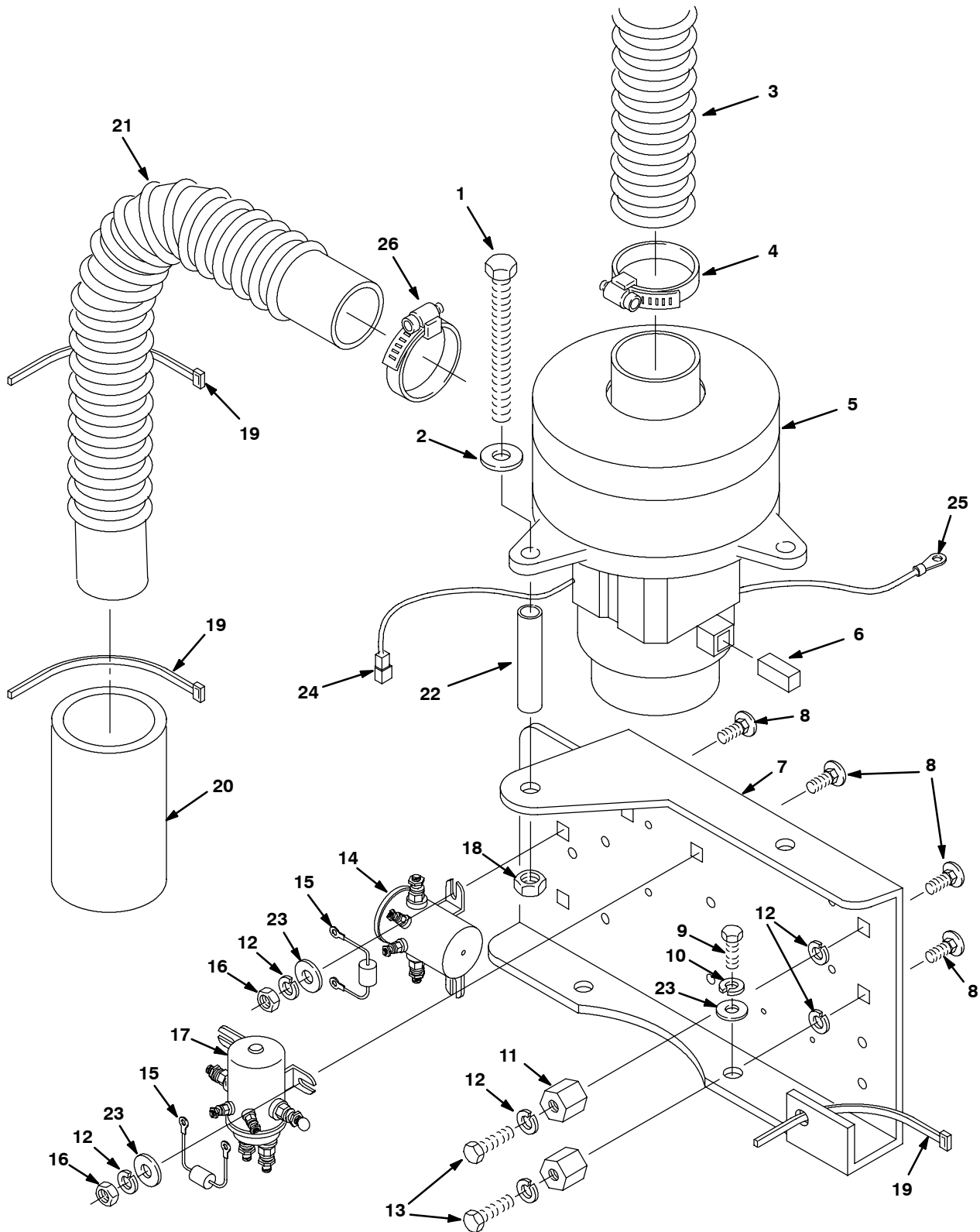
∇ ASSEMBLY / CONJUNTO / ENSEMBLE

▲ INCLUDED IN ASSEMBLY / INCLUIDO EN EL CONJUNTO / Y COMPRIS EN ENSEMBLE

● RECOMMENDED STOCK ITEMS / ARTICULOS RECOMENDADOS PARA MANTENER EN EXISTENCIA / ÉLÉMENTS DE STOCK RECOMMANDÉS

# PARTS LIST - LISTA DE PIEZAS - LISTE DES PIÈCES

## VACUUM MOTOR GROUP / CONJUNTO DEL MOTOR DE ASPIRACIÓN / GROUPE MOTEUR D'EXTRACTEUR



# PARTS LIST - LISTA DE PIEZAS - LISTE DES PIÈCES

## VACUUM MOTOR GROUP / CONJUNTO DEL MOTOR DE ASPIRACIÓN / GROUPE MOTEUR D'EXTRACTEUR

REF	PART #	DESCRIPTION	QTY.
1	630432	SCREW, HEX M06 X 1.0 X 50	2
2	140000	WASHER, FLAT 1/4	2
3	160426	●HOSE, VAC 1-1/2X15" W/CUFF	1
4	11531	CLAMP, HOSE 1.06-2.00D, .56W	1
▽ 5	601468	●MOTOR, VAC 24V 2-STG	1
▲ 6	190163	●CARBON BRUSH (2/PK)	1
7	601463	BRACKET, VAC MOTOR	1
8	069767164	BOLT, CARRIAGE .25-20X.50	6
9	15678	SCREW, HEX M6X1.0X16	2
10	140016	WASHER, LOCK 0.25	2
11	76062	STANDOFF, WIRE, M6, INSULATOR	2
12	140016	WASHER, LOCK 0.25	8
13	140259	SCREW, HEX 1/4-20X.62	2
14	605905AM	●SOLENOID, 24VDC 125A (MAIN)	1
15	606404	●DIODE, ASM W/RING TERMINALS	2
16	32520	NUT, HEX JAM .25-20	4

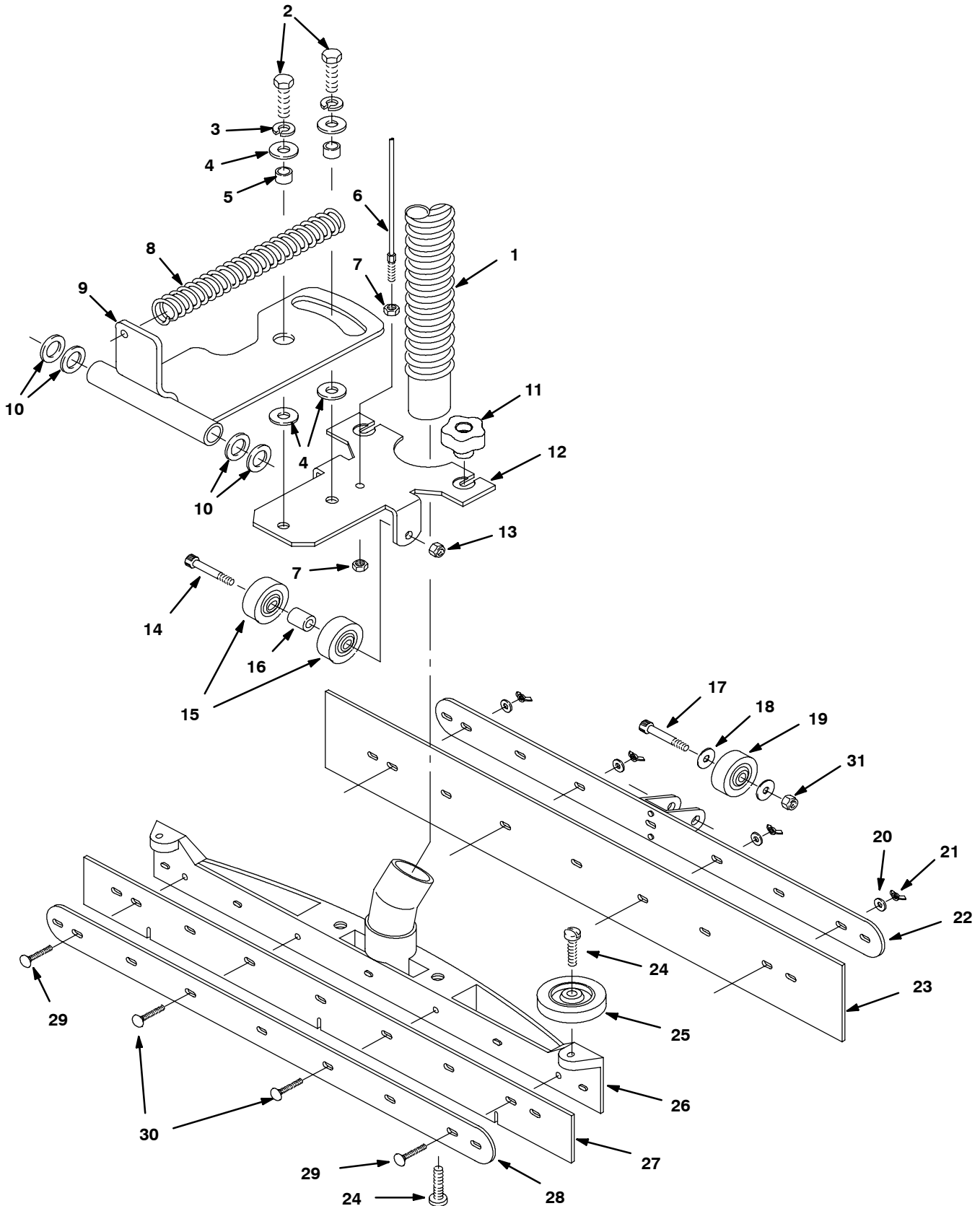
REF	PART #	DESCRIPTION	QTY.
17	610742AM	●SOLENOID, 24VDC (BRUSH)	1
18	08712	NUT, HEX LOCK M6 X 1.0 NL	2
19	130041	TIE, WIRE 11-1/2 X .19 NY	3
20	600009	MUFFLER, VAC EXHAUST	1
21	160459	●HOSE, VAC 1-1/2X16" BLACK	1
22	019686096	SPACER, 6.4 X 12.7 X 28	2
23	140000	WASHER, FLAT 1/4	6
24	130096	TERMINAL, BLADE MAL .25	1
25	281001014	TERMINAL, RING 1/4 10-12	1
26	140308	CLAMP, HOSE 1-5/16 TO 2-1/4	1

▽ ASSEMBLY / CONJUNTO / ENSEMBLE

▲ INCLUDED IN ASSEMBLY / INCLUIDO EN EL CONJUNTO / Y COMPRIS EN ENSEMBLE

● RECOMMENDED STOCK ITEMS / ARTICULOS RECOMENDADOS PARA MANTENER EN EXISTENCIA / ÉLÉMENTS DE STOCK RECOMMANDÉS

SQUEEGEE GROUP / CONJUNTO PALETA / GROUPE DE LA RACLETTE



# PARTS LIST - LISTA DE PIEZAS - LISTE DES PIÈCES

## SQUEEGEE GROUP / CONJUNTO PALETA / GROUPE DE LA RACLETTE

REF	PART #	DESCRIPTION	QTY.
1	160617	●HOSE, VAC 1-1/2"X24" W/CUFFS	1
2	140237	SCREW, HEX .50-13X1.00	2
3	140024	WASHER, LOCK 0.50	2
4	140045	WASHER, 0.51B 1.25D .06 FLT	4
5	140139	SLEEVE, 0.625D 0.50B 0.25L	2
6	601428	CABLE, SQUEEGEE	1
7	601476	NUT, 1/4-20 LOCK TWO-WAY	2
8	603149	SPRING, EXT .65 X 5.00 X .069	1
9	601452	BRACKET, SQ. PIVOT	1
10	140047	WASHER, FLAT 1.246 X .754 X .062	4
11	1011094	●KNOB, RND 1.50IN DIA 5 EAR	2
12	601451	BRACKET, SQUEEGEE MOUNT	1
13	601108000	NUT, 5/16-18 HXLCK THIN NY	1
14	603144	BOLT, SHLD .38D X 3.00	1
15	630477	●WHEEL, 2.0D 0.38W POLY GRAY	2
16	603368	SPACER, .39 X .75 X .75 NY	1
▽	605856	ASM., SQUEEGEE GUM RUBBER	1
▲	600187	BOLT, SHLD .38D X 1.25, .31-18	1
▲	140028	WASHER, FLAT .38	2
▲	630477	●WHEEL, 2.0D 0.38W POLY GRAY	1

REF	PART #	DESCRIPTION	QTY.
▲	20	140000 WASHER, FLAT 1/4	4
▲	21	140536 NUT, WING .25-20	4
▲	22	601457 STRIP, REAR RETAINER	1
▲	23	601455 ●BLADE, SQ. REAR GUM	1
		601486 ●BLADE, SQ. REAR LINATEX (OPTION)	1
		601488 ●BLADE, SQ. REAR URETHANE (OPTION)	1
▲	24	140799 SCREW, TRS 5/16-18X1.50 PHL	4
▲	25	1014918 ●WHEEL, RBR 3"X.88" W/BUSHING	2
▲	26	601450 CASTING, SQUEEGEE	1
▲	27	601454 ●BLADE, SQ. FRONT GUM	1
		601485 ●BLADE, SQ. FRONT LINATEX (OPTION)	1
		601487 ●BLADE, SQ. FRONT URETHANE (OPTION)	1
▲	28	601456 STRIP, FRONT RETAINER	1
▲	29	612184000 BOLT, CARRIAGE .25-20X1.5	2
▲	30	612186000 BOLT, CARRIAGE .25-20X2.5	2
▲	31	601108000 NUT, 5/16-18 HXLCK THIN NY	1

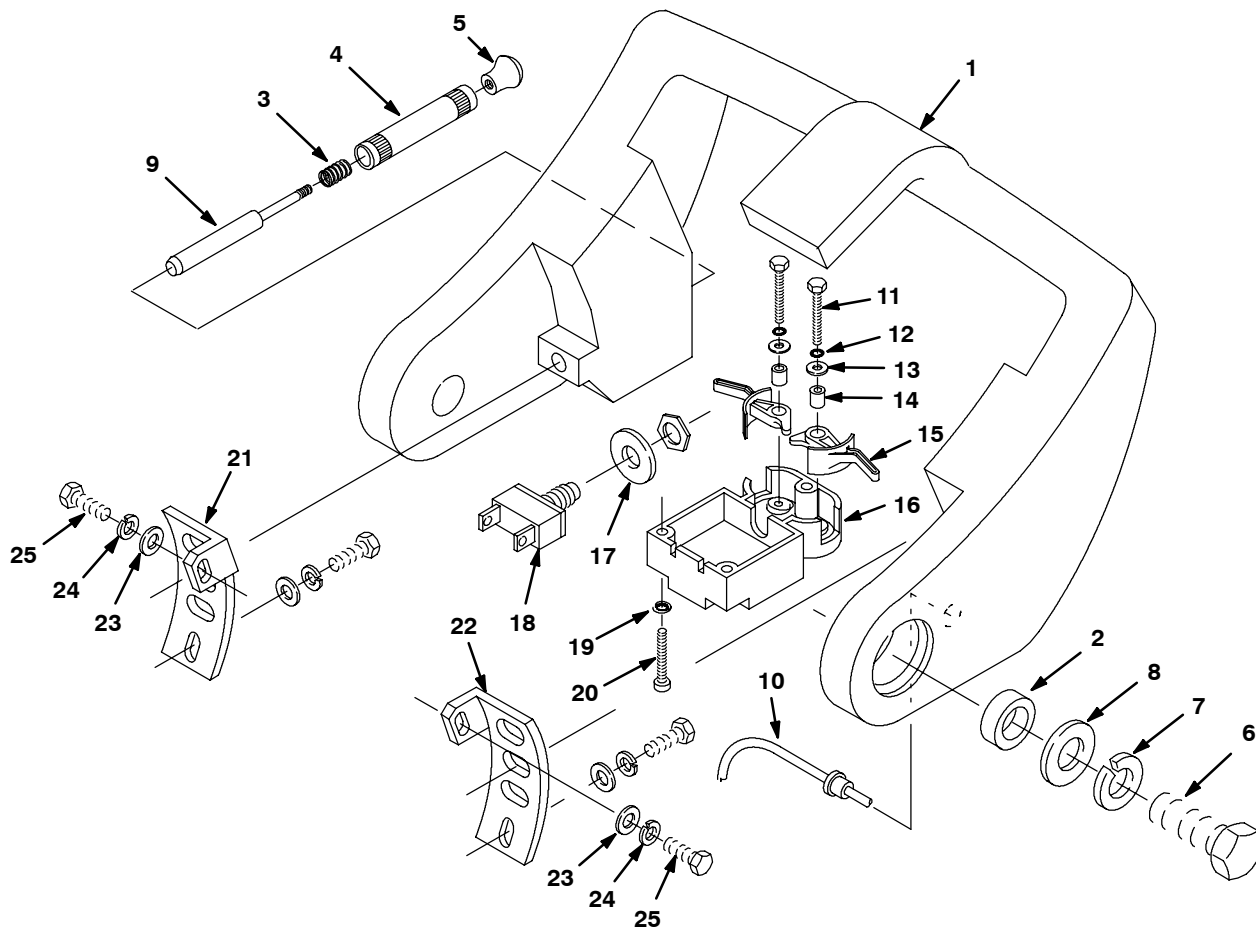
▽ ASSEMBLY / CONJUNTO / ENSEMBLE

▲ INCLUDED IN ASSEMBLY / INCLUIDO EN EL CONJUNTO / Y COMPRIS EN ENSEMBLE

● RECOMMENDED STOCK ITEMS / ARTICULOS RECOMENDADOS PARA MANTENER EN EXISTENCIA / ÉLÉMENTS DE STOCK RECOMMANDÉS

# PARTS LIST - LISTA DE PIEZAS - LISTE DES PIÈCES

## CONTROL HANDLE GROUP / MANIJA GRUPO / POIGNÉE GROUPE



REF	PART #	DESCRIPTION	QTY.
▽	1	608360 HANDLE KIT, GREEN	1
▲	2	1002725 SPACER, 0.875OD 6.504ID 0.62L	2
	3	601470 SPRING, CMPR 12.2D 1.0W 25.4L	2
	4	601421 TUBE, HANDLE LATCH	2
	5	601424 KNOB, LATCH	2
	6	601435 SCREW, HXHD M12X30MM	2
	7	140024 WASHER, LOCK	2
	8	140045 WASHER, FLAT	2
	9	601422 PIN, HANDLE LATCH	2
	10	607109 CORD, 18/2 SVTX27 3/8 SJT	1
▽		611469 ASM., TRIGGER CONTROL BOX	1
▲	11	069764190 SCREW, HEX M03X0.5X16	2
▲	12	200662012 WASHER, LOCK	2

REF	PART #	DESCRIPTION	QTY.
▲	13	578186000 WASHER, FLAT	2
▲	14	578082000 SPACER	2
▲	15	578002000 ARM, TRIGGER	2
▲	16	601429 CONSOLE, TRIGGER	1
▲	17	578430 WASHER, FLAT	1
▲	18	130712 ●SWITCH, PULSE	1
	19	140061 WASHER, #8 EXT	3
	20	33931 SCREW, PAN M4X0.7X30 SS	3
	21	601423 BRACKET, LATCH RIGHT	1
	22	601465 BRACKET, LATCH LEFT	1
	23	140027 WASHER, FLAT	4
	24	140015 WASHER, LOCK	4
	25	630425 SCREW, M8X20MM	4

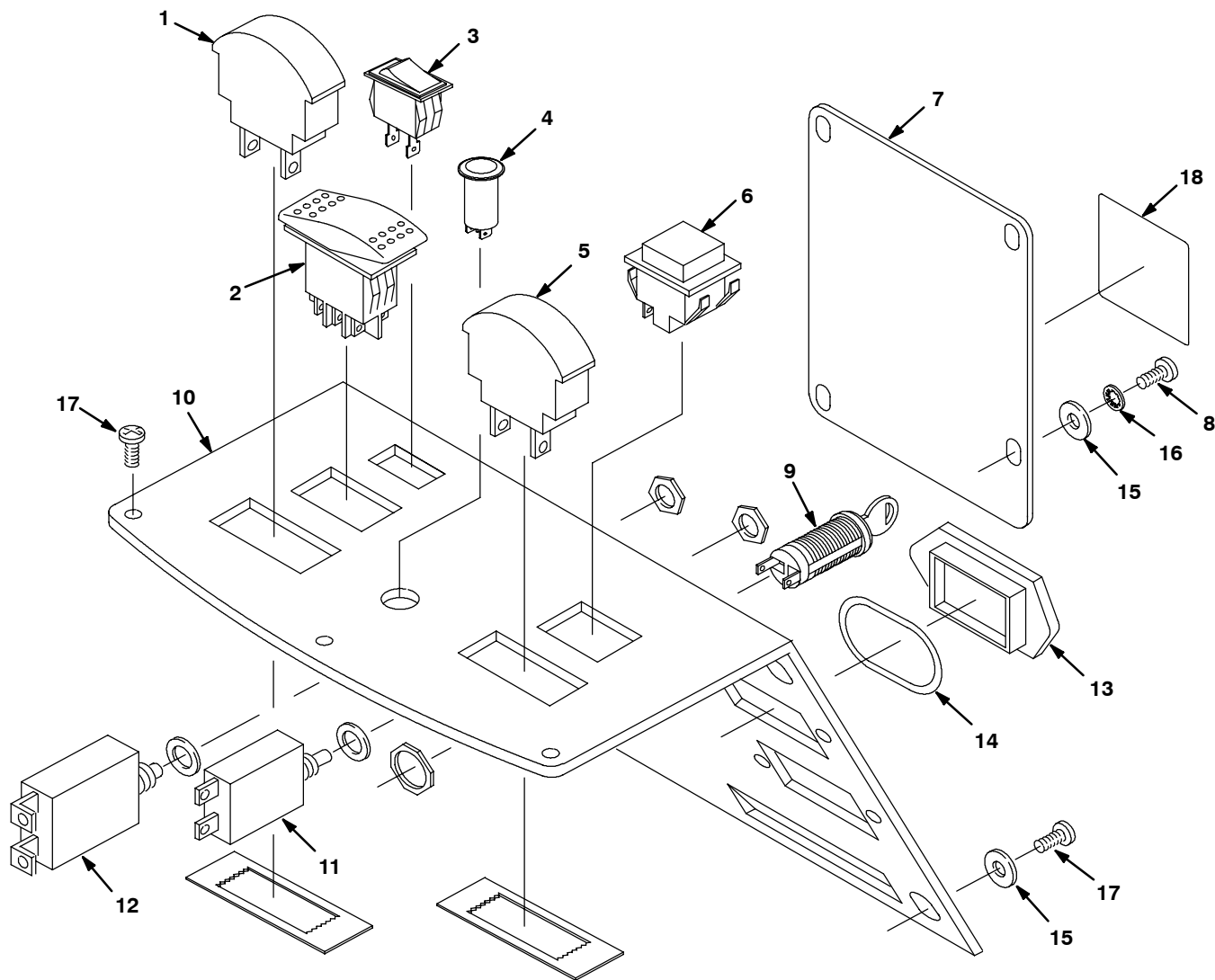
▽ ASSEMBLY / CONJUNTO / ENSEMBLE

▲ INCLUDED IN ASSEMBLY / INCLUIDO EN EL CONJUNTO / Y COMPRIS EN ENSEMBLE

● RECOMMENDED STOCK ITEMS / ARTICULOS RECOMENDADOS PARA MANTENER EN EXISTENCIA / ÉLÉMENTS DE STOCK RECOMMANDÉS

# PARTS LIST - LISTA DE PIEZAS - LISTE DES PIÈCES

## CONTROL CONSOLE GROUP / CONJUNTO CONSOLA DE CONTROLES / GROUPE TABLEAU DE COMMANDE



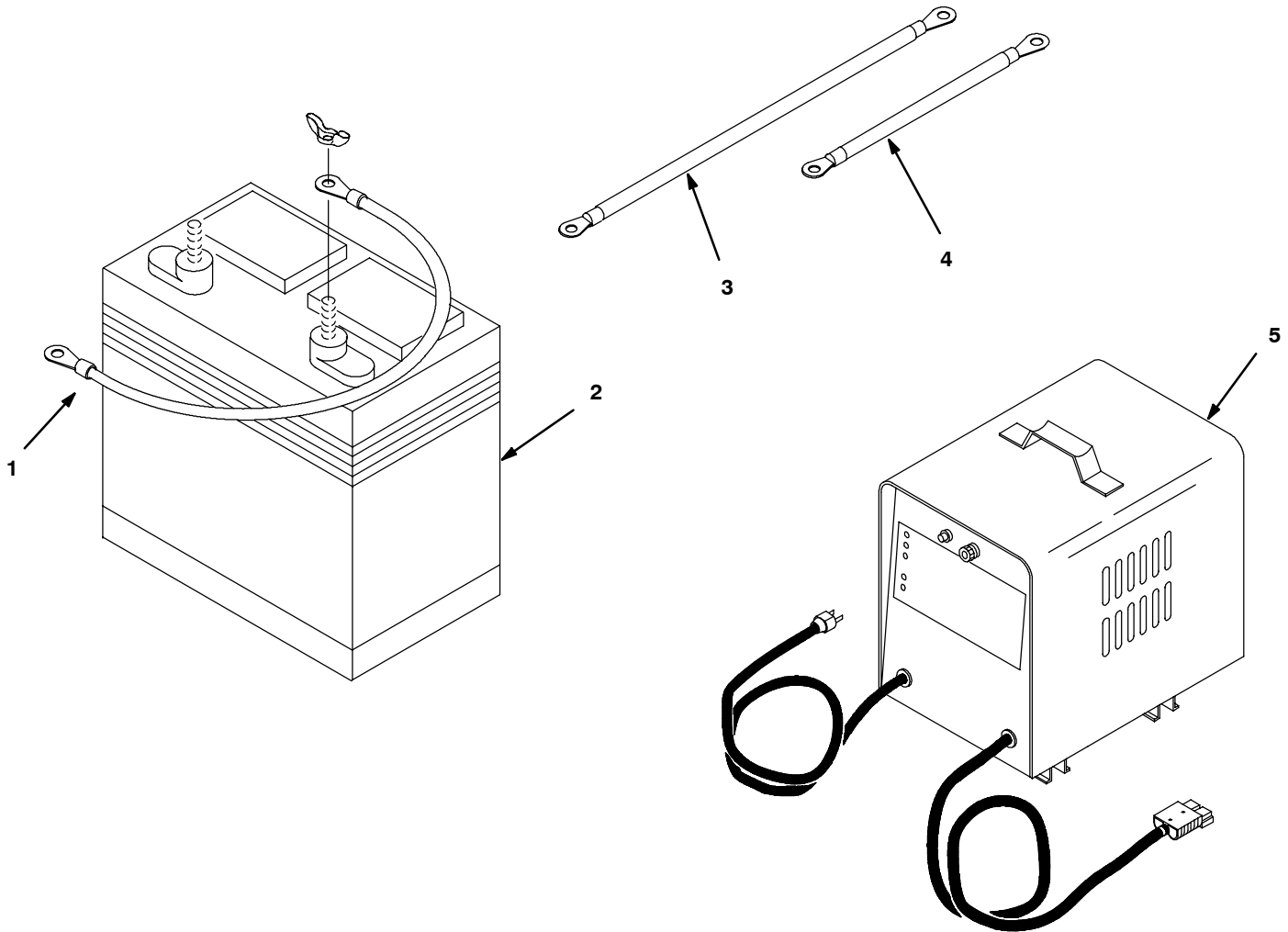
REF	PART #	DESCRIPTION	QTY.
1	130015AM	●METER, BATTERY VOLTAGE	1
2	608605	●SWITCH, ROCKER 250VAC 10A	1
3	630419	●SWITCH, ROCKER 28VDC SPST	1
4	130738	●LIGHT, INDICATOR GREEN VDC	1
5	603212AM	●GAUGE, BRUSH PRESSURE	1
6	130441AM	●SWITCH, PUSH MOMENTARY	1
7	601415	PANEL, COVER	1
8	1026454	SCREW, PAN M5X0.8X10 SS	2
9	607475	●SWITCH, KEYLOCK 12AMP	1
	607821	●KEY, REPLACEMENT STEEL	1

REF	PART #	DESCRIPTION	QTY.
10	610723	PANEL, CONSOLE BLACK	1
11	130752AM	●BREAKER, CIRCUIT 20AMP	1
12	602951AM	●BREAKER, CIRCUIT 35AMP	1
13	609969	PLUG, HOUR METER	2
14	605823	O-RING, .926ID X .996	2
15	140011	WASHER, FLAT 0.18	6
16	07514	WASHER, LOCK INT #10, SS	2
17	1009324	SCREW, PAN PHL 10X1/2 BLK	7
18	606105	LABEL, HAZARD DO NOT SPRAY	1
N/S	608942	HARNES, WIRE MAIN	1

● RECOMMENDED STOCK ITEMS / ARTICULOS RECOMENDADOS PARA MANTENER EN EXISTENCIA / ÉLÉMENTS DE STOCK RECOMMANDÉS

# PARTS LIST - LISTA DE PIEZAS - LISTE DES PIÈCES

## BATTERY AND CHARGER GROUP / CONJUNTO DE BATERÍA Y CARGADOR / GROUPE DE BATTERIE ET DE CHARGEUR





# PARTS LIST - LISTA DE PIEZAS - LISTE DES PIÈCES

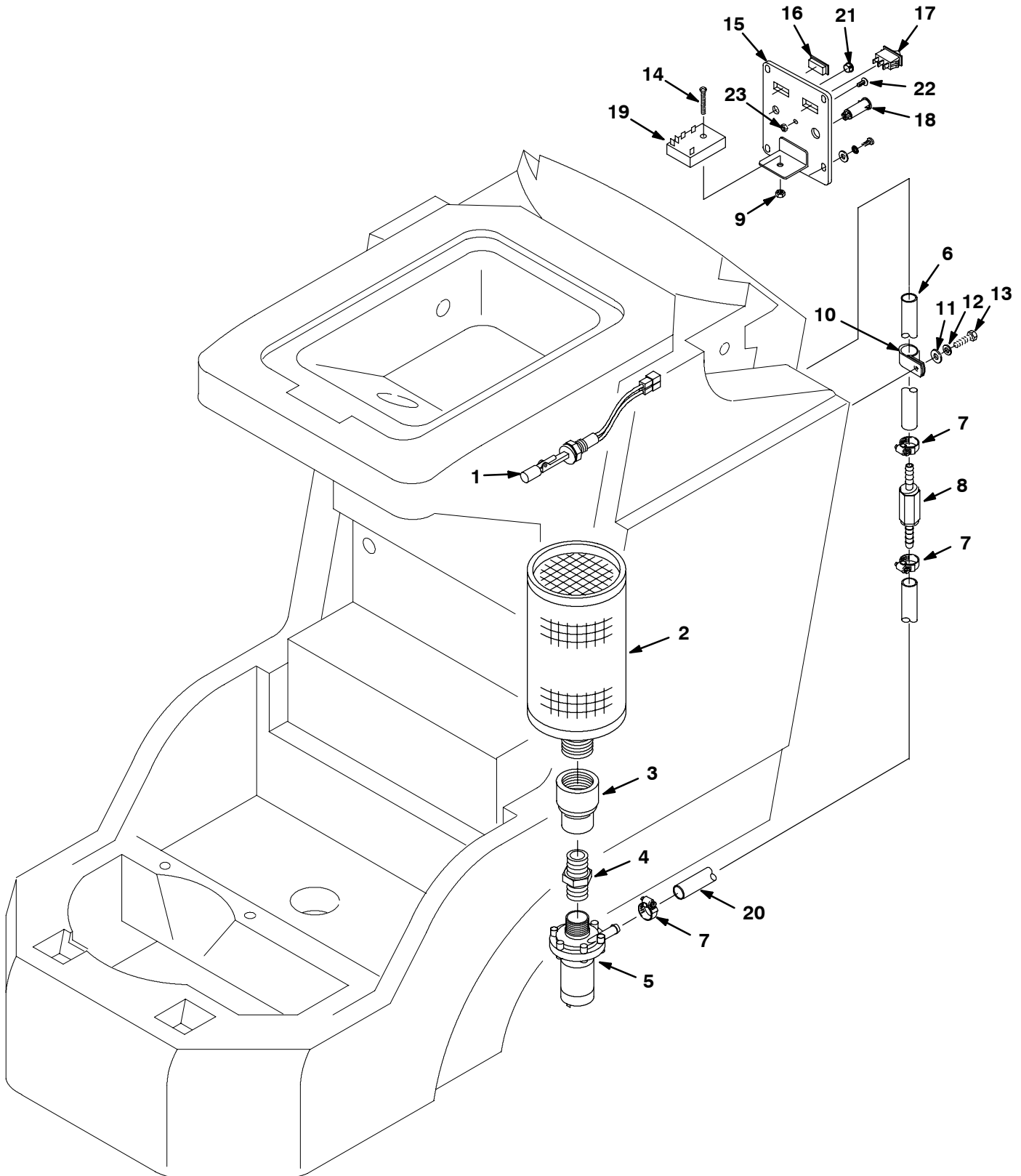
---

## BATTERY AND CHARGER GROUP / CONJUNTO DE BATERÍA Y CARGADOR / GROUPE DE BATTERIE ET DE CHARGEUR

REF	PART #	DESCRIPTION	QTY.
1	602871	●CABLE, BATTERY 6 BLK X 24"	1
2	130869	BATTERY, 12VDC 130AH (WET)	2
	600594	BATTERY, 12VDC 130AH (DAMP)	2

REF	PART #	DESCRIPTION	QTY.
3	603208	●WIRE ASM., #6 X 24" BLK	1
4	603207	●WIRE ASM., #6 X 12" RED	1
5	603553	CHARGER, BATTERY 24V 15AMP	1

ES (EXTENDED SCRUB) KIT / CONJUNTO DEL SISTEMA ES / GROUPE ES



# OPTIONS - OPCIONES - ÉQUIPEMENT AU CHOIX

## ES (EXTENDED SCRUB) KIT / CONJUNTO DEL SISTEMA ES / GROUPE ES

REF	PART #	DESCRIPTION	QTY.
	603171	●KIT, ES & WAND PUMP	1
∇	603172	●KIT, EXTENDED SCRUB (ES)	1
▲ 1	603166	●SENSOR, LIQUID LEVEL 28VDC	1
▲ 2	578445	●FILTER, SCREEN 100 MESH	1
▲ 3	601484	FITTING, 3/4FX1" F REDUCER PVC	1
▲ 4	630385	FITTING, PLSTC STR PM12/PM12	1
▲ 5	630136	●PUMP, SOL. 24VDC	1
▲ 6	606363	HOSE, 3/8IDX5/8ODX13" (376720)	1.083 FT.
▲ 7	54333	CLAMP, HOSE WORM 0.33-0.88D	3
▲ 8	210044	●VALVE, CHECK	1
▲ 9	09739	NUT, HEX LOCK M5X0.8 NL	1
▲ 10	140316	CLAMP, CABLE INSULATED 1/2ID	1
▲ 11	140000	WASHER, FLAT 0.25B	1

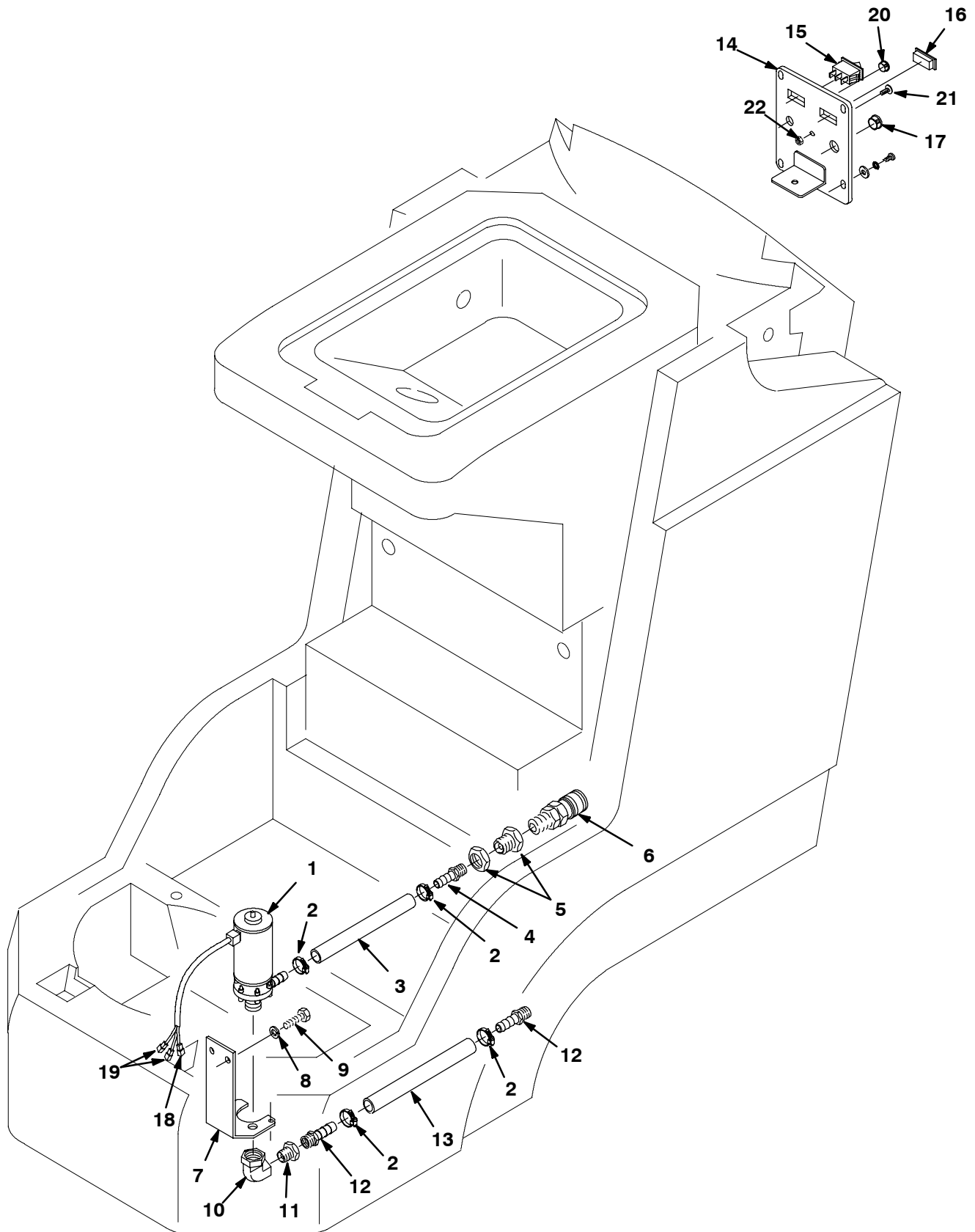
REF	PART #	DESCRIPTION	QTY.
12	140016	WASHER, LOCK 0.25	1
13	608322	SCREW, TRS M6X1.0X16 PHL	1
▲ 14	578008000	SCREW, PAN M5X0.8X30 PHL	1
▲ 15	601416	PANEL, ACCESSORY ES/WAND	1
▲ 16	582150	BUTTON, PLUG ACCESSORY	1
▲ 17	630419	●SWITCH, ROCKER 28VDC SPST	1
▲ 18	130738	LIGHT, INDICATOR VDC GREEN	1
▲ 19	630145	●TIMER	1
▲ 20	606317	HOSE, 3/8IDX5/8ODX18" (376720)	1.460 FT.
▲ 21	130164	PLUG, DOME 3/8 HOLE BLACK	1
▲ 22	579259	SCREW, PAN M4X0.7X12 PHL	1
▲ 23	02850	NUT, HEX LOCK M4X0.7 NL	1

∇ ASSEMBLY / CONJUNTO / ENSEMBLE

▲ INCLUDED IN ASSEMBLY / INCLUIDO EN EL CONJUNTO / Y COMPRIS EN ENSEMBLE

● RECOMMENDED STOCK ITEMS / ARTICULOS RECOMENDADOS PARA MANTENER EN EXISTENCIA / ÉLÉMENTS DE STOCK RECOMMANDÉS

WAND PUMP KIT /  
CONJUNTO DE LA BOMBA DEL TUBO / GROUPE POMPE D'AUXILIAIRE D'EXTRACTION



# OPTIONS - OPCIONES - ÉQUIPEMENT AU CHOIX

## WAND PUMP KIT / CONJUNTO DE LA BOMBA DEL TUBO / GROUPE POMPE D'AUXILIAIRE D'EXTRACTION

REF	PART #	DESCRIPTION	QTY.
	603171	●KIT, ES & WAND PUMP	1
▽	603173	●KIT, WAND PUMP	1
▲ 1	630136	●PUMP, SOL 24VDC	1
▲ 2	54333	CLAMP, HOSE WORM 0.33-0.88D	4
▲ 3	575501000	HOSE, 3/8IDX5/8ODX8" (376720)	0.660 FT.
▲ 4	150516	FITTING, BRS STR BM06/PM05	1
▲ 5	78122	FITTING, BRS STR PF04/PF04, BH	1
▲ 6	608292	QUICK CONN., FML 3/8"X1/4"NPT	1
▲ 7	601479	BRACKET, WAND PUMP	1
▲ 8	140016	WASHER, LOCK	2
▲ 9	200031433	SCREW, HEX M6 X 1.0 X 12	2
▲ 10	630251	FITTING, PIPE E90 PF12/PF12	1

REF	PART #	DESCRIPTION	QTY.
▲ 11	630252	FITTING, BRS PM12/PF06 BUSHING	1
▲ 12	150538	FITTING, PLSTC STR PM06/BM06	2
▲ 13	606325	HOSE, 3/8IDX5/8ODX24" (376720)	2.000 FT.
▲ 14	601416	PANEL, ACCESSORY ES/WAND	1
▲ 15	630419	●SWITCH, ROCKER 28VDC SPST	1
▲ 16	582150	BUTTON, PLUG, ASSY SWITCH	1
▲ 17	069764626	PLUG, HOLE	1
18	130125	RING, TERMINAL	1
19	130133	TERMINAL, MALE DISCONNECT	2
▲ 20	130164	PLUG, DOME 3/8" HOLE BLACK	1
▲ 21	579259	SCREW, PAN M04 X 0.7 X 12 PHL	1
▲ 22	02850	NUT, HEX LOCK M4 X 0.7 NL	1

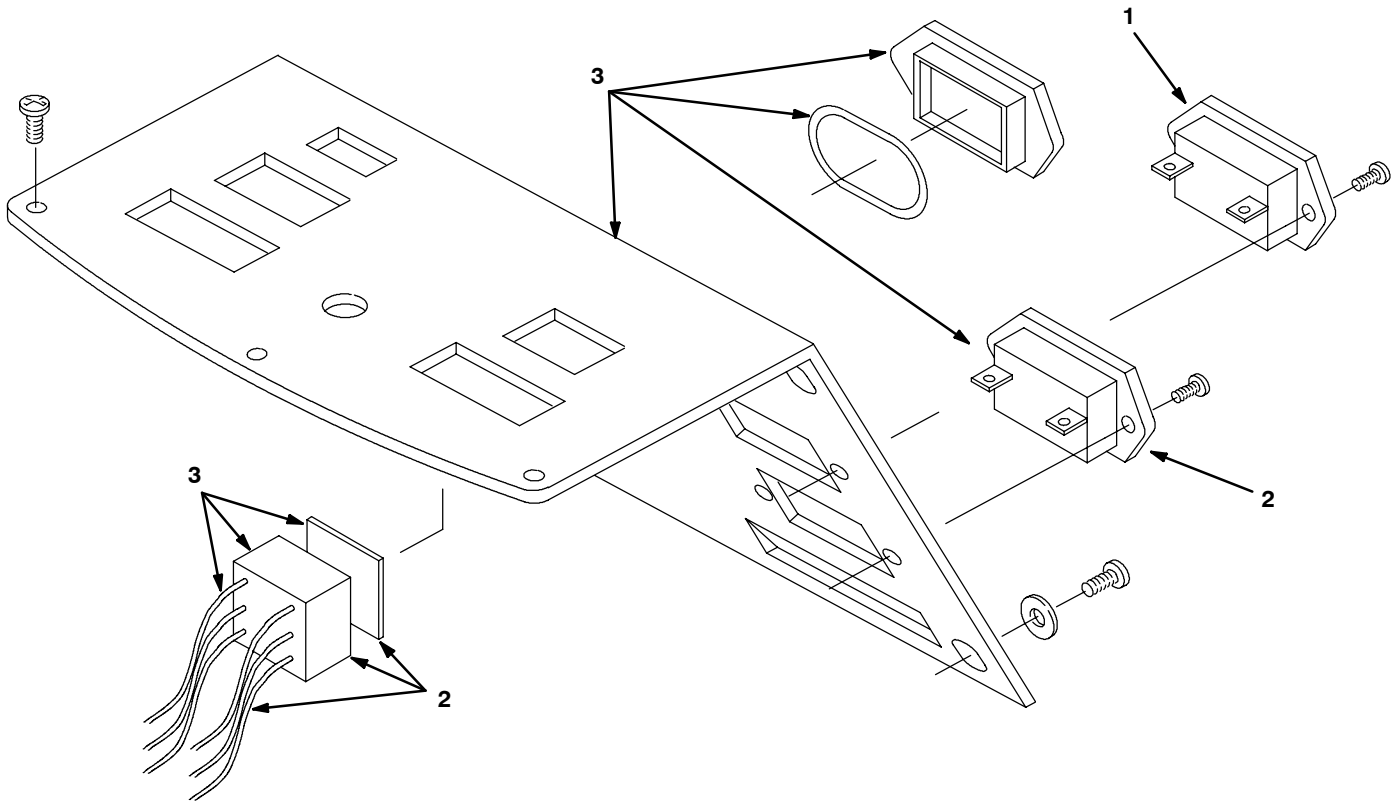
▽ ASSEMBLY / CONJUNTO / ENSEMBLE

▲ INCLUDED IN ASSEMBLY / INCLUIDO EN EL CONJUNTO / Y COMPRIS EN ENSEMBLE

● RECOMMENDED STOCK ITEMS / ARTICULOS RECOMENDADOS PARA MANTENER EN EXISTENCIA / ÉLÉMENTS DE STOCK RECOMMANDÉS

# OPTIONS - OPCIONES - ÉQUIPEMENT AU CHOIX

## HOUR METER AND LOW VOLTAGE INTERRUPTER KITS CONTADOR DE HORAS Y CONJUNTO DEL INTERRUPTOR DE BAJO VOLTAJE / GROUPE COMPTEUR HORAIRE ET INTERRUPTEUR BASSE TENSION



REF	PART #	DESCRIPTION	QTY.
1	603174	●KIT, HOUR METER	1
∇ 2	610725	●KIT, LOW VOLTAGE INTERRUPTER	1
▲	603076	●GAUGE, BATTERY 24V	1
▲	603314	●ASM., RELAY 24V	1
▲	610848	ASM., WIRE #18 X 6"	1
▲	610849	ASM., WIRE #18 X 8.5"	1
▲	130040	WIRE TIE NYLON	1

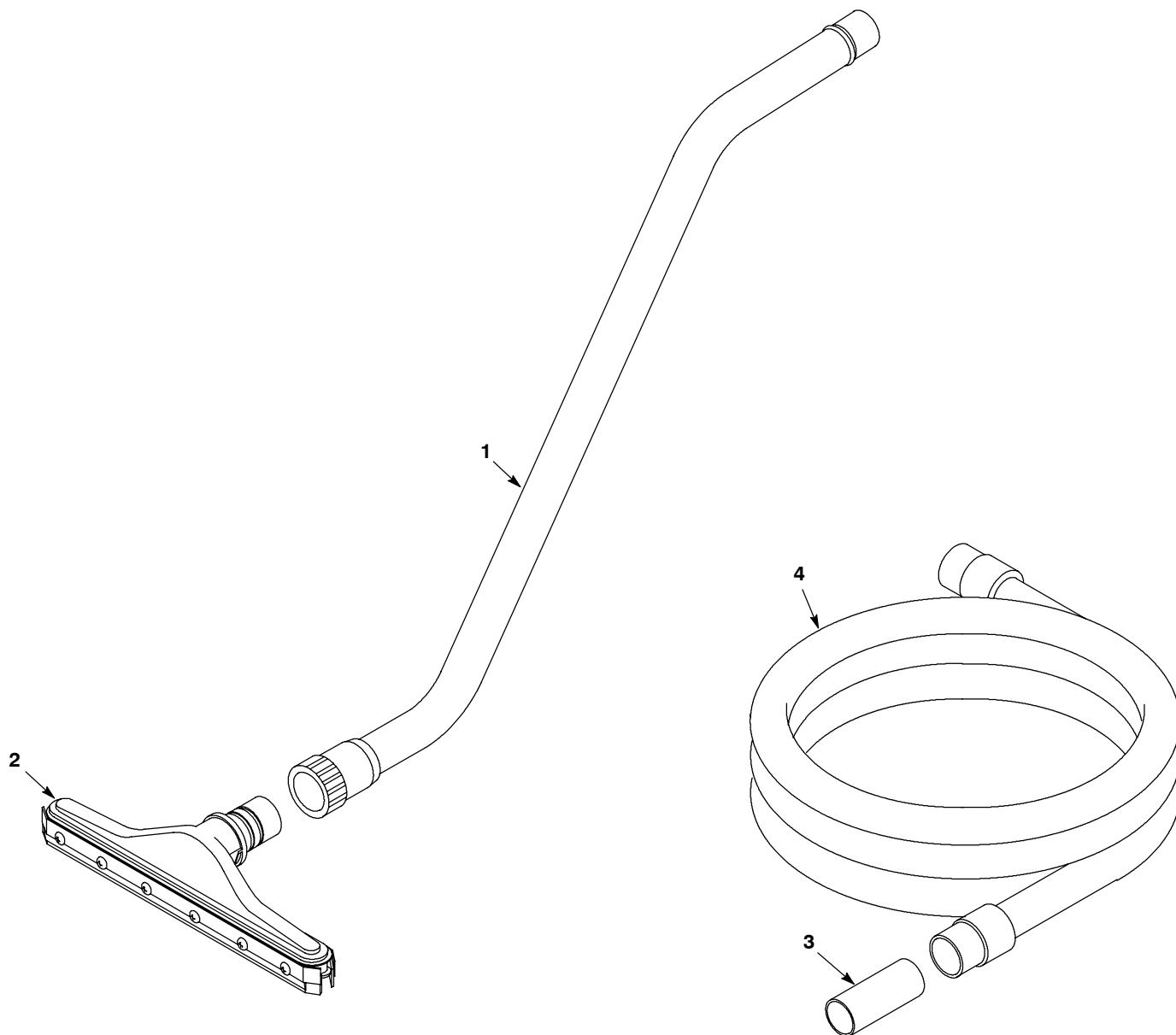
∇ ASSEMBLY / CONJUNTO / ENSEMBLE

▲ INCLUDED IN ASSEMBLY / INCLUIDO EN EL CONJUNTO / Y COMPRIS EN ENSEMBLE

● RECOMMENDED STOCK ITEMS / ARTICULOS RECOMENDADOS PARA MANTENER EN EXISTENCIA / ÉLÉMENTS DE STOCK RECOMMANDÉS

REF	PART #	DESCRIPTION	QTY.
∇ 3	610724	●KIT, LOW VOLTAGE INTERRUPTER (FOR MACHINES MANUFACTURED BEFORE AUG. 2000)	1
▲	603076	●GAUGE, BATTERY 24V	1
▲	603314	●ASM., RELAY 24V	1
▲	610848	ASM., WIRE #18 X 6"	1
▲	610849	ASM., WIRE #18 X 8.5"	1
▲	130040	WIRE TIE NYLON	1
▲	609969	PLUG, HOUR METER	1
▲	605823	●O-RING	1
▲	610723	PANEL, CONSOLE BLACK	1

WET PICK-UP TOOL KIT  
KIT DE HERRAMIENTA MOJADO / GROUPE RACLOIR AUXILIAIRE D'EXTRACTION



REF	PART #	DESCRIPTION	QTY.
▽	190928	●KIT, WET PICK-UP TOOL	1
▲▽ 1	6108.1	●WAND, TWO BEND ALUMINUM	1
▲	605257	●RING, LOCK BRASS	1
▲	600828	●NUT, WAND COUPLING	1
▲▽ 2	13840	●TOOL, SQUEEGEE PUSH/PULL 14" (355MM)	1
▲	605137	●BLADES, REPLACEMENT (SET/4)	1

REF	PART #	DESCRIPTION	QTY.
▲ 3	160451	●CONNECTOR, 1-1/2 VAC HOSE	1
▲ 4	160481	●HOSE, VAC 1-1/2X10' (3M)	1

▽ ASSEMBLY / CONJUNTO / ENSEMBLE

▲ INCLUDED IN ASSEMBLY / INCLUIDO EN EL CONJUNTO / Y COMPRIS EN ENSEMBLE

● RECOMMENDED STOCK ITEMS / ARTICULOS RECOMENDADOS PARA MANTENER EN EXISTENCIA / ÉLÉMENTS DE STOCK RECOMMANDÉS





# OPTIONS - OPCIONES - ÉQUIPEMENT AU CHOIX

## DELUXE POWER WAND GROUP / GRUPO DEL TUBO ELÉCTRICO DELUXE / GROUPE AUXILIAIRE D'EXTRACTION DELUXE

REF	PART #	DESCRIPTION	QTY.
▽	578905000	●ASM., DELUXE POWER WAND	1
▲ 1	578060000	WAND, DOUBLE BEND	1
▲ 2	578077000	BRACKET, VALVE MOUNTING	1
▲ 3	578061000	ADAPTER, HEAD/WAND	2
▲ 4	578214000	FITTING, 1/8MX1/4H ELBOW 90 NY	1
▲ 5	579112	FITTING, SPRAY NOZZLE ADPTR	1
▲ 6	579198	RIVET, POP	2
▲ 7	578066000	●FITTING, TIP 75° 1/8K-JET BRS	1
▲ 8	578073000	●BRUSH, DECK, POLYPRO BLOCK 4 ROWS NTRL CRIMP POLYSTAR	1
▲ 9	578063000	HEAD, WAND	1
▲ 10	578078000	RETAINER, SQUEEGEE	2
▲ 11	578074000	●BLADE, SQUEEGEE	2
▲ 12	578124000	BRACKET, AXLE 1 HOLE	1
▲ 13	578439	NUT, M6X1.0 THUMB	1
▲ 14	613732	SPRING, CONICAL COMP 15MM	1
▲ 15	578143000	SCREW, SET M6X1.0X40 CUPPT	1
▲ 16	578126000	AXLE, WAND	1
▲ 17	578125000	●WHEEL, RUBBER 41.3D 19.1W	2
▲ 18	578123000	BRACKET, AXLE 3 HOLE	1
▲ 19	578155000	WELDMENT, HANDLE WAND	1

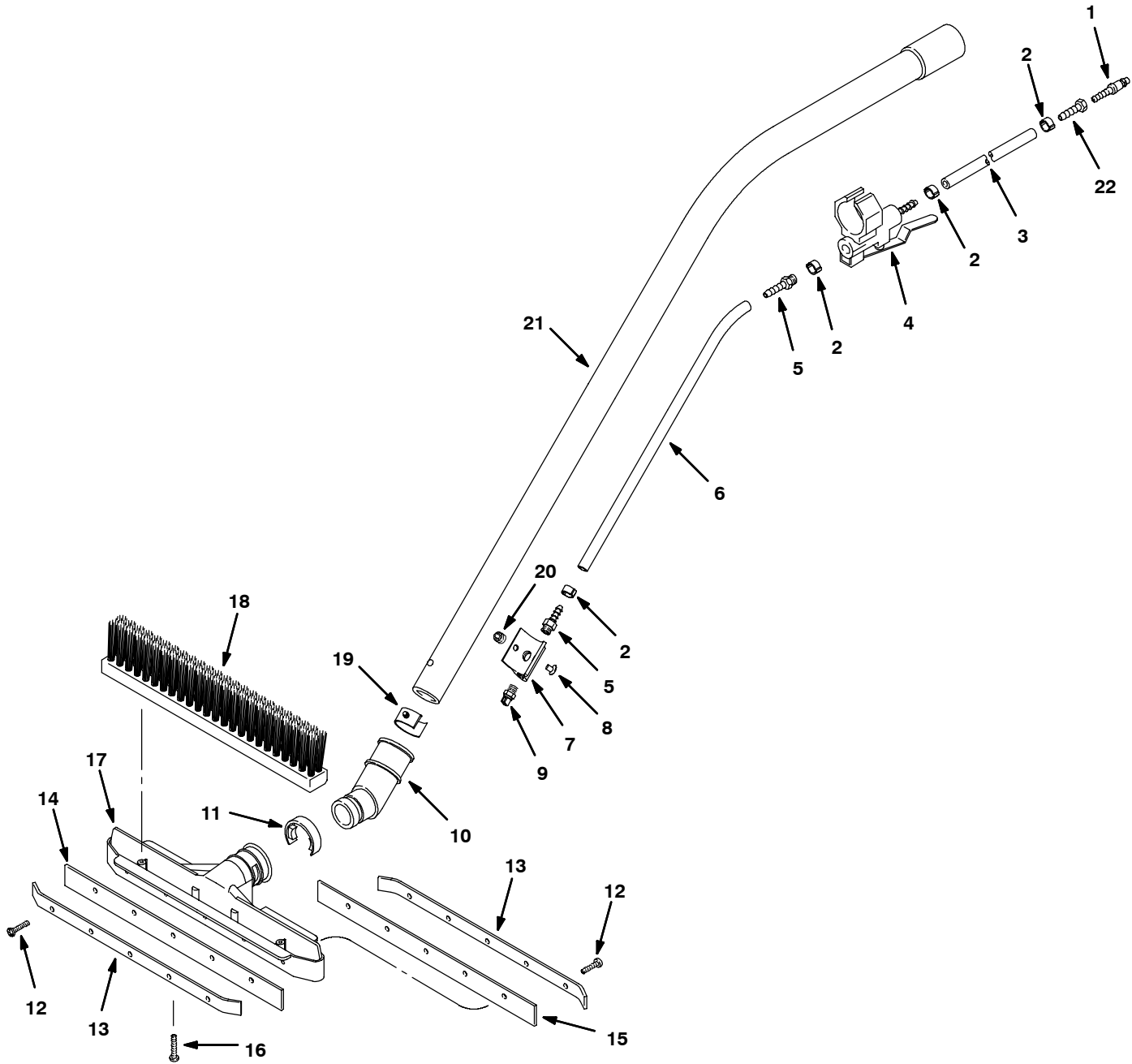
REF	PART #	DESCRIPTION	QTY.
▲ 20	578154000	BRACKET, HANDLE	1
▲ 21	578091000	●FITTING, 1/4M QD CPLR PLUG BR	1
▲ 22	578164000	GROMMET, 0.38ID, 0.62GD, .06GW	1
▲ 23	578821000	●HOSE, SOLUTION 1/4"ID	1
▲ 24	578161000	CLAMP, HOSE 8-11MM EAR	1
▲ 25	578094000	FITTING, 1/4HX1/4NPT BARB	1
▲ 26	578064000	●VALVE, WATER CONTROL	1
▲ 27	150208	FITTING, 1/8M PLUG BRS SKHD	1
▲ 28	20399	BOLT, CARRIAGE .25-20 X 0.75	2
▲ 29	200304017	WASHER, FLAT M6.4 X 13 X 1.6	2
▲ 30	41169	NUT, HEX LOCK .25-20 NL	2
▲ 31	07785	NUT, HEX STD M6 X 1.0	1
▲ 32	1026454	SCREW, PAN M5 X 0.8 X 10 SS	4
▲ 33	07514	WASHER, LOCK, INT, #10, SS	8
▲ 34	578144000	SCREW, PAN M5 X 0.8 X 16 SS	4
▲ 35	578566	SCREW, 4 X 30 FLTPHL	2
▲ 36	33932	NUT, HEX, LOCK, M4 X 0.7 NL, SS	2
▲ 37	140885	SCREW, TRS .25-20 X 0.50 PHL	2
38	65582	●BRUSH, SCRUB ABRASIVE NTRL NYLON 80GRIT (OPTIONAL)	1

▽ ASSEMBLY / CONJUNTO / ENSEMBLE

▲ INCLUDED IN ASSEMBLY / INCLUIDO EN EL CONJUNTO / Y COMPRIS EN ENSEMBLE

● RECOMMENDED STOCK ITEMS / ARTICULOS RECOMENDADOS PARA MANTENER EN EXISTENCIA / ÉLÉMENTS DE STOCK RECOMMANDÉS

POWER WAND GROUP /  
GRUPO DEL TUBO ELÉCTRICO / GROUPE AUXILIAIRE D'EXTRACTION



# OPTIONS - OPCIONES - ÉQUIPEMENT AU CHOIX

## POWER WAND GROUP / GRUPO DEL TUBO ELÉCTRICO / GROUPE AUXILIAIRE D'EXTRACTION DELUXE

REF	PART #	DESCRIPTION	QTY.
∇	579908	●WAND ASM., POWER	1
▲ 1	578091000	●FITTING, BRS, QDC, PM04 PLUG	1
▲ 2	578160000	CLAMP, HOSE, 11-13MM EAR	4
▲ 3	613536	●HOSE, 1/4ID X .400M	1
▲ 4	579107	●VALVE, WATER FLOW CNTRL	1
▲ 5	150525	FITTING, BRS, STR, PM02/BM04	2
▲ 6	613537	●HOSE, 1/4ID X 1.083M	1
▲ 7	579112	FITTING, SPRAY NOZZLE ADPTR	1
▲ 8	579198	RIVET, POP	2
▲ 9	579137	●FITTING, TIP, 9508 1/8V-JET BRS	1
▲ 10	579113	SWIVEL, WAND ATTACHMENT	1
▲ 11	579132	RING, ATTACHMENT	1

REF	PART #	DESCRIPTION	QTY.
▲ 12	579135	SCREW, SELF TD UNITED	10
▲ 13	579103	RETAINER, WAND BLADE	2
▲ 14	579239	●BLADE, SQUEEGEE, FRONT	1
▲ 15	579230	●BLADE, SQUEEGEE, REAR	1
▲ 16	579147	SCREW, #6X1-1/2 PANHD SLFTPG	2
▲ 17	579101	HEAD, WAND	1
▲ 18	579102	●BRUSH, WAND TWO ROW	1
▲ 19	579187	CLIP, SPRING	1
▲ 20	150208	FITTING, BRS, STR, PM02 PLUG	1
▲ 21	579109	WAND, SINGLE BEND	1
▲ 22	150510	FITTING, BRS, STR, PF04/BM04	1

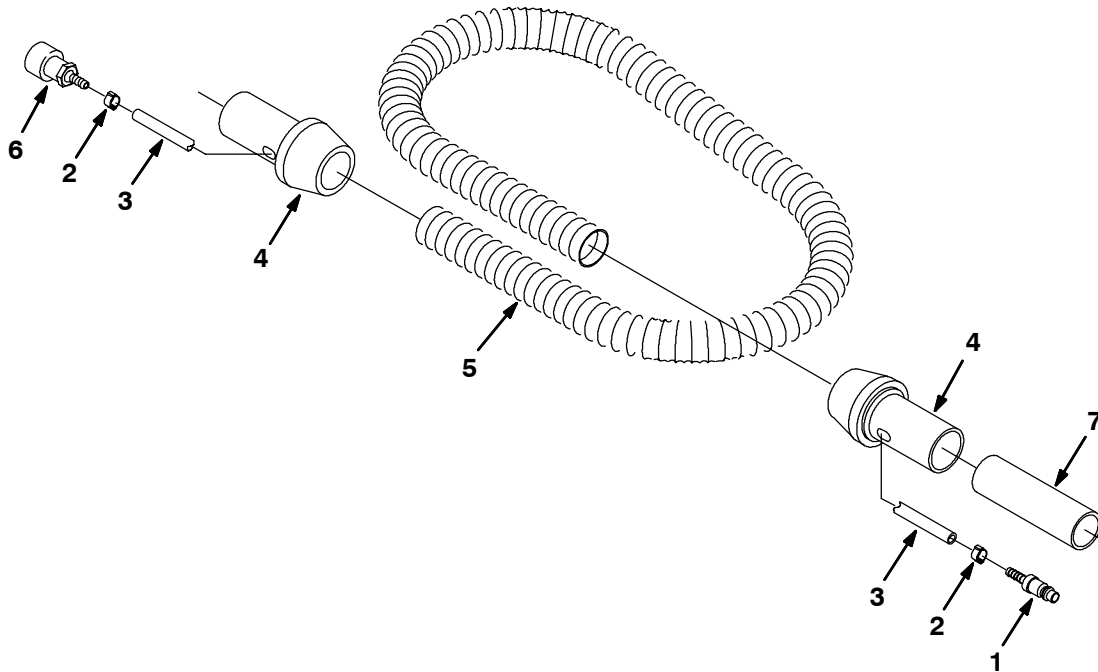
∇ ASSEMBLY / CONJUNTO / ENSEMBLE

▲ INCLUDED IN ASSEMBLY / INCLUIDO EN EL CONJUNTO / Y COMPRIS EN ENSEMBLE

● RECOMMENDED STOCK ITEMS / ARTICULOS RECOMENDADOS PARA MANTENER EN EXISTENCIA / ÉLÉMENTS DE STOCK RECOMMANDÉS

# OPTIONS - OPCIONES - ÉQUIPEMENT AU CHOIX

## POWER WAND HOSE GROUP / CONJUNTO DE LA MANGUERA DEL TUBO ELÉCTRICO / GROUPE TUYAU D'AUXILIAIRE D'EXTRACTION



REF	PART #	DESCRIPTION	QTY.
▽	578903000	●HOSE ASM., POWER WAND	1
▲	1	●FITTING, 3/8M X 1/4H QC	1
▲	2	CLAMP, HOSE 1/2 EAR	2
▲	3	HOSE, .25ID, .44OD, 4.0M LG	1
▲	4	●CUFF, SWIVEL, 1-1/2 BLACK	2

REF	PART #	DESCRIPTION	QTY.
▲	5	HOSE, VAC 1-1/2 X 10' GRAY	1
▲	6	●CONNECTOR, QUICK FEMALE	1
▲	7	TUBE, 1.50" DIA X 5.0" LG	1

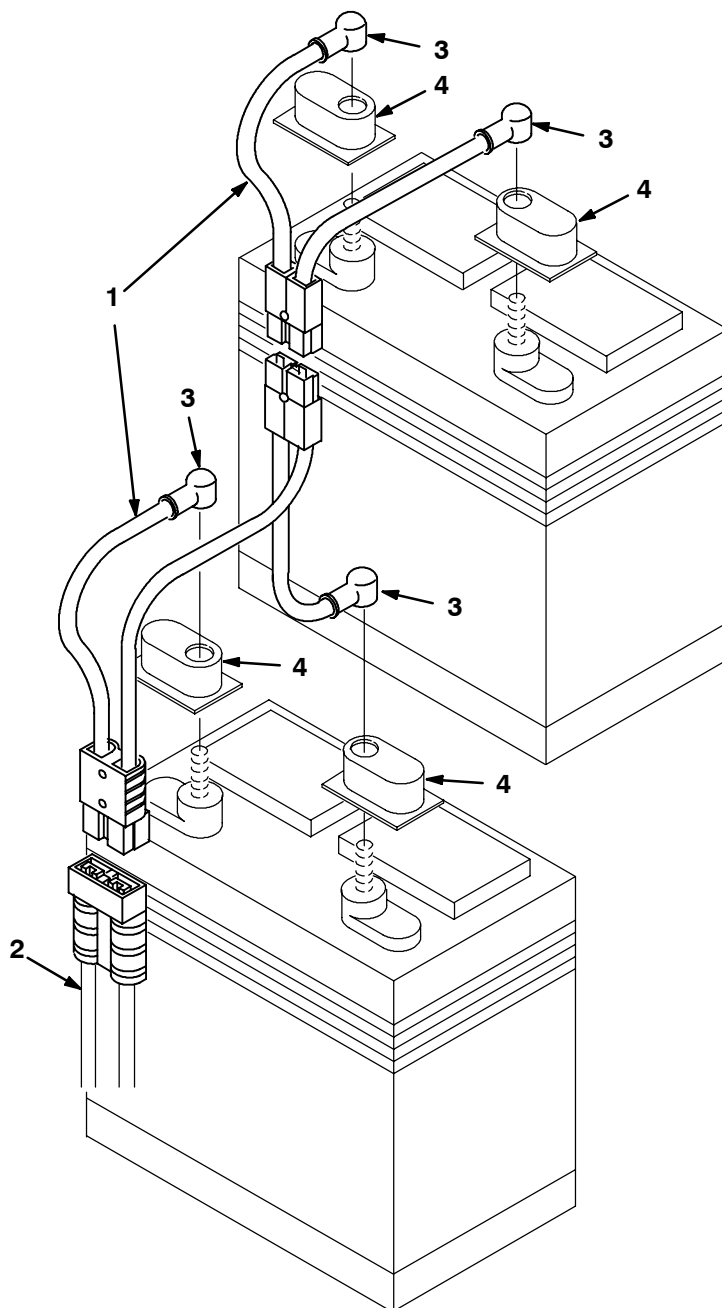
▽ ASSEMBLY / CONJUNTO / ENSEMBLE

▲ INCLUDED IN ASSEMBLY / INCLUIDO EN EL CONJUNTO / Y COMPRIS EN ENSEMBLE

● RECOMMENDED STOCK ITEMS / ARTICULOS RECOMENDADOS PARA MANTENER EN EXISTENCIA / ÉLÉMENTS DE STOCK RECOMMANDÉS

# OPTIONS - OPCIONES - ÉQUIPEMENT AU CHOIX

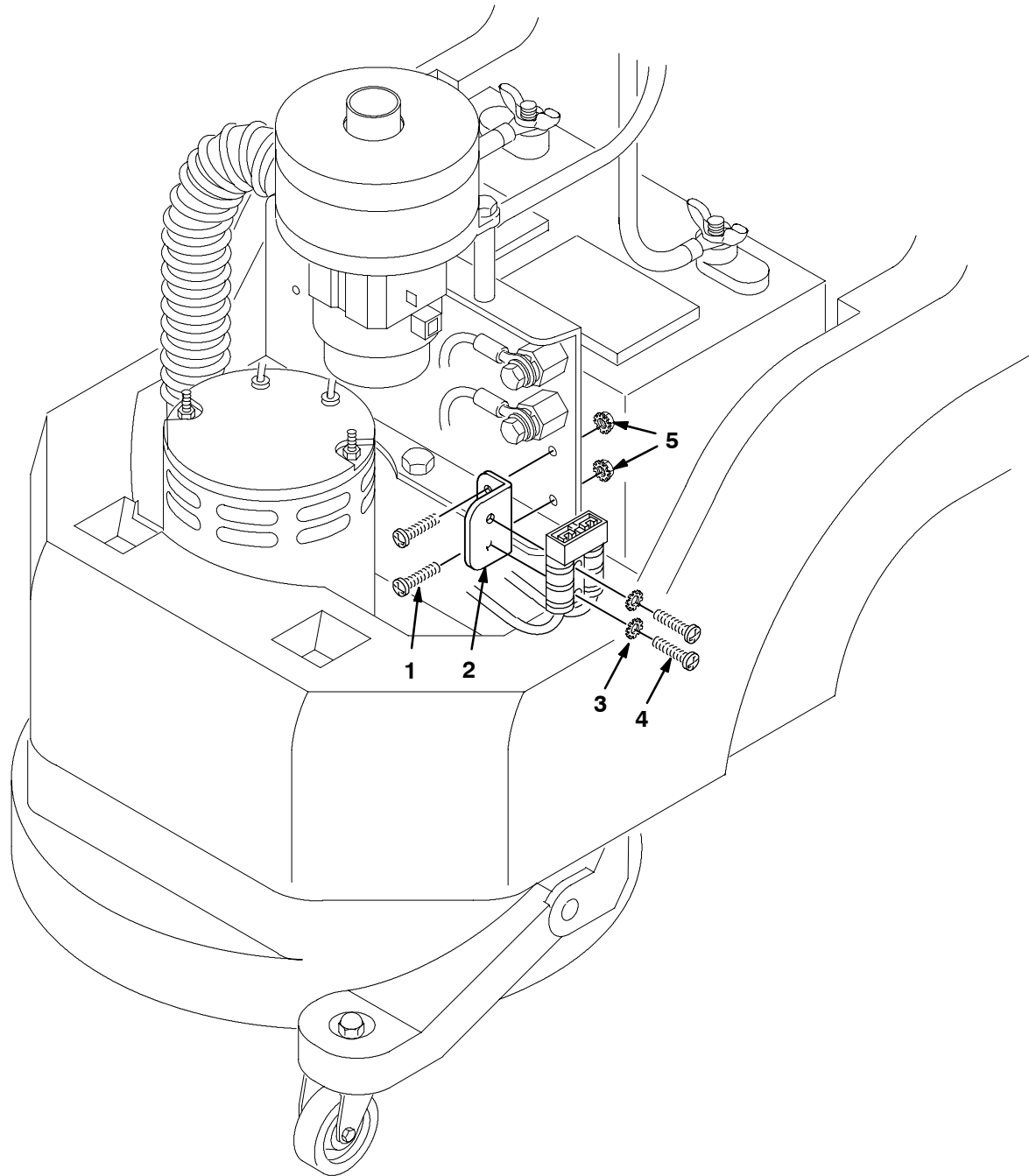
## QUICK CHANGE BATTERY KIT / KIT DE CAMBIO INMEDIATO DE BATERÍA / KIT RAPIDE DE BATTERIE DE CHANGEMENT



REF	PART #	DESCRIPTION	QTY.
▽	604341	●KIT, QUICK CHANGE BATTERY	1
▲ 1	603210	●ASM., CABLE W/RED CONNECT QUICK CHANGE	2
▲ 2	603209	ASM., CABLE W/RED CONNECT QUICK CHANGE	1

REF	PART #	DESCRIPTION	QTY.
▲ 3	611221	●BOOT, BATTERY CABLE BLACK	8
▲ 4	45962	●CAP, BATTERY PLSTC	8

## BATTERY CONNECTOR MOUNT KIT KIT DE MONTAJE DE LOS CONECTORES DE LA BATERÍA / KIT DE BÂTI DE CONNECTEUR DE BATTERIE



REF	PART #	DESCRIPTION	QTY.
∇	606689	●KIT, BATTERY CONNECTOR MOUNT	1
▲ 1	140887	SCREW, 10-24X .38 PAN PHL	2
▲ 2	606688	BRACKET, BATTERY CONNECTOR	1

REF	PART #	DESCRIPTION	QTY.
▲ 3	140019	WASHER, LOCK EXT #06	2
▲ 4	2728.12	SCREW, 6-32 X .75 PAN PHL	2
▲ 5	140519	NUT, KEP 10-24	2